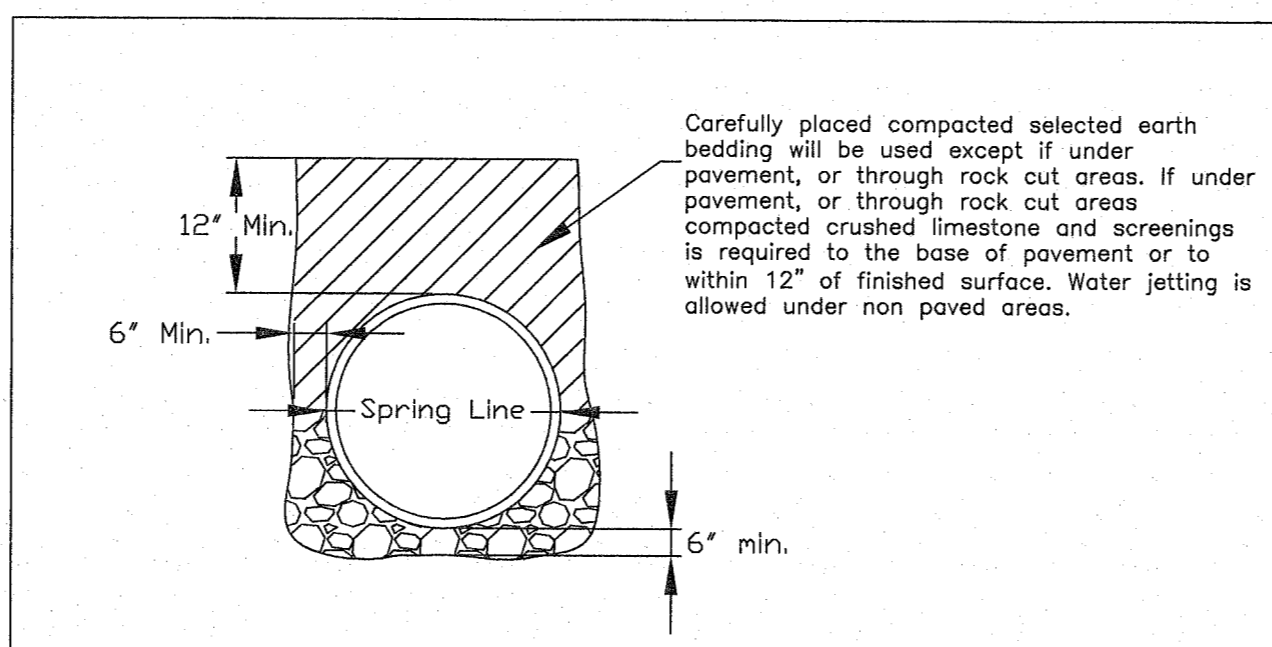


CITY OF O'FALLON
 ENGINEERING DEPARTMENT
 O'FALLON, MISSOURI

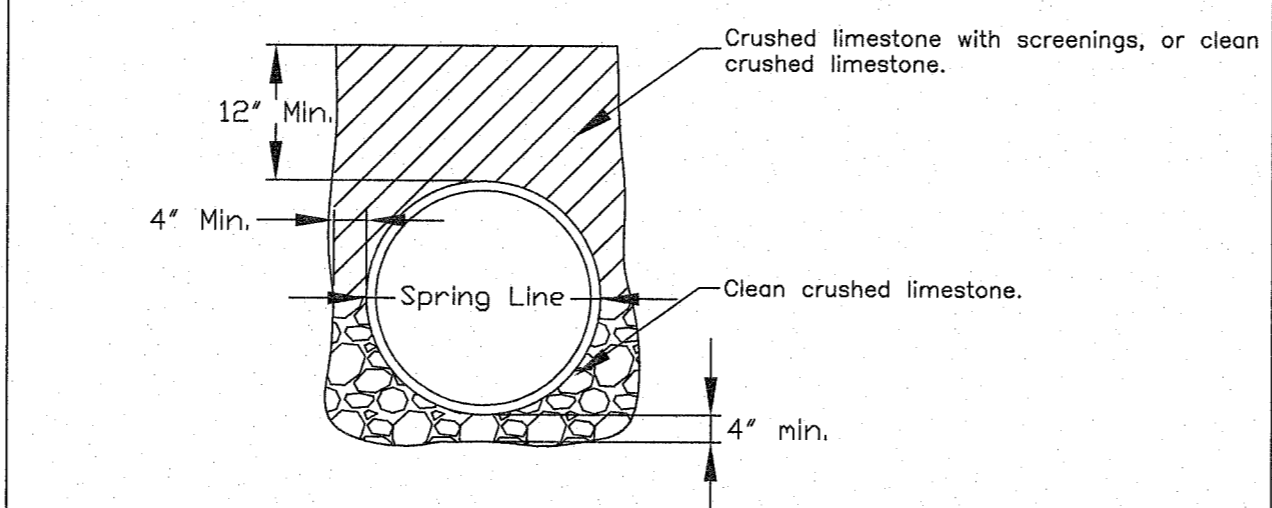
CLASS A UNDERDRAINS

* All other Storm or Sanitary Sewer Details will be by M.S.D. Standards and Specifications.
 ** All inlets shall have 5/8" trash bar centered with the opening(s).



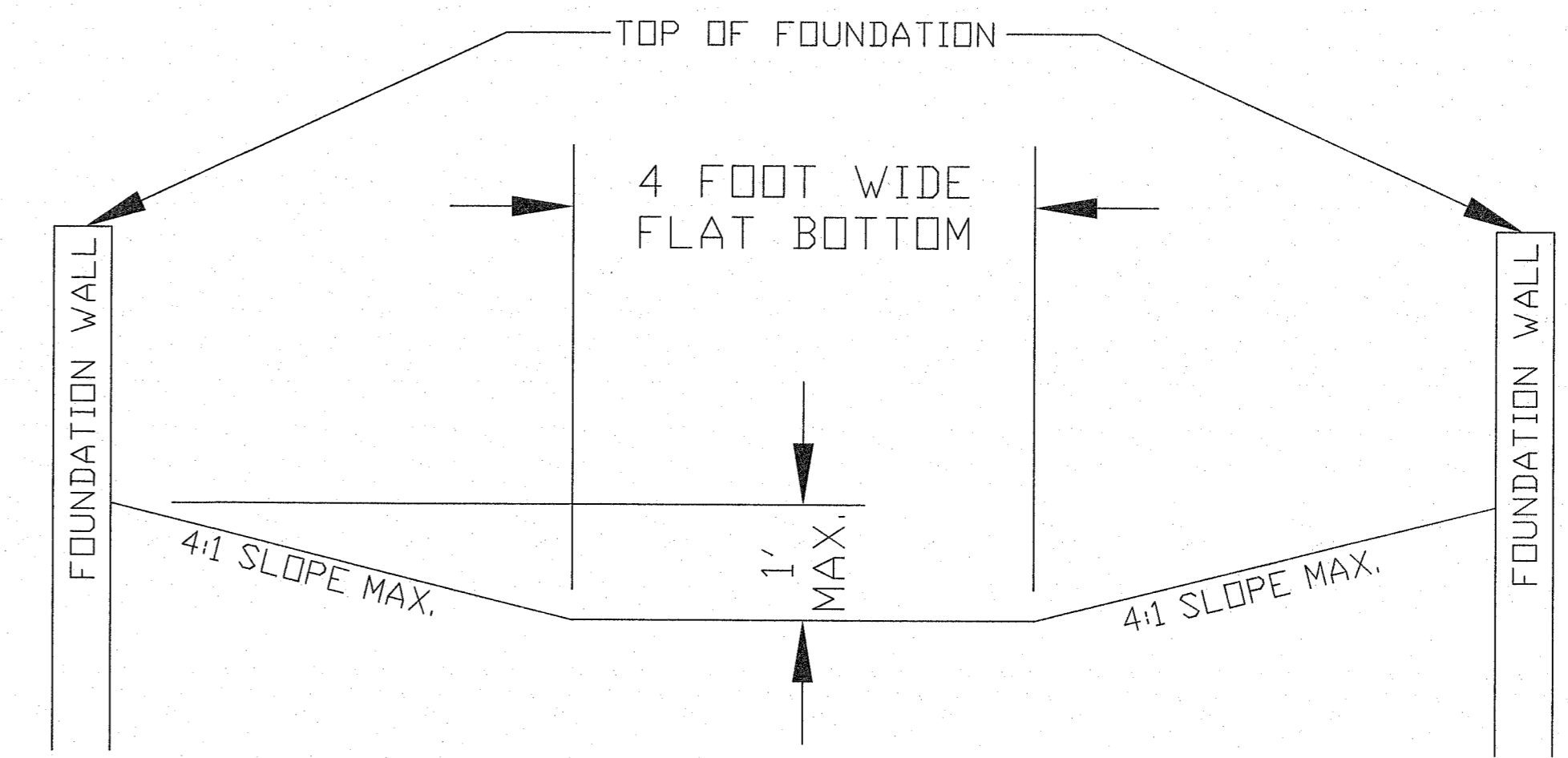
CITY OF O'FALLON
 ENGINEERING DEPARTMENT
 O'FALLON, MISSOURI

STORM SEWER TRENCH DETAIL



CITY OF O'FALLON
 ENGINEERING DEPARTMENT
 O'FALLON, MISSOURI

SANITARY SEWER TRENCH DETAIL



TYPICAL EMERGENCY RELIEF PATH SECTION
 N.T.S.

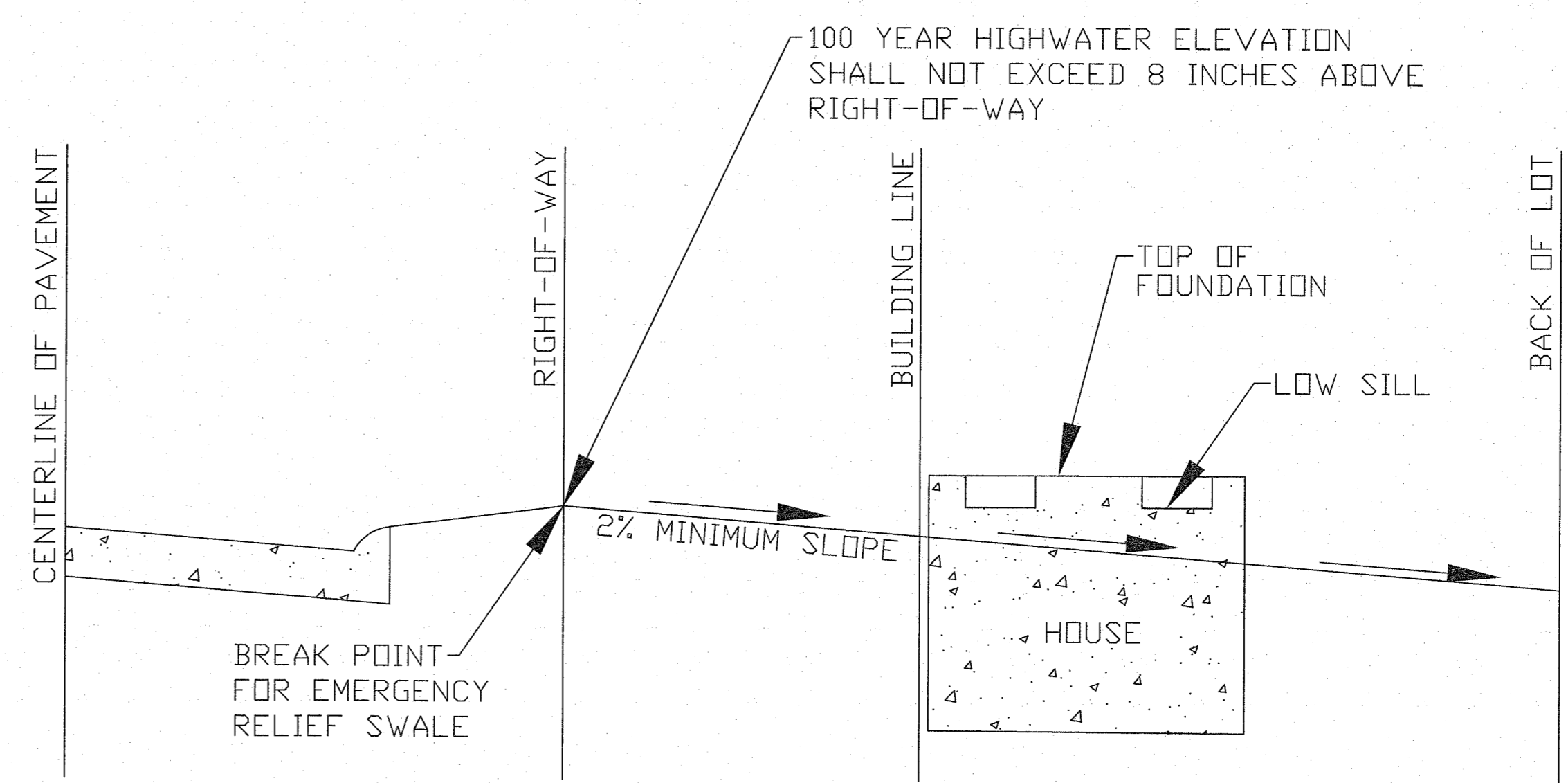
NOTE:
 THE 100 YEAR STORM WATER FLOW SHALL NOT EXCEED THE LOW SILL ELEVATION OF THE HOUSE OR WINDOW WELLS WILL BE REQUIRED.

Public inlets only.

Also available at East Jordan foundry

MATERIAL: CAST GRAY IRON ASTM A-48, CLASS 35B
 FINISH: NO PAINT UNLESS SPECIFIED ON PURCHASE ORDER
 WEIGHT: 85 LBS.

DR. KRH	SCALE: TRENCH	4580
DL	1/8"=1'	COVER
APP.	NEENAH FOUNDRY	
DATE: 11/21/2013	NEENAH FOUNDRY	NF-4580-272B
	PHONE: 920-250-2019	
	FAX: 920-250-7489	
	WWW.NEENAHFOUNDRY.COM	



TYPICAL EMERGENCY RELIEF PATH PROFILE
 N.T.S.

* The City of O'Fallon must be provided with a symbol/medallion for review and approval prior to installation. Contact the City if any information is needed.

Size	Style	Adhesive	Message (Part #)
3 7/8" TO 4"	Crystal Cap or Standard Style	Epoxy	No Dumping Drains to Waterway

City will also allow the precast inlet stone with a similar message as an approved alternate to the marker.

PLAN VIEW OF CURB INLET
 PLAN VIEW OF AREA INLET

Public or Private inlets

CITY OF O'FALLON
 ENGINEERING DEPARTMENT
 O'FALLON, MISSOURI

STORM DRAIN MARKER LOCATION

PROJECT TITLE:
WYNDGATE MEADOWS

ENGINEERING PLANNING SURVEYING
 221 Point West Blvd.
 St. Charles, MO 63301
 636-928-6562
 FAX 636-928-1718

DISCLAIMER OF RESPONSIBILITY
 I hereby specify that the documents intended to be authenticated by my seal are limited to this sheet, and I hereby disclaim any responsibility for all other drawings, specifications, estimates, reports or other documents or instruments relating to or intended to be used for any part or parts of the architectural or engineering project or survey.

REVISIONS

DATE	BY	DESCRIPTION
08/08/19	D.C.S.D. P.W.S.D. #2	& CLIENT COMMENTS
08/30/19	D.C.S.D. P.W.S.D. #2	& CITY COMMENTS
09/25/19	D.C.S.D. P.W.S.D. #2	& CITY COMMENTS
10/22/19	CITY COMMENTS	
11/08/19	CITY COMMENTS	
11/22/19	CITY COMMENTS	

Developer / Owner:
 STRAQR, L.L.C.
 9645 Clayton Road
 St. Louis, MO 63124
 314-667-9400

REFERENCE DETAILS

P+Z No. #18-012166
 Approval Date: 06/27/2019
 City No. #RSP-19-000010

Page No.
 19 of 25

ENGINEERS SEAL DOES NOT APPLY TO CITY OF O'FALLON DETAILS ON THIS SHEET.