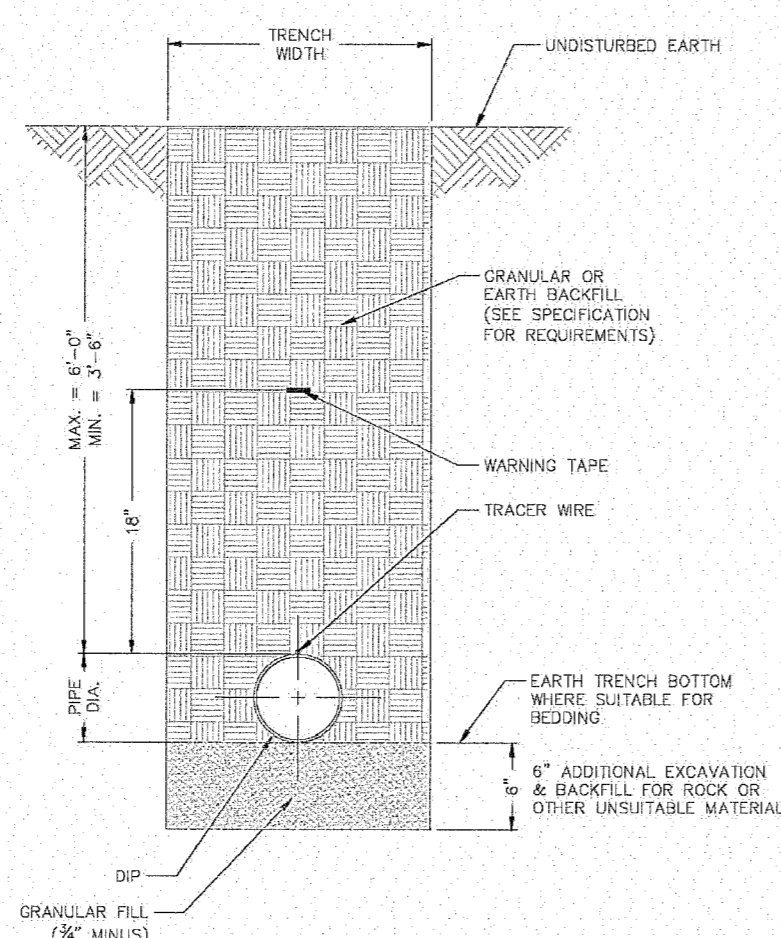
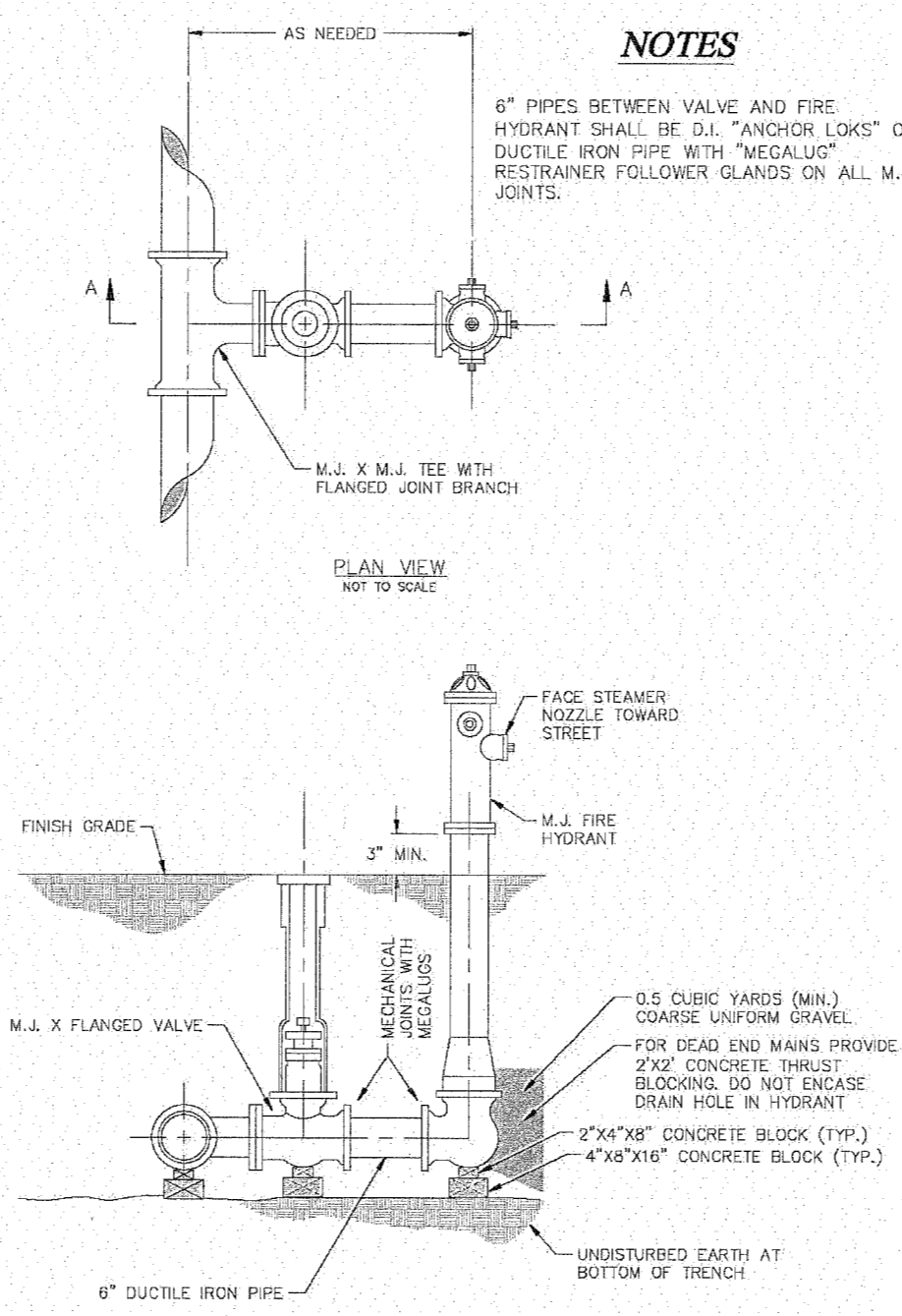


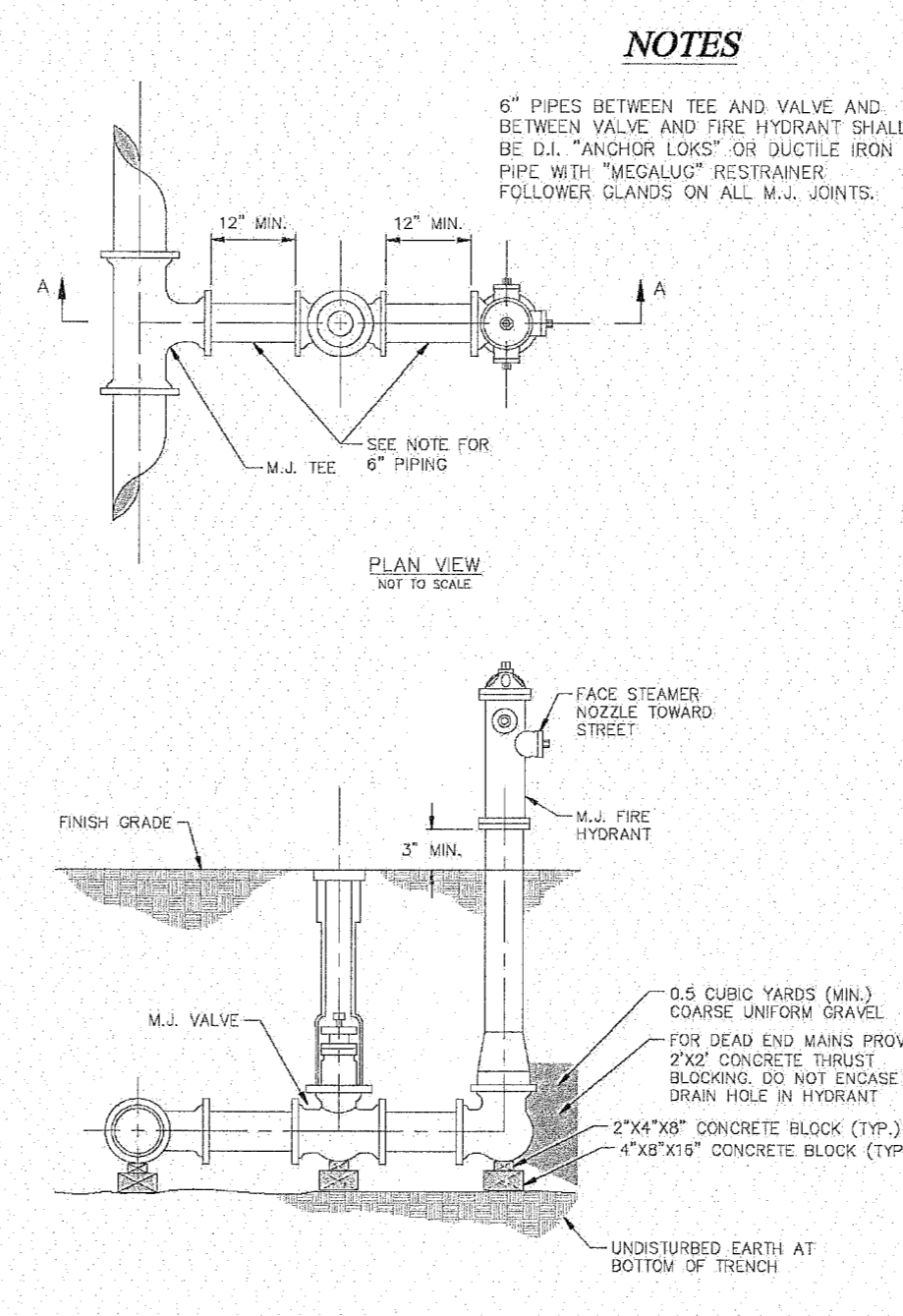
NOTES
1) SEE SPECIFICATIONS FOR ADDITIONAL DETAILS FOR BEDDING AND BACKFILL.
TYPICAL TRENCH SECTION FOR PVC PIPE
NOT TO SCALE
DETAIL "A"
PAGE 1 OF 2



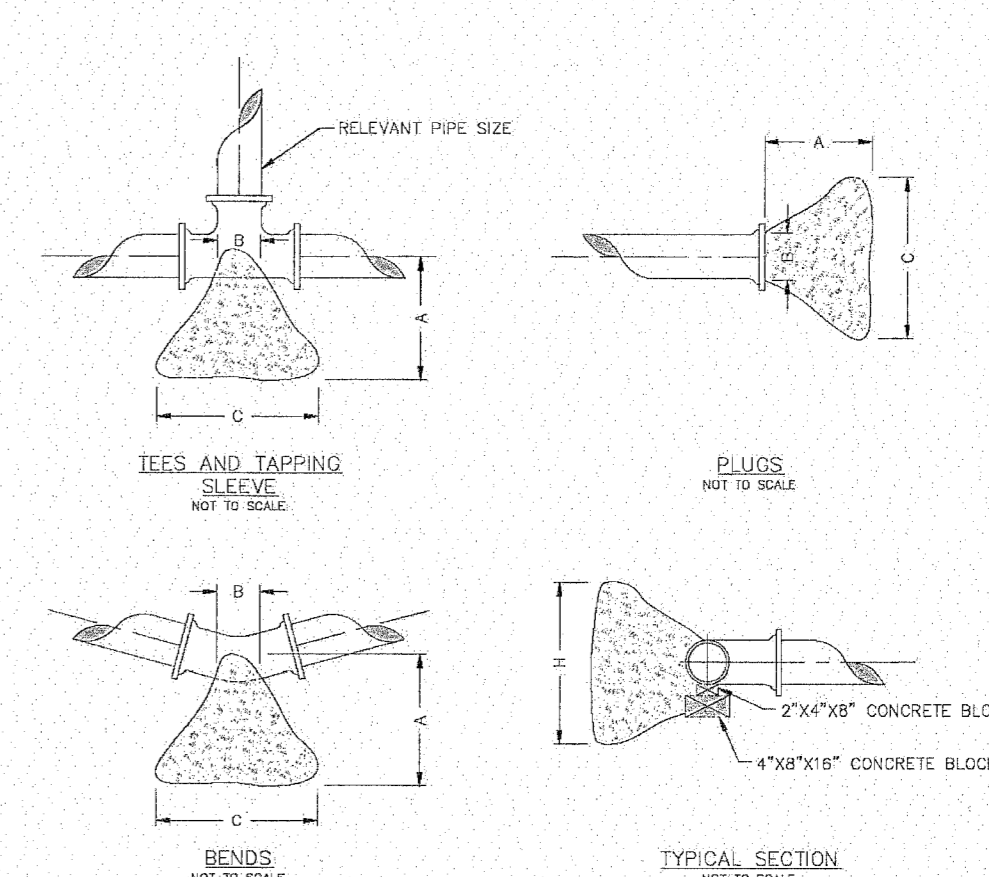
NOTES
1) POLYWRAP REQUIRED FOR DUCTILE IRON PIPE
2) SEE SPECIFICATIONS FOR ADDITIONAL DETAILS FOR BEDDING AND BACKFILL.
TYPICAL TRENCH SECTION FOR DUCTILE IRON PIPE
NOT TO SCALE
DETAIL "A"
PAGE 2 OF 2



NOTES
6" PIPES BETWEEN VALVE AND FIRE HYDRANT SHALL BE D.I. "ANCHOR LOCKS" OR DUCTILE IRON PIPE WITH "MEGALUG" RESTRAINER FOLLOWER GLANDS ON ALL M.J. JOINTS.
PLAN VIEW
NOT TO SCALE
SECTION "A-A"
NOT TO SCALE
FIRE HYDRANT DETAIL
DETAIL "B"
PAGE 1 OF 3



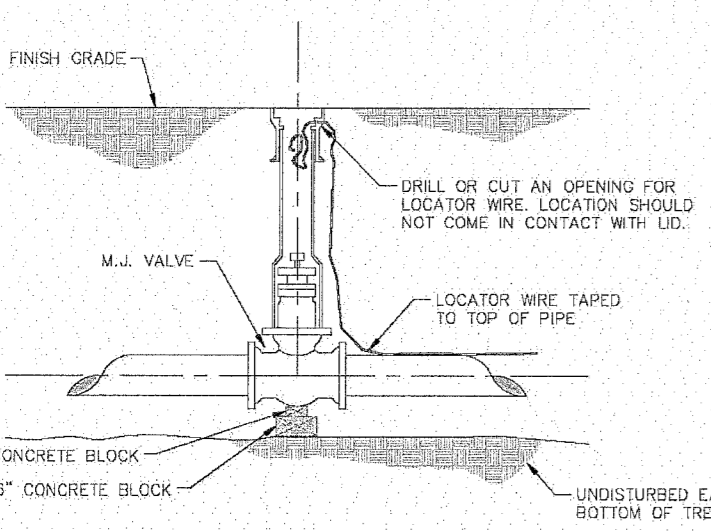
NOTES
6" PIPES BETWEEN TEE AND VALVE AND BETWEEN VALVE AND FIRE HYDRANT SHALL BE D.I. "ANCHOR LOCKS" OR DUCTILE IRON PIPE WITH "MEGALUG" RESTRAINER FOLLOWER GLANDS ON ALL M.J. JOINTS.
PLAN VIEW
NOT TO SCALE
SECTION "A-A"
NOT TO SCALE
FIRE HYDRANT DETAIL
DETAIL "B"
PAGE 2 OF 3



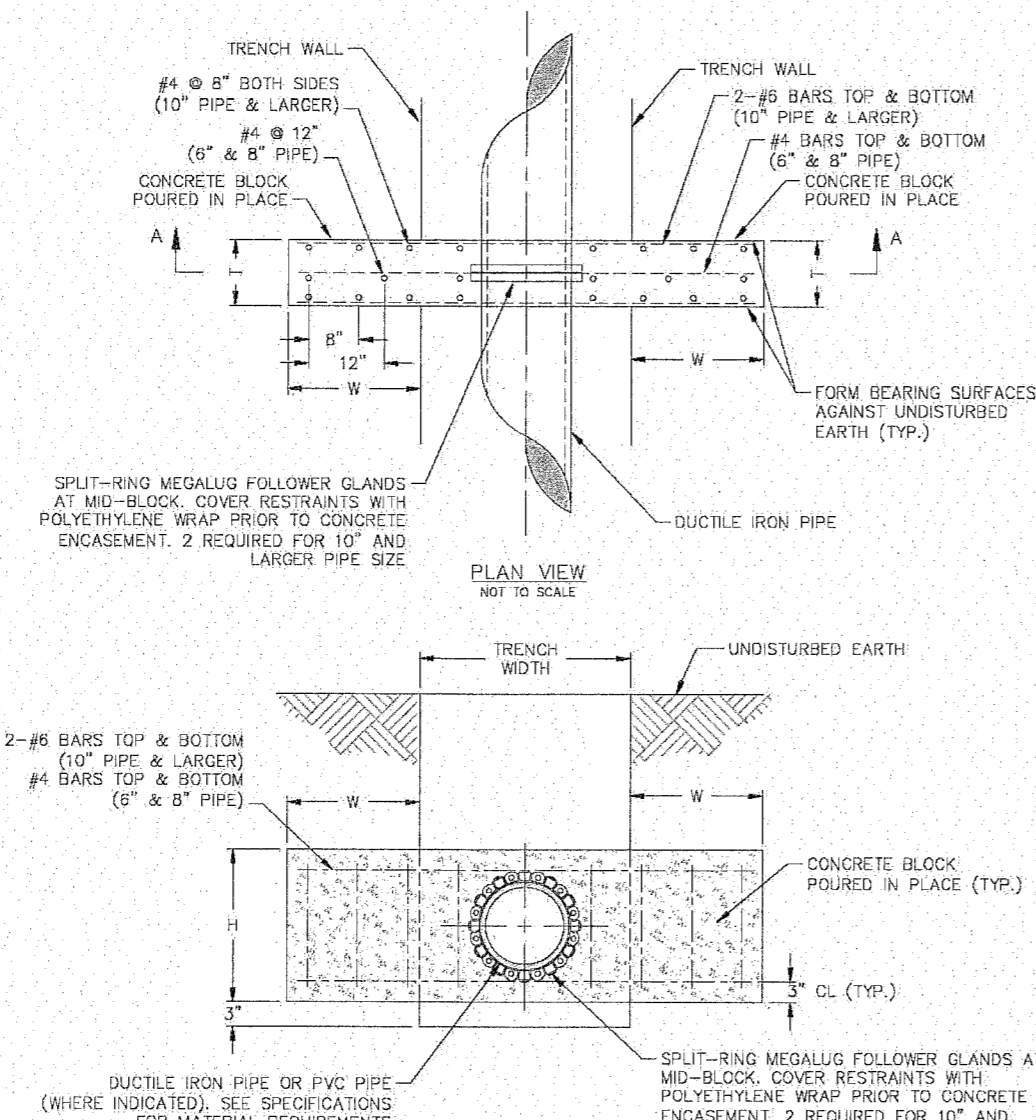
THRUST BLOCK DIMENSIONS - INCHES

PIPE DIA.	ALL FTGS.	TEE PLUG TAPPING		90 DEGREE BEND		45 DEGREE BEND		22-1/2 BEND		11-1/4 BEND	
		A	B	C	H	C	H	C	H	C	H
4	14	4	24	12	26	15	18	12	12	12	12
6	16	6	30	15	36	24	30	18	24	18	12
8	20	8	36	30	42	36	36	24	24	18	12
10	20	10	48	36	66	36	36	28	24	18	18
12	24	12	66	36	82	42	62	36	40	24	28

NOTE
FOR FITTINGS LARGER THAN 12", SPECIAL RESTRAINT DESIGNS ARE REQUIRED.
HORIZONTAL THRUST BLOCKING
DETAIL "C"



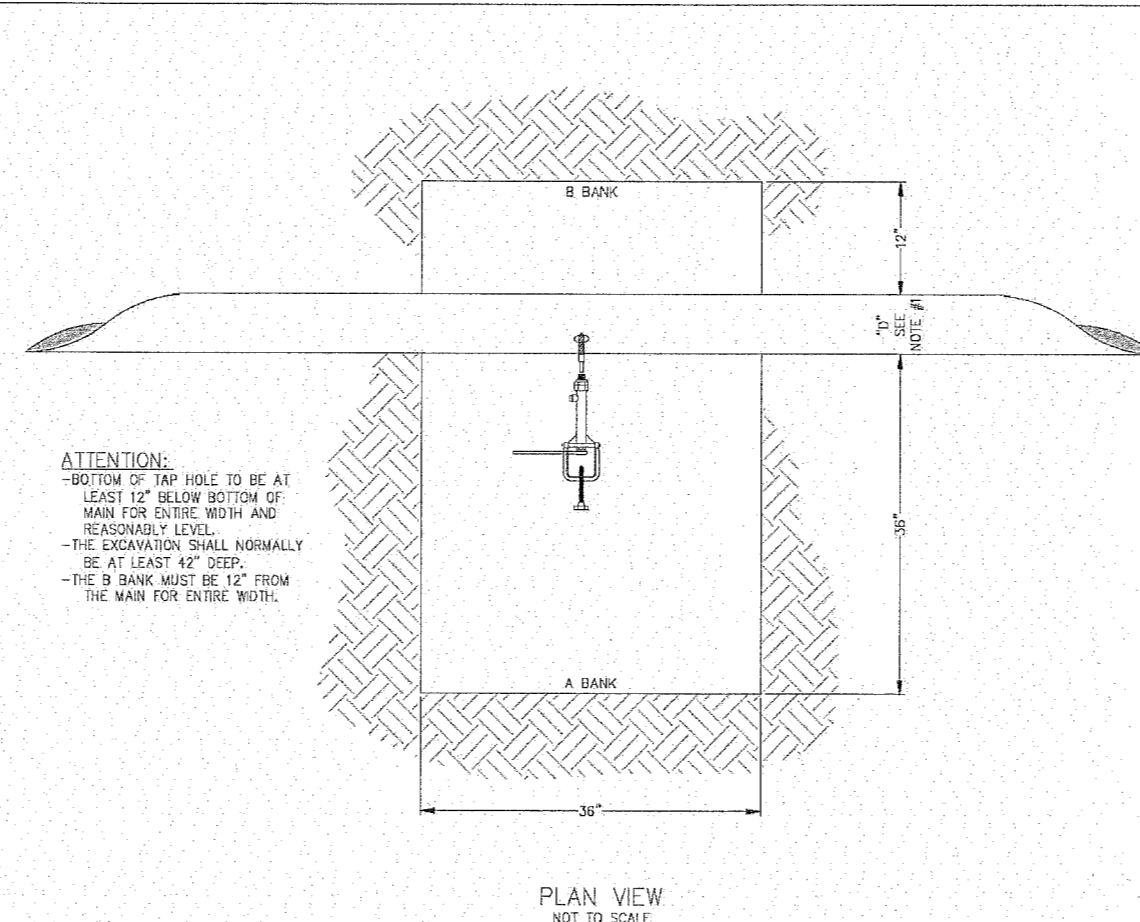
GATE VALVE DETAIL
DETAIL "D"
NOT TO SCALE



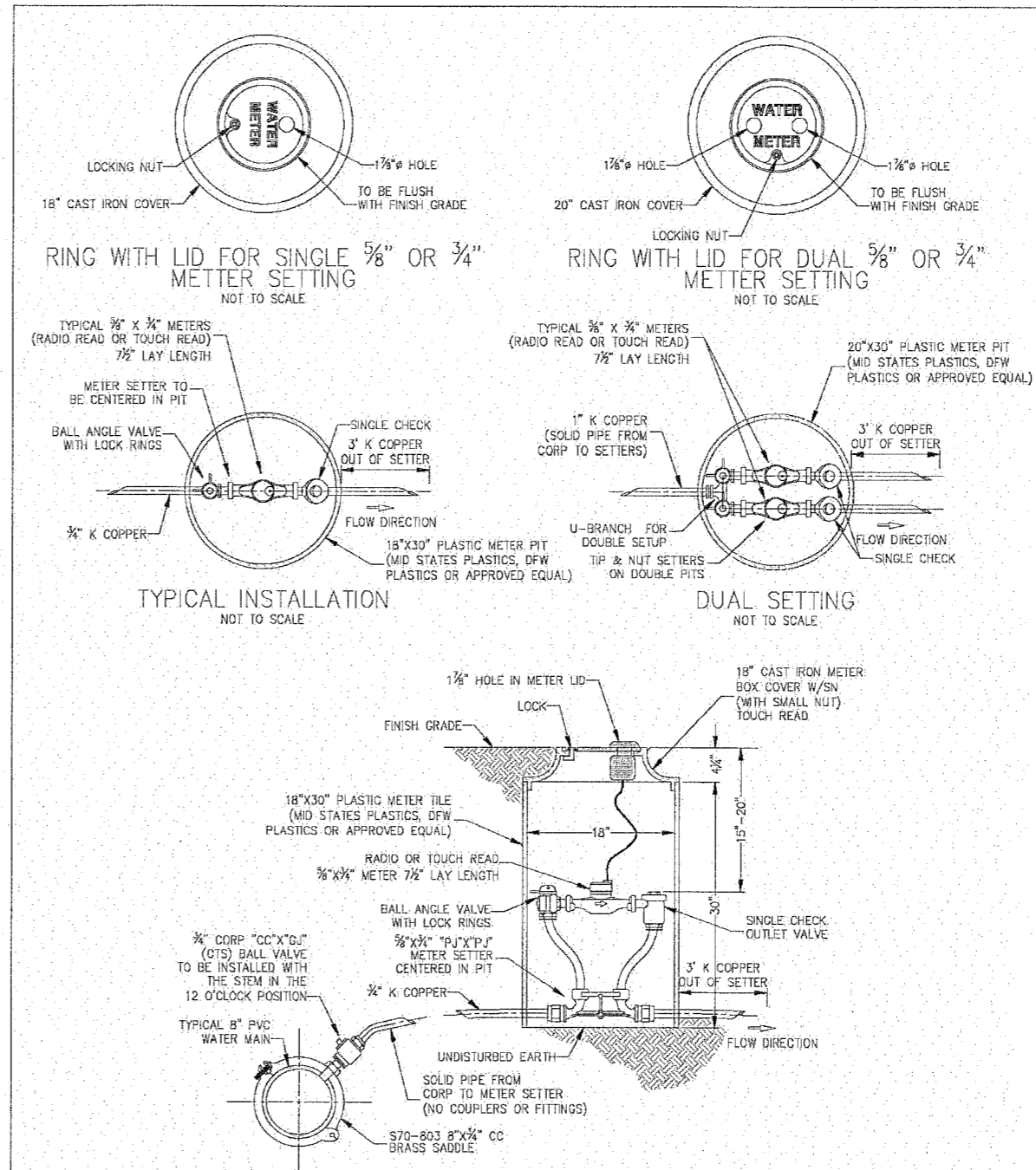
NOTES
1) CONSTRUCT CROSS BLOCKS AT A MINIMUM OF 15' FROM CONNECTION POINT AND 5' FROM THE BELL END OF PIPE.
2) CROSS BLOCKS SHALL BE PRE-POURED PRIOR TO SHUTDOWN AND CONNECTIONS.
CROSS BLOCK DIMENSIONS

PIPE DIA. (")	WIDTH (")	HEIGHT (")	THICKNESS (")
4	12	12	12
6	24	24	12
8	24	24	12
10	30	30	16
12	36	36	16

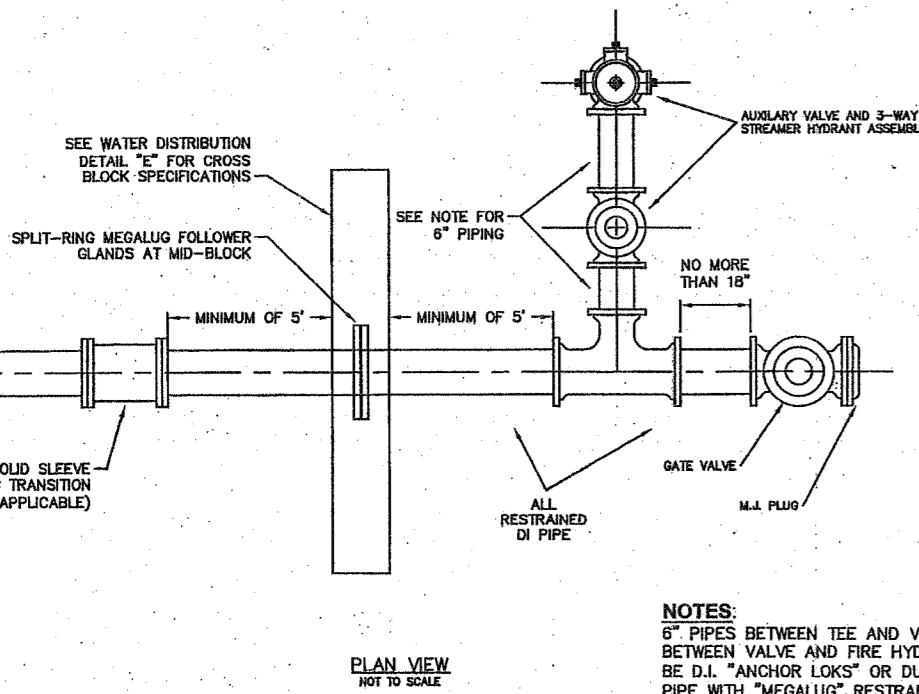
CROSS BLOCK
DETAIL "E"
NOT TO SCALE



TYPICAL 3/4-1" SERVICE CONNECTIONS TAP HOLE DIMENSIONS
DETAIL "A"
NOT TO SCALE
PUBLIC WATER SUPPLY DISTRICT #2 OF SAINT CHARLES COUNTY



TYPICAL 3/4" RESIDENTIAL WATER SERVICE
DETAIL "B"
NOT TO SCALE
PUBLIC WATER SUPPLY DISTRICT #2 OF SAINT CHARLES COUNTY

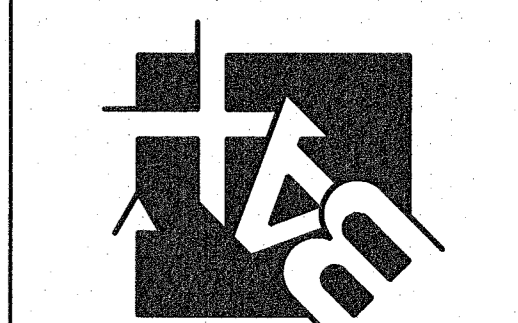


WATER MAIN TERMINATION DETAIL
NOT TO SCALE

ENGINEERS SEAL DOES NOT APPLY TO DETAILS ON THIS SHEET.

PROJECT TITLE:
WYNDGATE MEADOWS

ENGINEERING PLANNING SURVEYING
21 Point West Blvd
St. Charles, MO 63801
636-928-6662
FAX 636-928-1718



DISCLAIMER OF RESPONSIBILITY
I hereby specify that the documents intended to be authorized by my seal are limited to this sheet, and I hereby disclaim any responsibility for all other drawings, specifications, estimates, reports or other documents or instruments relating to or intended to be used for any part or parts of the architectural or engineering project or survey.

REVISIONS

DATE	DESCRIPTION
08/08/19	D.C.S.D. P.W.S.D. #2 CITY COMMENTS
08/30/19	D.C.S.D. P.W.S.D. #2 & CITY COMMENTS
09/25/19	CITY COMMENTS
10/22/19	CITY COMMENTS
11/08/19	CITY COMMENTS
11/22/19	CITY COMMENTS

Developer / Owner:
STRAOR, L.L.C.
9645 Clayton Road
St. Louis, MO 63124
314-667-9400

P+Z No. #18-012166
Approval Date: 06/27/2019

City No. #RSP-19-000010

Page No. 22 of 25

WATER DETAILS

Issue Date: 07/09/2019