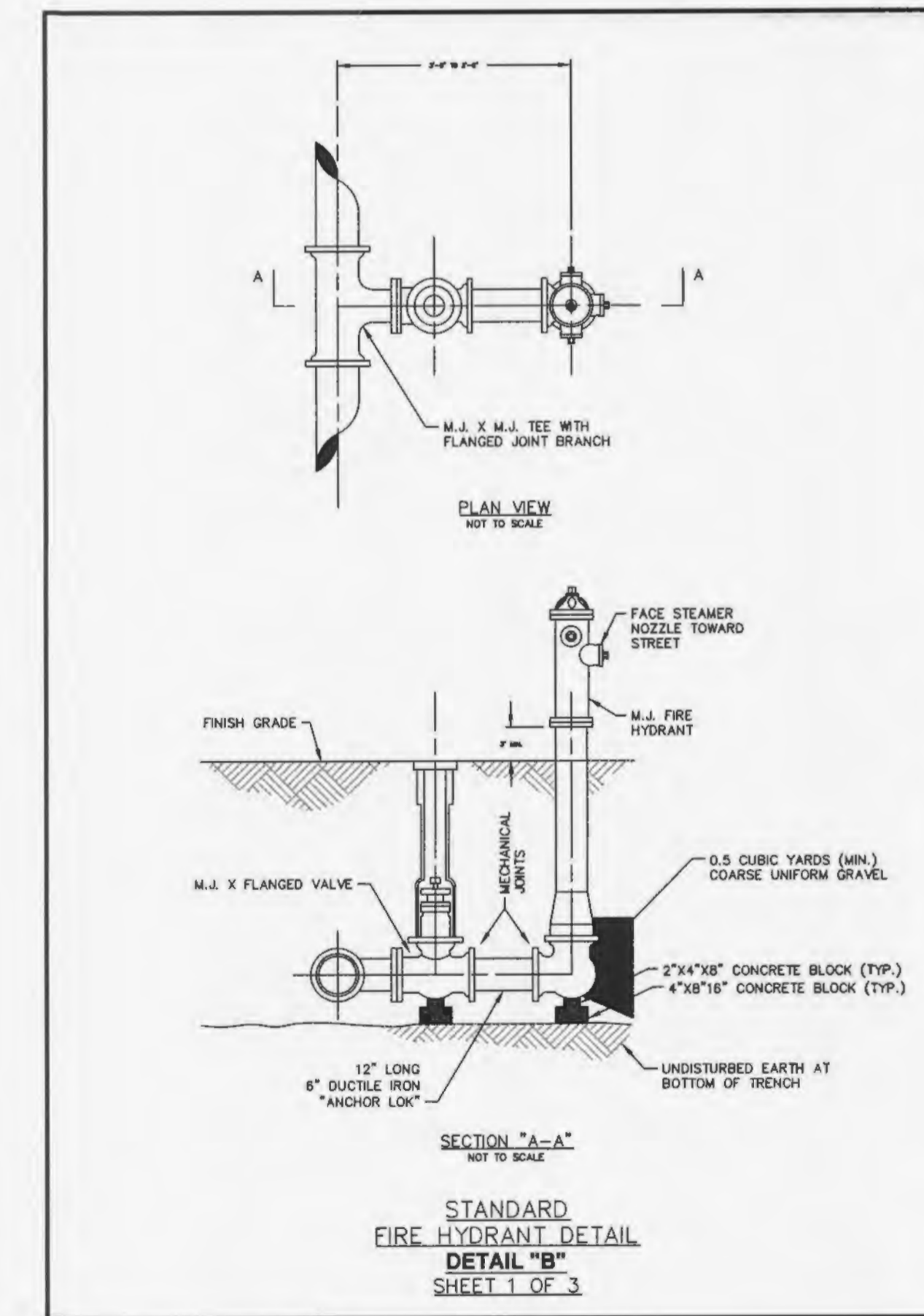
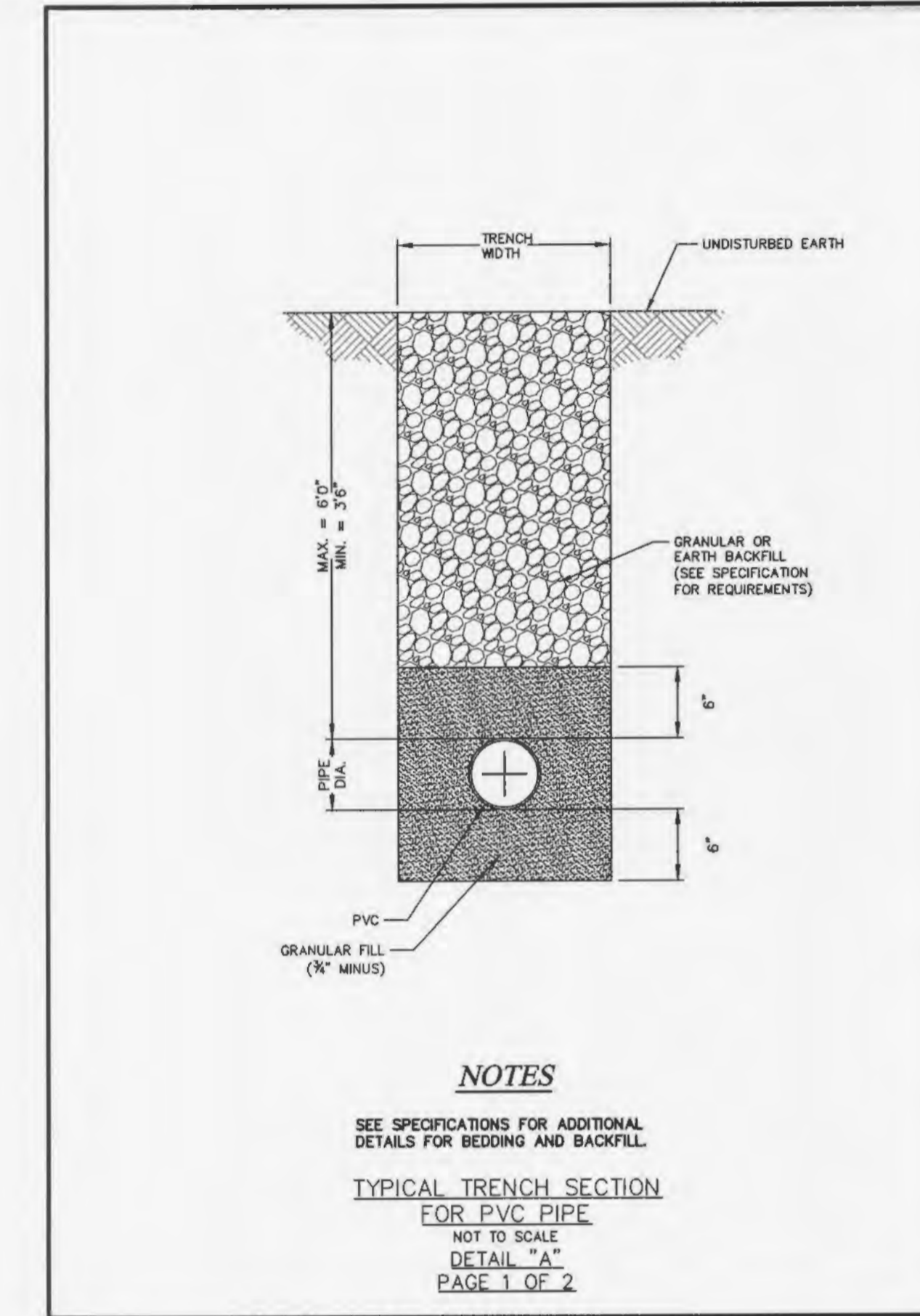
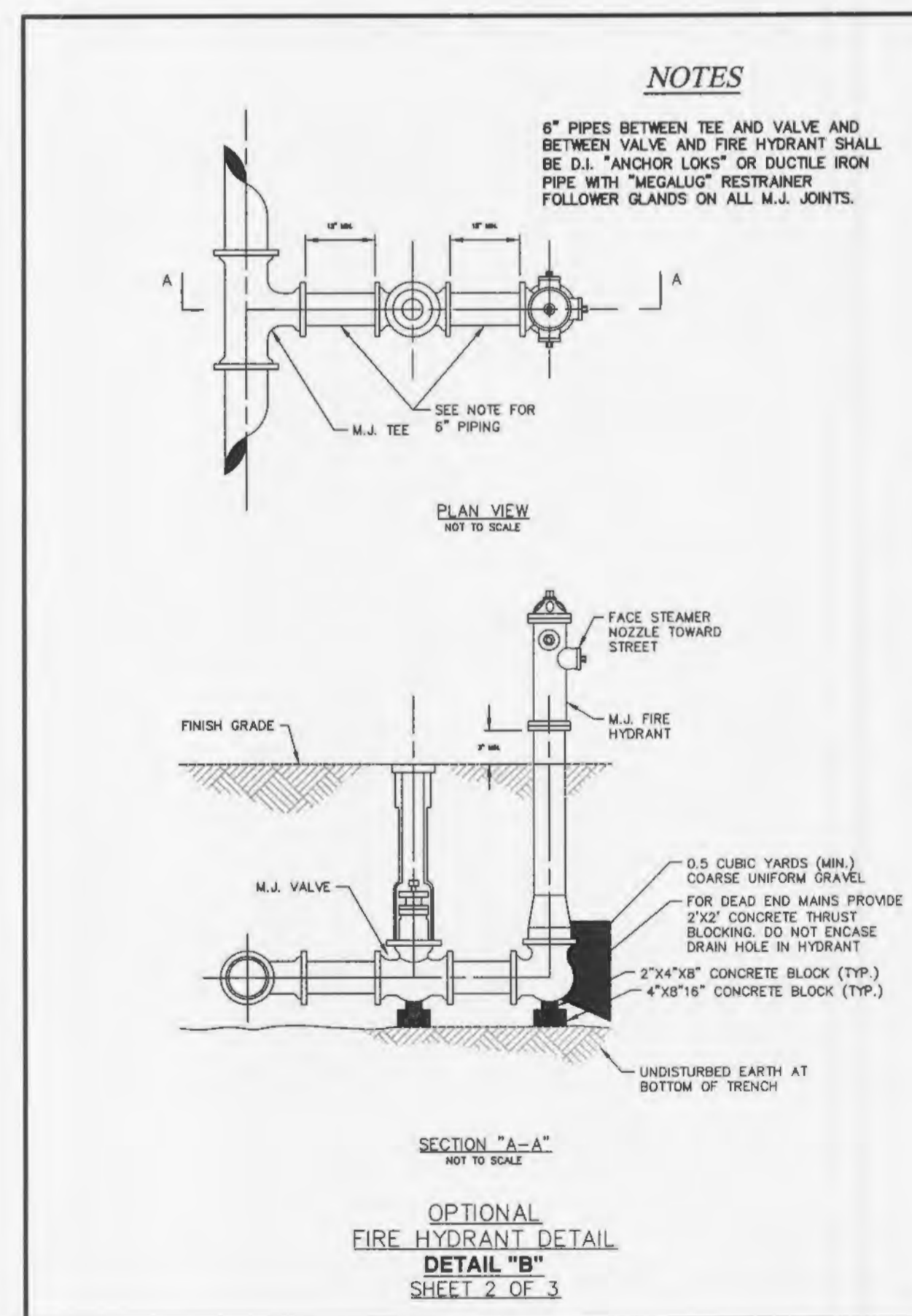
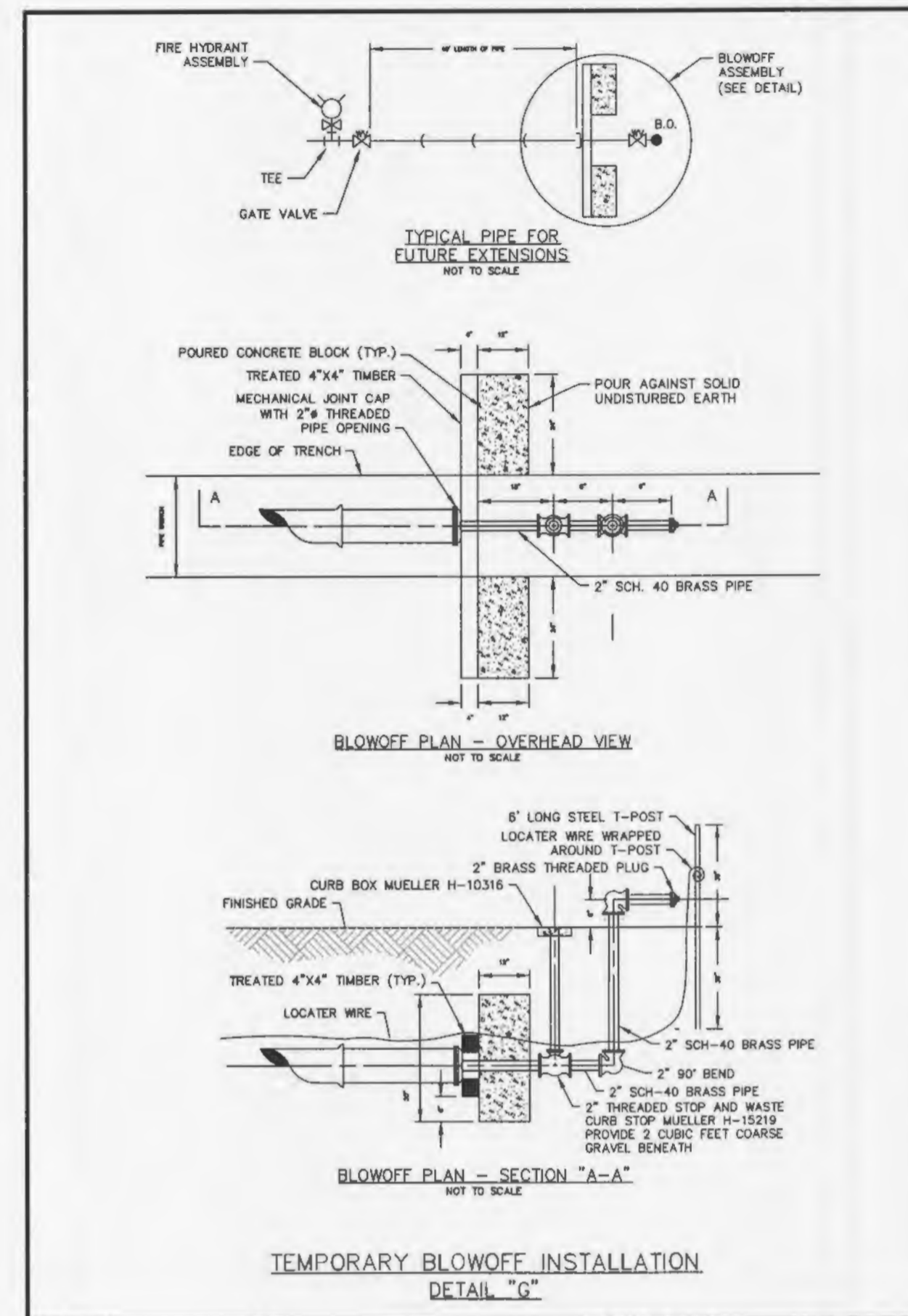


DIMENSIONS FOR VERTICAL BENDS (IN INCHES)
DETAIL "D"
PAGE 2 OF 2

PIPE SIZE	DEGREE BEND	DOWN BENDS			UP BENDS		
		W	H	L	W	H	L
4"	11-1/4°	18	12	18	12	12	12
	22-1/2°	18	18	24	12	12	12
	45°	18	18	30	12	12	18
6"	11-1/4°	24	18	18	12	12	12
	22-1/2°	24	18	24	12	12	12
	45°	24	18	48	12	12	18
8"	11-1/4°	24	18	24	12	12	18
	22-1/2°	24	18	42	12	12	24
	45°	24	18	48	18	12	24
10"	11-1/4°	30	24	24	18	18	18
	22-1/2°	30	24	42	18	18	24
	45°	30	24	72	18	18	36
12"	11-1/4°	30	24	30	18	18	18
	22-1/2°	30	24	54	18	18	30
	45°	30	36	72	24	18	36



PROJECT TITLE
WYNDGATE VILLAGE B
PLAT TWO

PICKETT, RAY & SILVER, INC.
CIVIL ENGINEERING, LAND SURVEYING,
AND NATURAL RESOURCES SERVICES
110 West...
St. Charles, MO 63075
Phone (636) 397-1211 Fax (636) 397-1104
www.prs.com 1-800-708-5916

DESIGNER AUTHENTICATION
THE RESPONSIBILITY FOR PROFESSIONAL ENGINEERING LIABILITY ON THIS PROJECT IS HEREBY LIMITED TO THE SET OF PLANS AUTHENTICATED BY THE SEAL, SIGNATURE, AND DATE HEREON ATTACHED. RESPONSIBILITY IS DISCLAIMED FOR ALL OTHER ENGINEERING PLANS INVOLVED IN THIS PROJECT AND SPECIFICALLY EXCLUDED REASONS AFTER THIS DATE UNLESS REAUTHENTICATED.

PICKETT, RAY & SILVER, INC.
NO LICENSE 600005

DEVELOPER / OWNER INFORMATION
McBride Wyndgate, LLC
16091 Swingley Ridge Road, Suite 300
Chesterfield, Missouri 63075

CITY OF OFALLON - PWS No. 2 of St. Charles County Details

P+Z No. 3203
City No.
Page No.
22 of 24