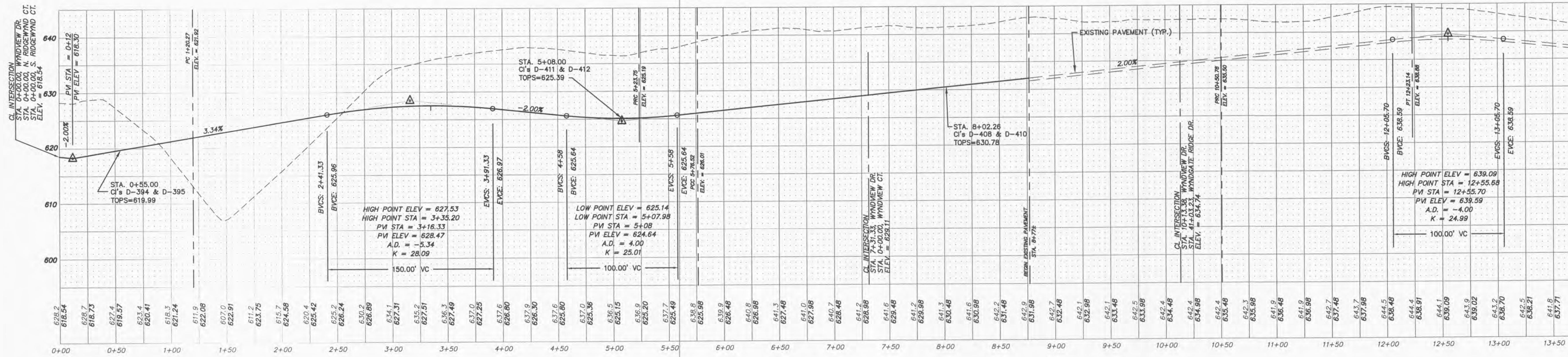
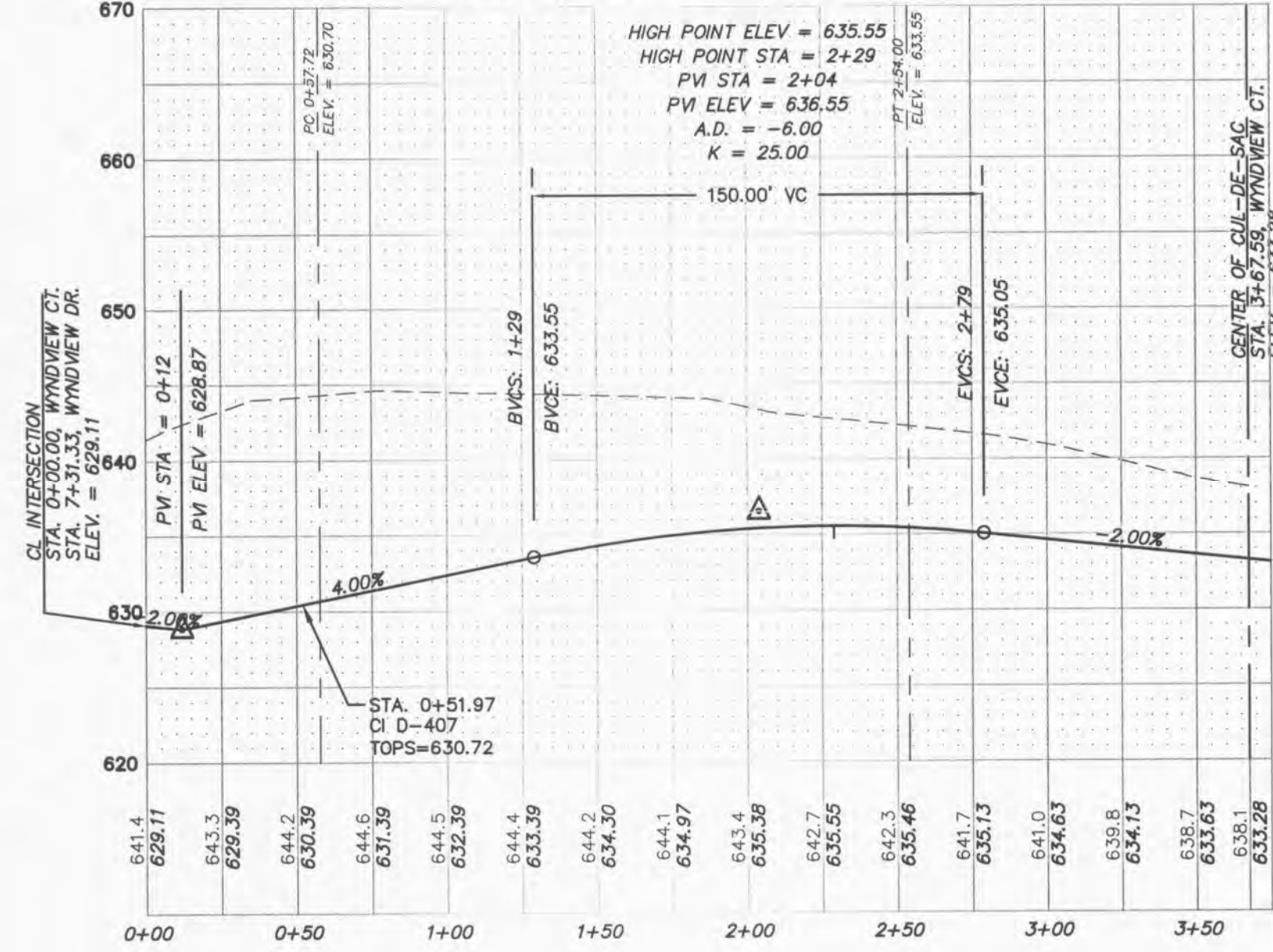


SCALE: 1"=50' HORIZONTAL
1"=10' VERTICAL

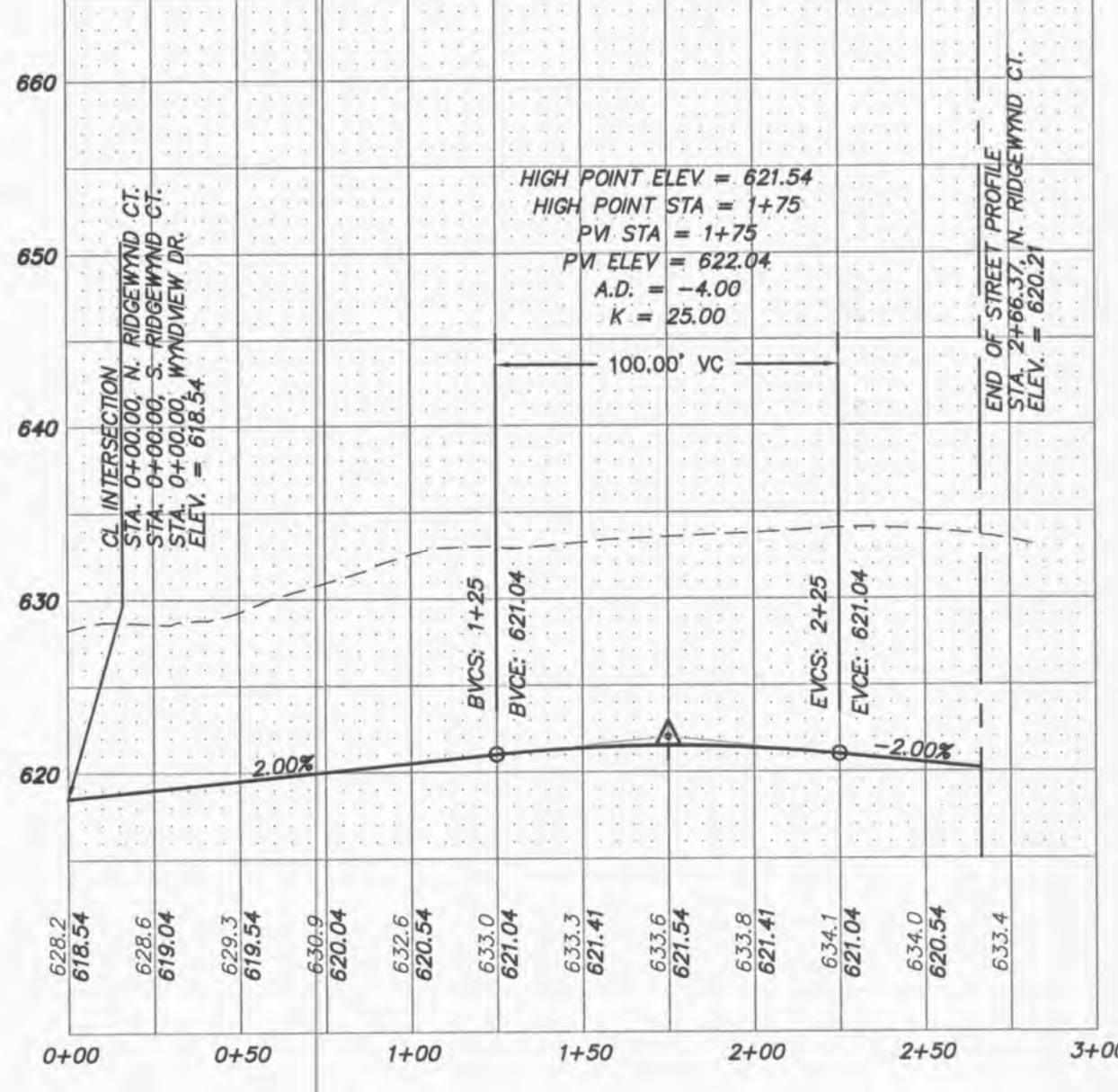
WYNDVIEW DRIVE



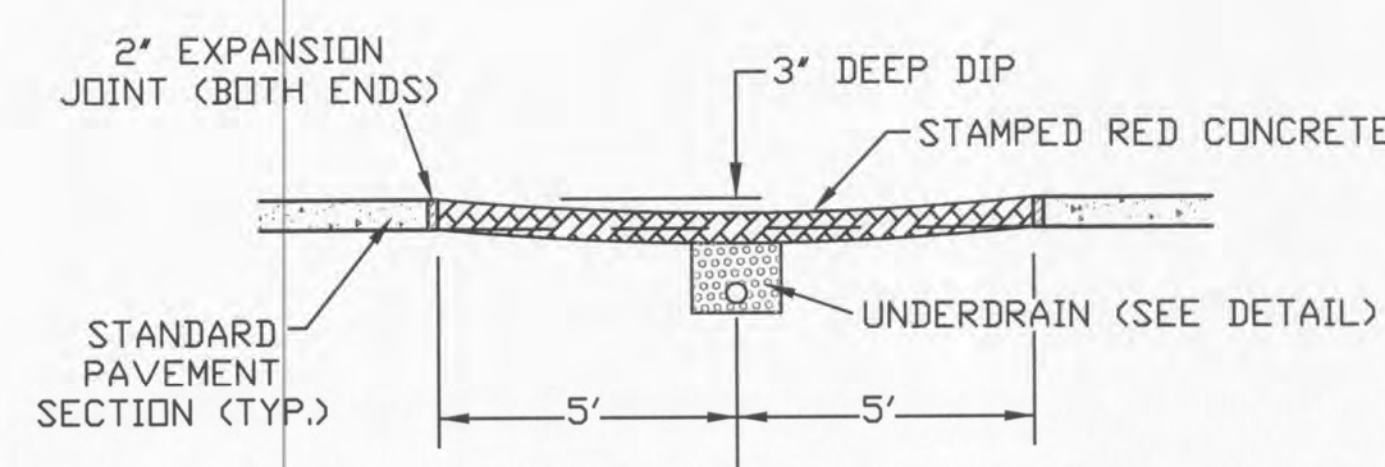
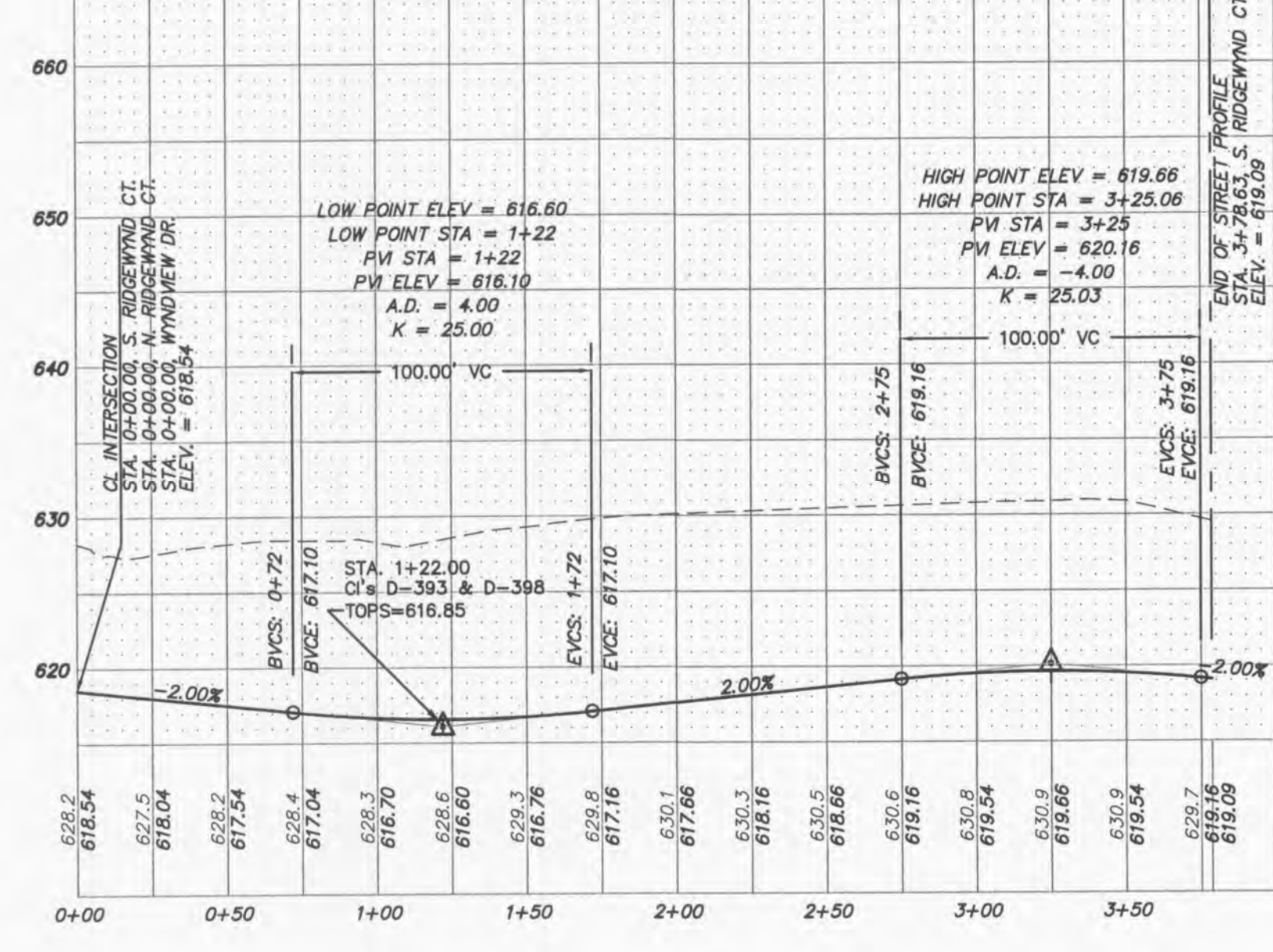
WYNDVIEW COURT



N. RIDGEWYND CT.



S. RIDGEWYND CT.



PAVEMENT DIP CROSS SECTION
(NOT TO SCALE)
NOTE: MAINTAIN CROWN AND CROSS-SLOPES THROUGHOUT DIP.

PROJECT TITLE
**WYNDGATE VILLAGE D
FLAT TWO**

PICKETT, RAY & SILVER INC
CIVIL ENGINEERING, LAND SURVEYING,
AND NATURAL RESOURCES SERVICES
Baltimore, MD 21201
110 West Adams, Suite 201
Baltimore, MD 21201
Phone (410) 397-1211 Fax (410) 397-1104
www.prsinc.com 1-800-708-3918

ENGINEERS AUTHENTICATION
THE RESPONSIBILITY FOR PROFESSIONAL
ENGINEERING LIABILITY ON THIS PROJECT
IS HEREBY LIMITED TO THE SET OF PLANS
AUTHENTICATED BY THE SEAL, SIGNATURE,
AND DATE HEREIN ATTACHED.
RESPONSIBILITY IS DISCLAIMED FOR ALL
OTHER ENGINEERING PLANS INVOLVED IN
THIS PROJECT AND SPECIFICALLY EXCLUDES
REVISIONS AFTER THIS DATE UNLESS
REAUTHENTICATED.
PICKETT, RAY & SILVER, INC.
NO LICENSE NUMBER
DOUGLAS S. VERNON
PROFESSIONAL ENGINEER LICENSE E-23345

Developer / Owner Information
McBride Wyndgate, LLC
16091 Swingley Ridge Road, Suite 300
Chesterfield, Missouri 6307

P+Z No. 3203
City No.
Page No.

9 of 30