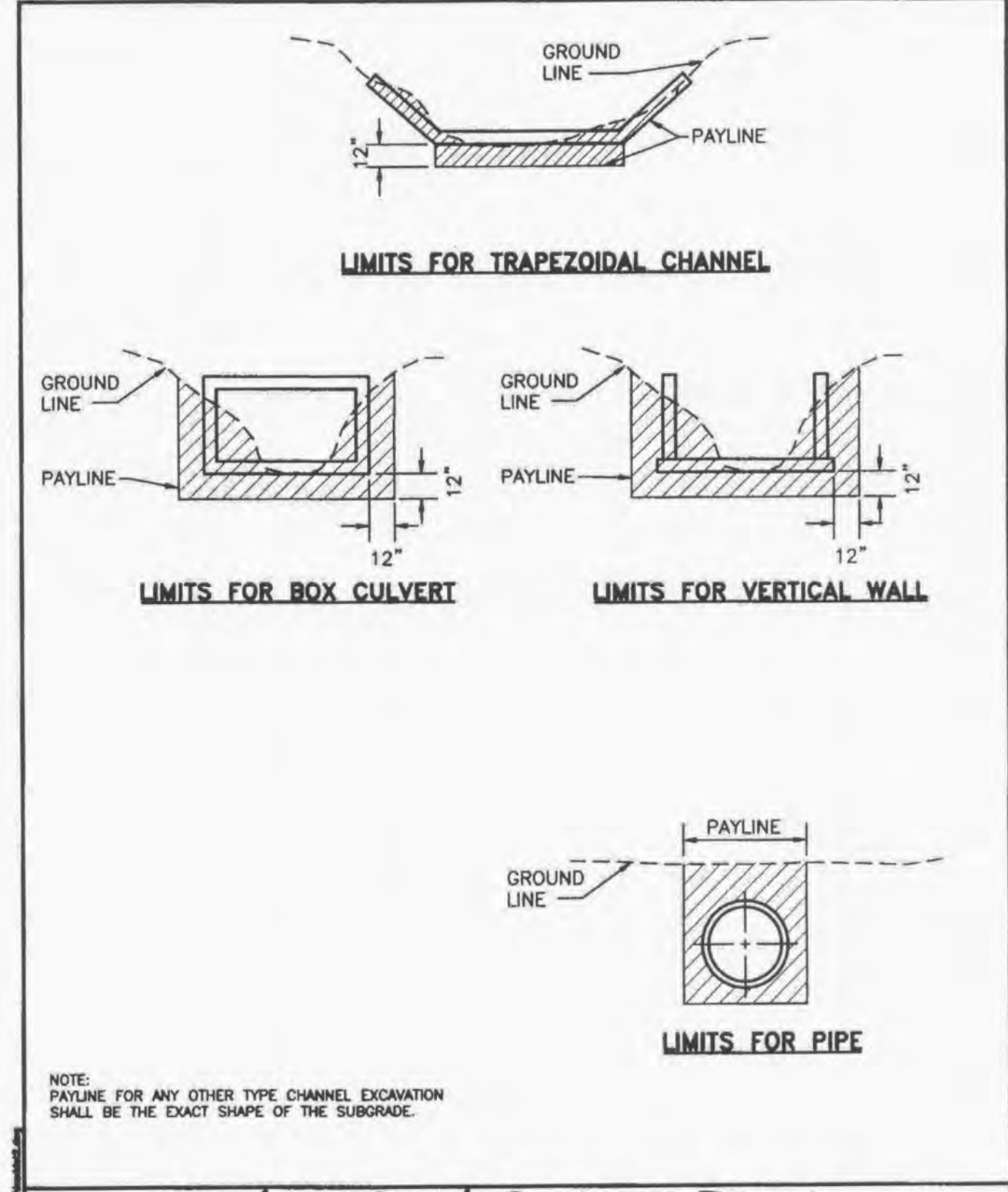
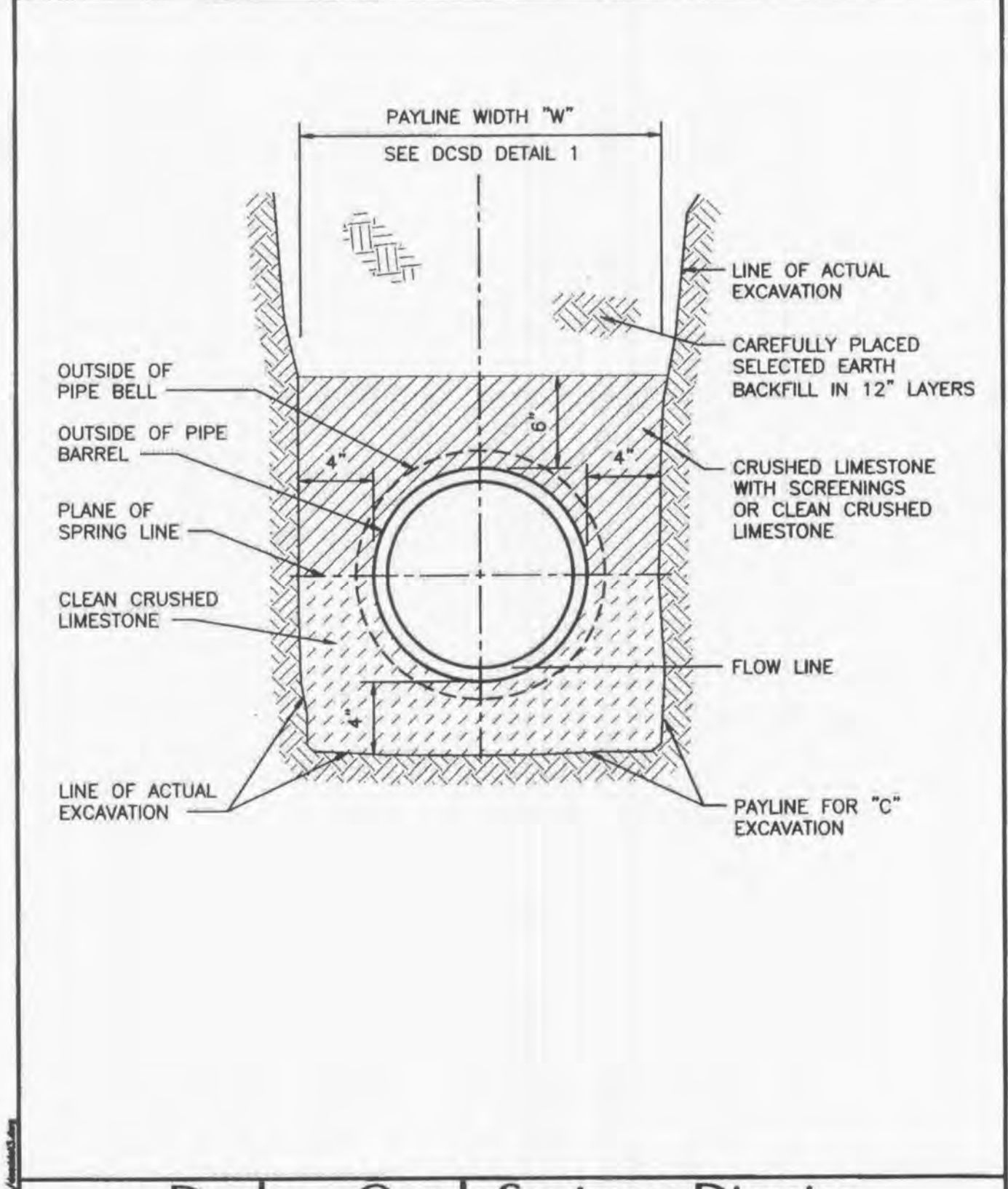


ROUND PIPE				HORIZONTAL ELLIPTICAL PIPE			
INSIDE DIAMETER OF PIPE (INCHES)	"W" PAYLINE WIDTH OF TRENCH (INCHES)	"W" PAYLINE WIDTH OF TRENCH (FEET)	PAY-VOLUMES CU. FT. PER FT. CONCRETE ENCASEMENT	INSIDE DIAMETER OF PIPE (INCHES)	"W" PAYLINE WIDTH OF TRENCH (INCHES)	"W" PAYLINE WIDTH OF TRENCH (FEET)	PAY-VOLUMES CU. FT. PER FT. CONCRETE ENCASEMENT
4	30	2.50	3.28				
6	30	2.50	3.59				
8	30	2.50	3.87				
10	30	2.50	4.09				
12	30	2.50	4.25				
15	36	3.00	5.55				
18	36	3.00	5.77	14 x 23	41	3.42	5.94
21	39	3.25	6.61				
24	42	3.50	7.39	19 x 30	49	4.08	7.68
27	45	3.75	8.18	22 x 34	53	4.42	8.61
30	49	4.08	9.30	24 x 38	58	4.83	9.70
33	53	4.42	10.53	27 x 42	62	5.17	10.71
36	56	4.67	11.43	29 x 45	66	5.50	11.72
39	DISCONTINUED			32 x 49	71	5.92	13.14
42	63	5.25	13.38	34 x 53	75	6.25	14.05
48	70	5.83	15.67	38 x 60	83	6.92	16.18
54	77	6.42	18.15	43 x 68	92	7.67	18.81
60	84	7.00	20.73	48 x 76	101	8.42	21.59
66	91	7.58	23.45	53 x 83	109	9.08	24.35
72	98	8.17	26.37	58 x 91	118	9.83	27.45
78	105	8.75	29.39	63 x 98	126	10.50	30.50
84	112	9.33	32.57	68 x 106	135	11.25	33.91
90	119	9.92	35.90	72 x 113	143	11.92	36.99
96	126	10.50	39.37	77 x 121	152	12.67	40.69
102	133	11.08	42.99	82 x 128	160	13.33	44.45
108	140	11.67	46.75	87 x 136	168	14.00	47.79
114	147	12.25	50.66	92 x 143	176	14.67	51.70
120	154	12.83	54.72	97 x 151	185	15.42	56.01
126	161	13.42	58.92				
132	168	14.00	63.27	106 x 166	202	16.83	64.48
144	182	15.17	72.40	116 x 180	218	18.17	73.59

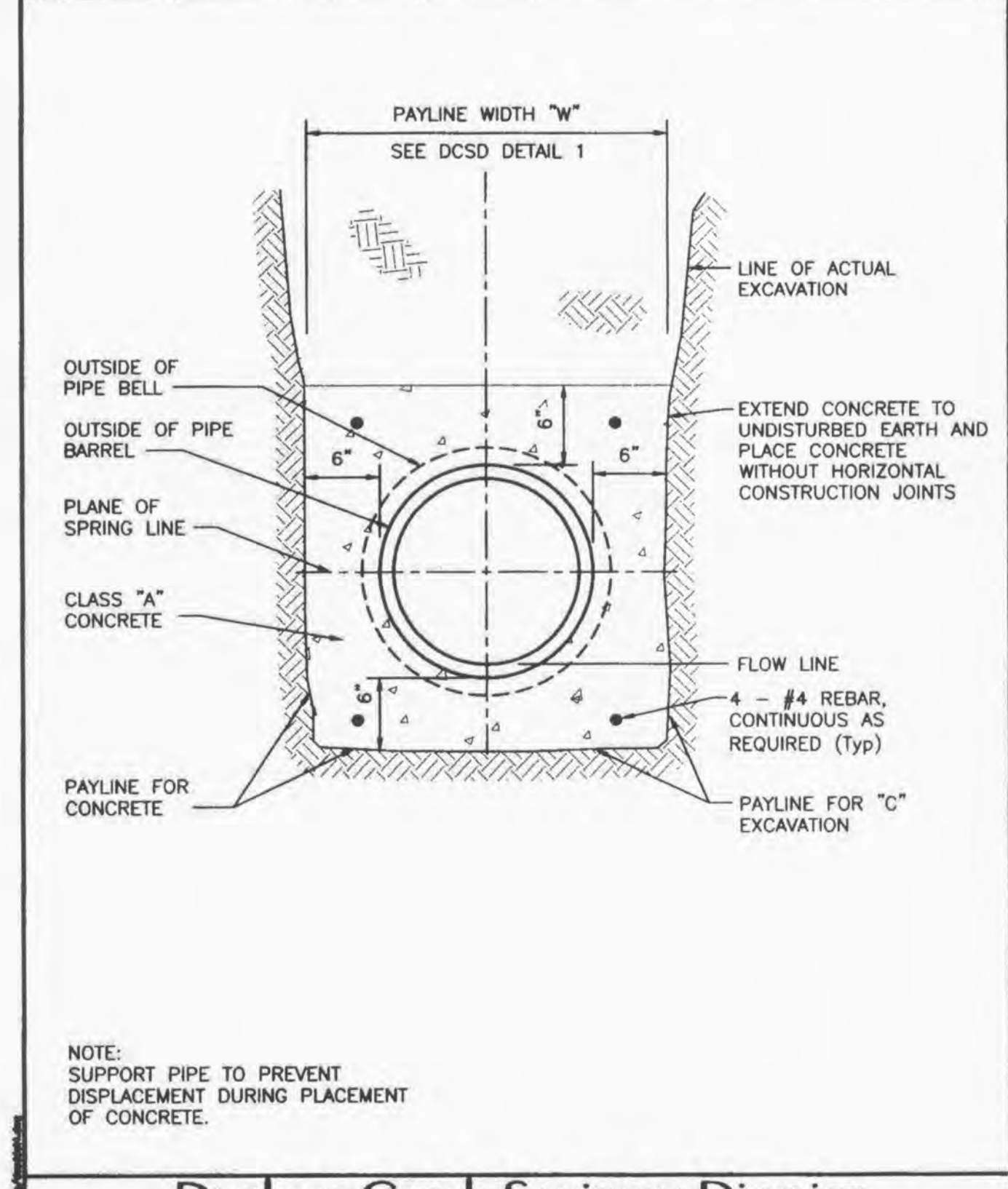
Duckett Creek Sanitary District
 PAYLINE WIDTHS OF TRENCH AND PAY-QUANTITIES OF CONCRETE
 Des By: BSM App By: KLA Detail No. 1
 Cld By: MDOB Date: 12-21-99



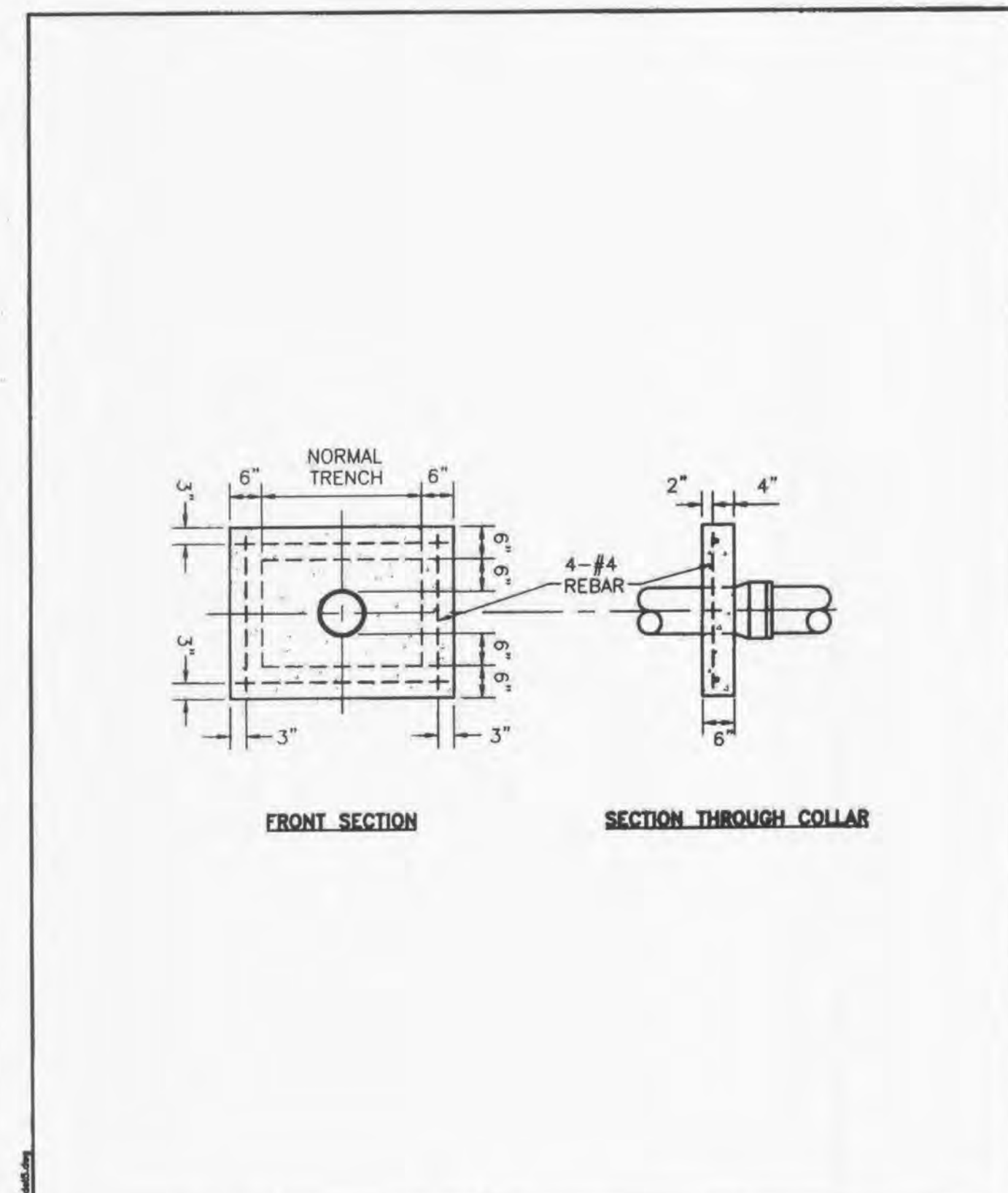
Duckett Creek Sanitary District
 PAYLINE LIMITS FOR EXCAVATION
 Des By: BSM App By: KLA Detail No. 2
 Cld By: MDOB Date: 12-21-99



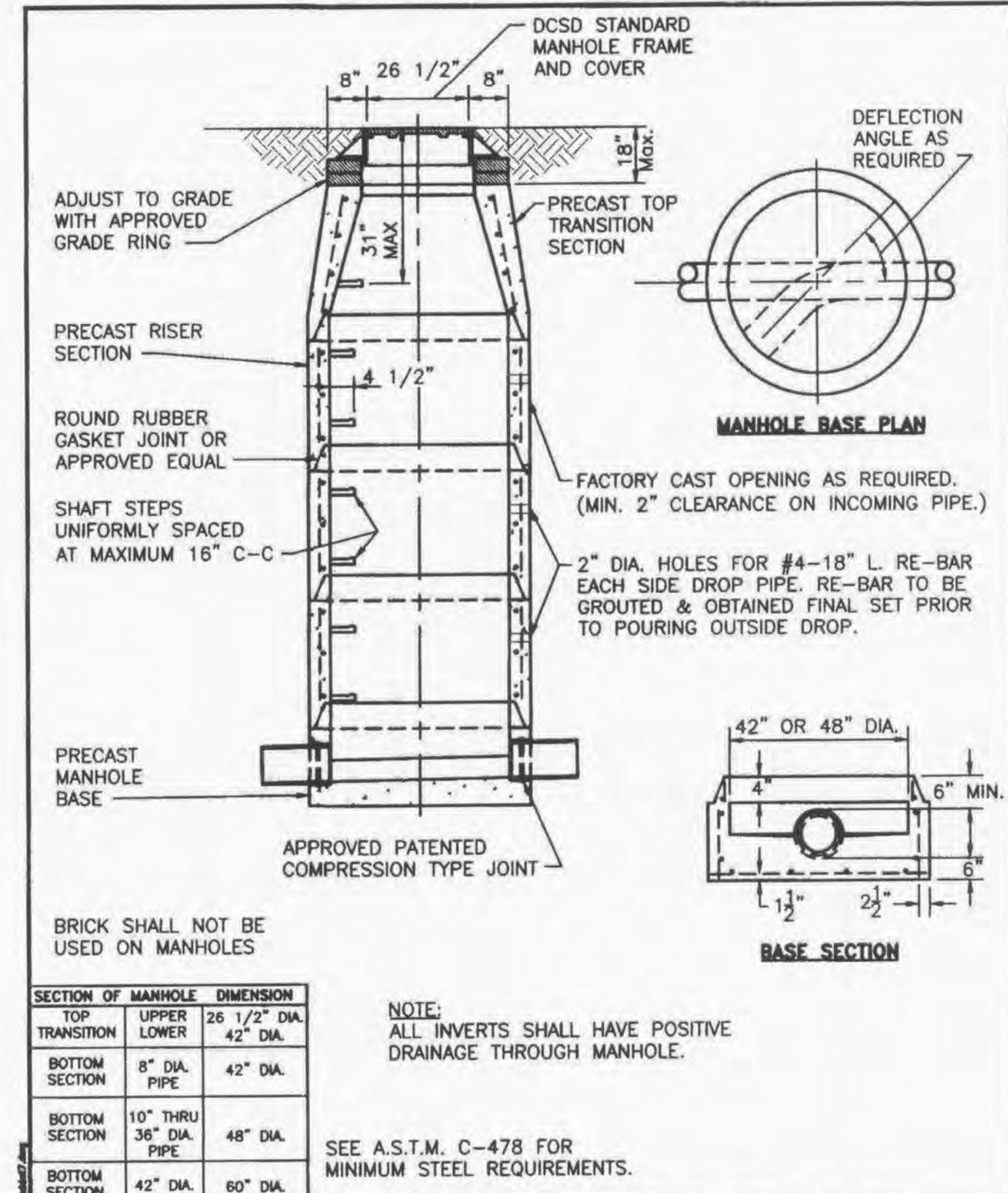
Duckett Creek Sanitary District
 PIPE BEDDING CLASS "C" (FOR ALL PIPE EXCEPT REINFORCED CONCRETE PIPE)
 Des By: BSM App By: KLA Detail No. 3
 Cld By: MDOB Date: 12-21-99



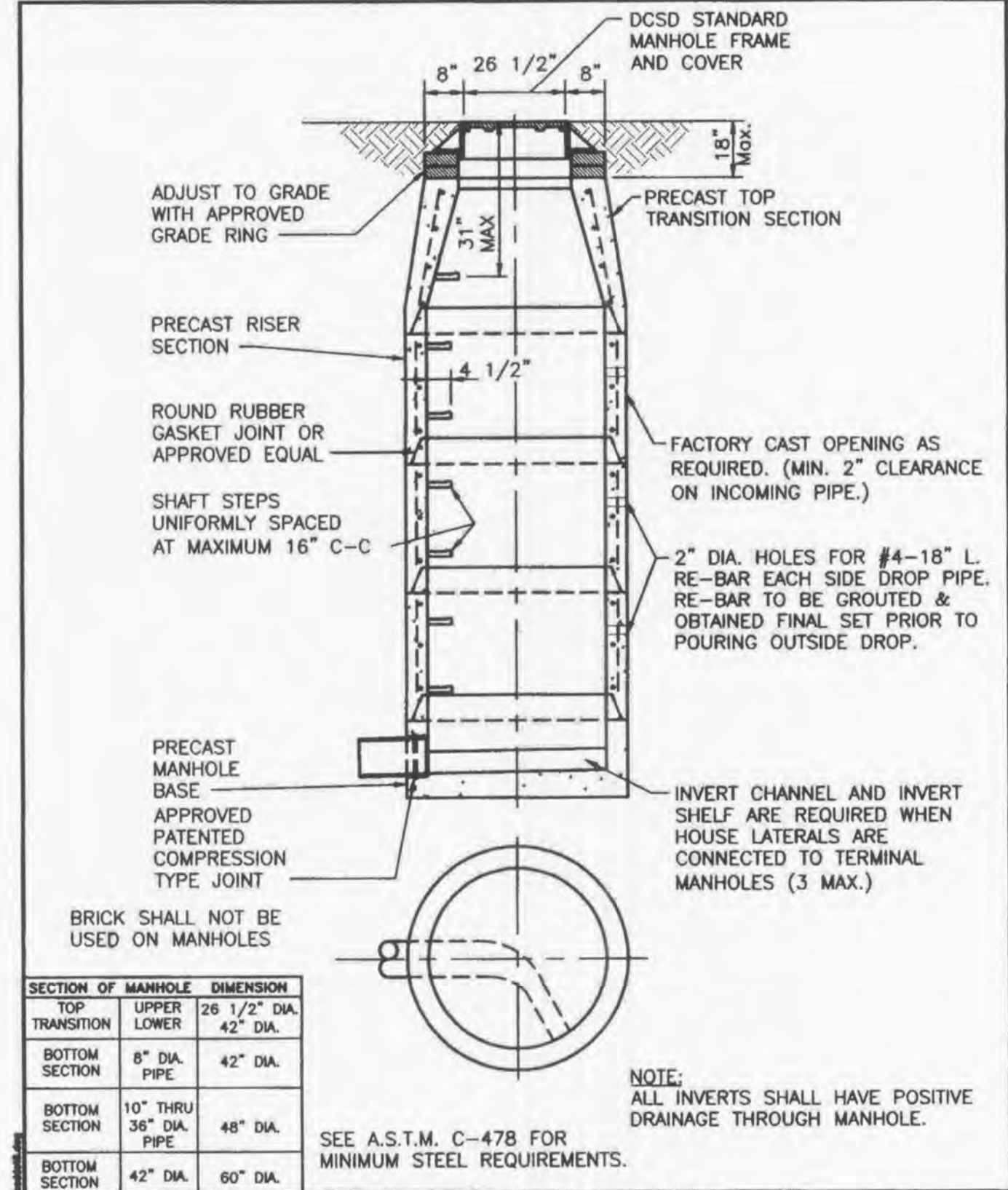
Duckett Creek Sanitary District
 TYPICAL CONCRETE ENCASEMENT
 Des By: BSM App By: KLA Detail No. 4
 Cld By: MDOB Date: 12-21-99



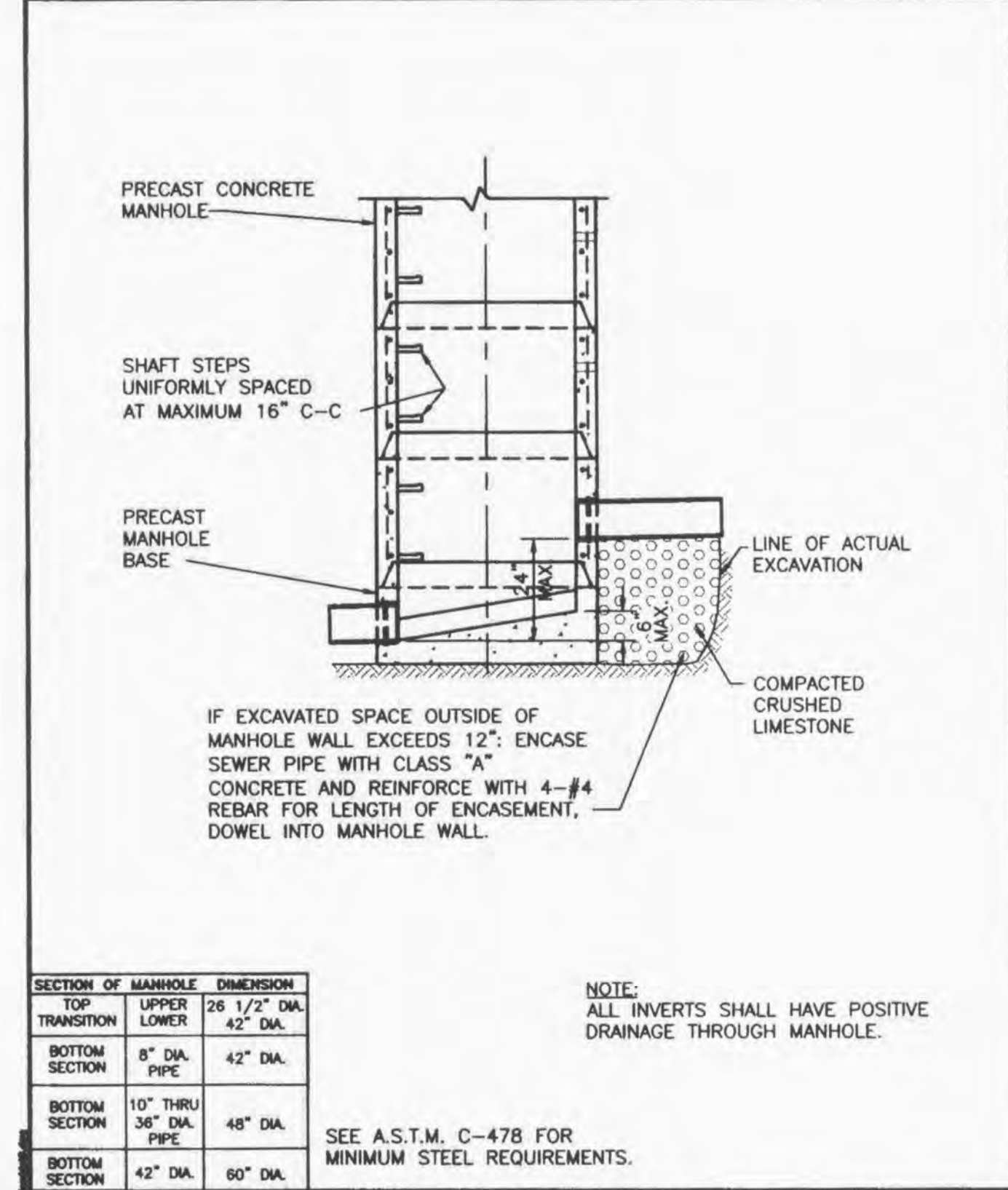
Duckett Creek Sanitary District
 CONCRETE ANTI-SLIP COLLAR FOR PVC PIPE ON PIPE SLOPES FROM 15% TO 50%
 Des By: BSM App By: KLA Detail No. 5
 Cld By: MDOB Date: 12-21-99



Duckett Creek Sanitary District
 PRE-CAST CONCRETE MANHOLE FOR SEWERS 8" THROUGH 18"
 Des By: BSM App By: KLA Detail No. 7
 Cld By: MDOB Date: 12-30-99



Duckett Creek Sanitary District
 TERMINAL MANHOLE FOR SEWERS 8" THROUGH 18"
 Des By: BSM App By: KLA Detail No. 8
 Cld By: MDOB Date: 01-03-00



Duckett Creek Sanitary District
 INSIDE FOULWATER DROP MANHOLE (SWEEP INVERT)
 Des By: BSM App By: KLA Detail No. 9
 Cld By: MDOB Date: 01-04-00

PROJECT TITLE
 WYNDGATE VILLAGE D
 PLAT TWO

PICKETT, RAY & SILVER INC
 CIVIL ENGINEERING, LAND SURVEYING,
 AND NATURAL RESOURCES SERVICES
 22 Richmond Center Court
 St. Peters, MO 65076
 Phone (636) 397-1211 Fax (636) 397-1104
 www.prs3.com

ENGINEERS AUTHENTICATION
 THE RESPONSIBILITY FOR PROFESSIONAL ENGINEERING LIABILITY OF THIS PROJECT IS HEREBY LIMITED TO THE SET OF PLANS AUTHENTICATED BY THE SEAL, SIGNATURE, AND DATE HEREUNDER ATTACHED. RESPONSIBILITY IS DISCLAIMED FOR ALL OTHER ENGINEERING PLANS INCORPORATED IN THIS PROJECT AND SPECIFICALLY EXCLUDED REVISIONS AFTER THIS DATE UNLESS REAUTHENTICATED.
PICKETT, RAY & SILVER, INC
 MISSOURI PROFESSIONAL ENGINEER LICENSE E-23345

Developer / Owner Information
 McBride Wyndgate, LLC
 16091 Swingley Ridge Road, Suite 300
 Chesterfield, Missouri 63017
CITY OF OFALLON - Duckett Creek Sanitary District Details

P+Z No. 3203
 City No. 14-123-8P
 Page No. 22 of 30