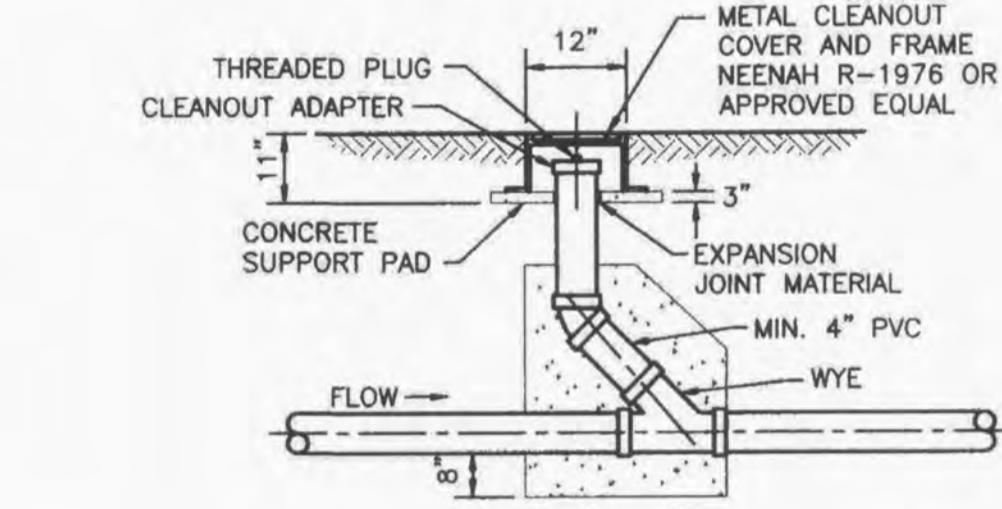


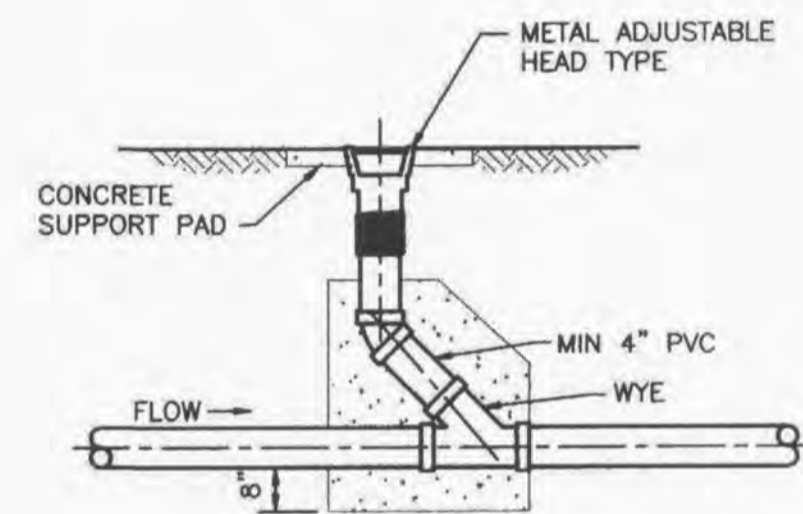
- NOTES:
1. GROUDED RIP-RAP IS REQUIRED AT ALL CREEK CROSSINGS WHERE THE EMBANKMENTS CROSSED ARE STEEPER THAN 1 VERTICAL TO 2 HORIZONTAL RATIO SLOPE; AND ALSO WHERE THERE IS 3 FEET OR LESS COVER OVER THE TOP OF THE SEWER MAIN.
 2. PLACE RIP-RAP ON LOWER 3/4 OF SLOPE. GRADE UPPER 1/4 OF SLOPE AT 1 VERTICAL TO 2 HORIZONTAL SLOPE FOR SOD OR 1 VERTICAL TO 2.5 HORIZONTAL SLOPE FOR SEED AND STRAW.
 3. RIP-RAP TO BE "MSD 5" GRADATION, MINIMUM 12" THICK, GROUDED WITH 8 SACK MIX, SAND-CEMENT SLURRY, BROOM FINISH.
 4. INCORPORATE A 3 FEET DEEP TOE WALL ON EMBANKMENT'S UPPER EDGE OF RIP-RAP.
 5. TOP SURFACE OF RIP-RAP SHOULD NOT BE HIGHER THAN ADJACENT GROUND SURFACE.
 6. IF PIPE HAS LESS THAN 12" COVER, A PAVED CHANNEL MAY BE REQUIRED.
 7. DUCTILE IRON PIPE IS REQUIRED WITHIN THE CREEK LIMITS.

DUCKETT CREEK SANITARY DISTRICT

TYPICAL CREEK CROSSING	Des. By: BSM	App. By: KLA	Detail No. 24
	Clad By: MDOB	Date: 1-8-01	



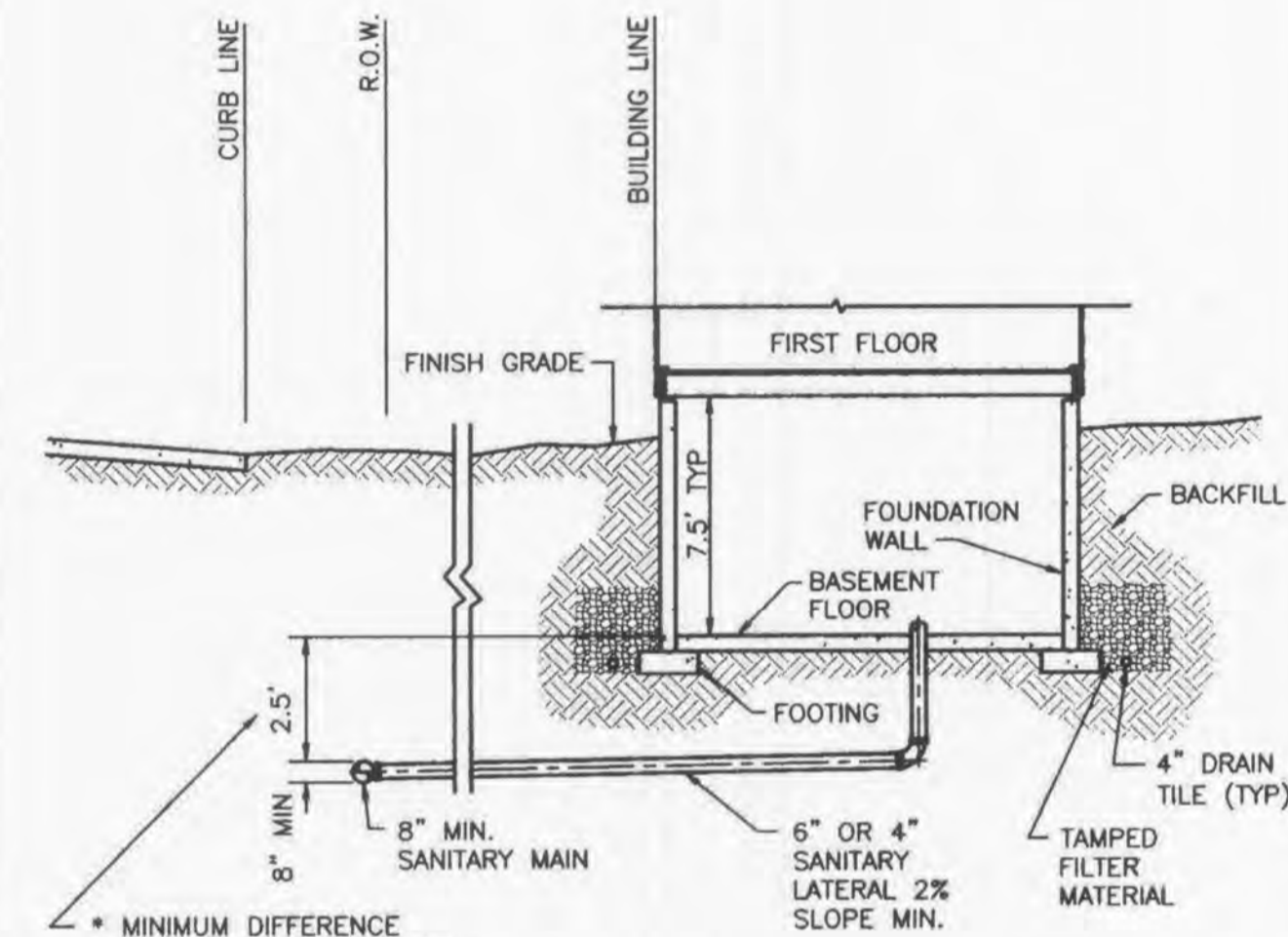
METAL FRAME AND COVER TYPE CLEANOUT



ADJUSTABLE HEAD TYPE CLEANOUT

DUCKETT CREEK SANITARY DISTRICT

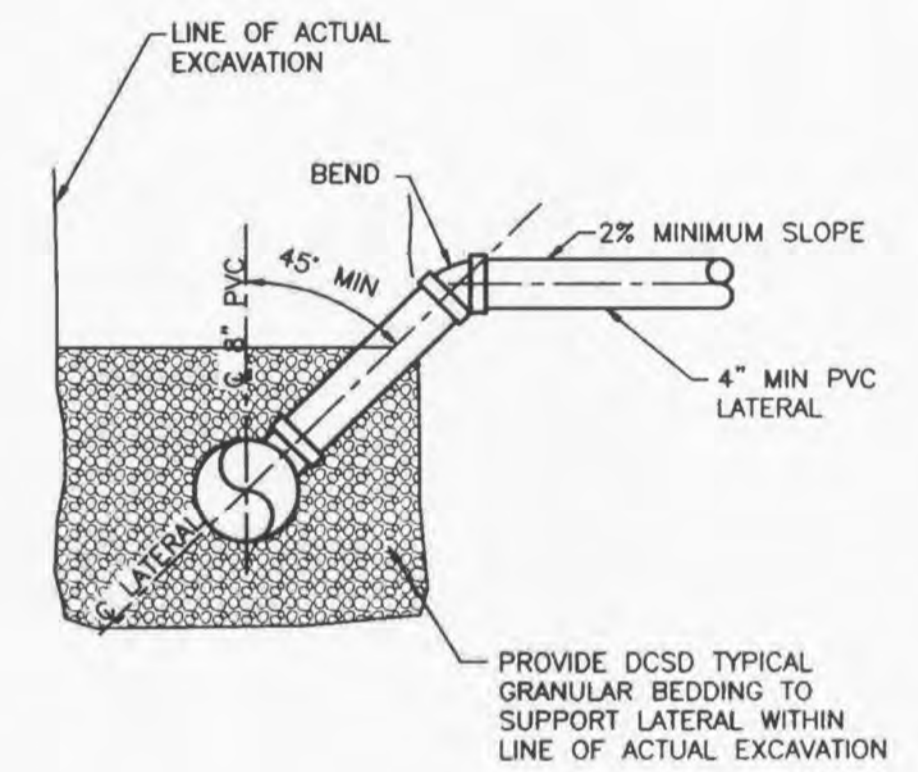
TYPICAL SEWER LATERAL CLEANOUT DETAILS	Des. By: BSM	App. By: KLA	Detail No. 25
	Clad By: MDOB	Date: 1-8-01	



*NOTE: DIFFERENCE IN DEPTH INCREASES WITH PIPE SIZE

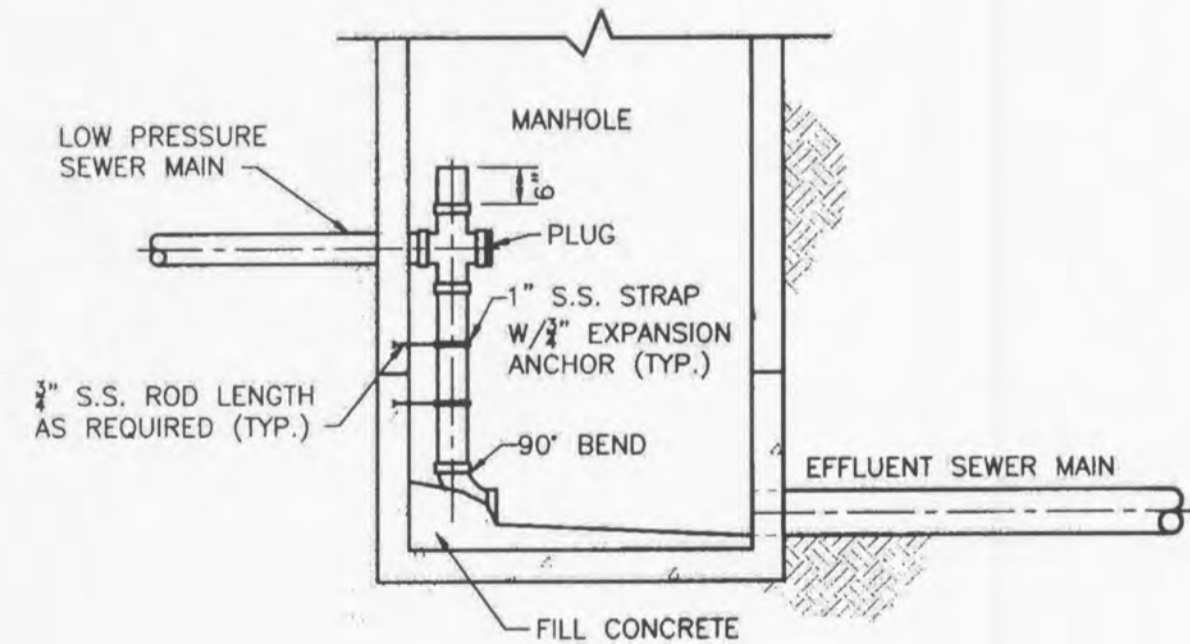
DUCKETT CREEK SANITARY DISTRICT

TYPICAL SANITARY SEWER LATERAL PROFILE	Des. By: BSM	App. By: KLA	Detail No. 26
	Clad By: MDOB	Date: 1-9-01	



DUCKETT CREEK SANITARY DISTRICT

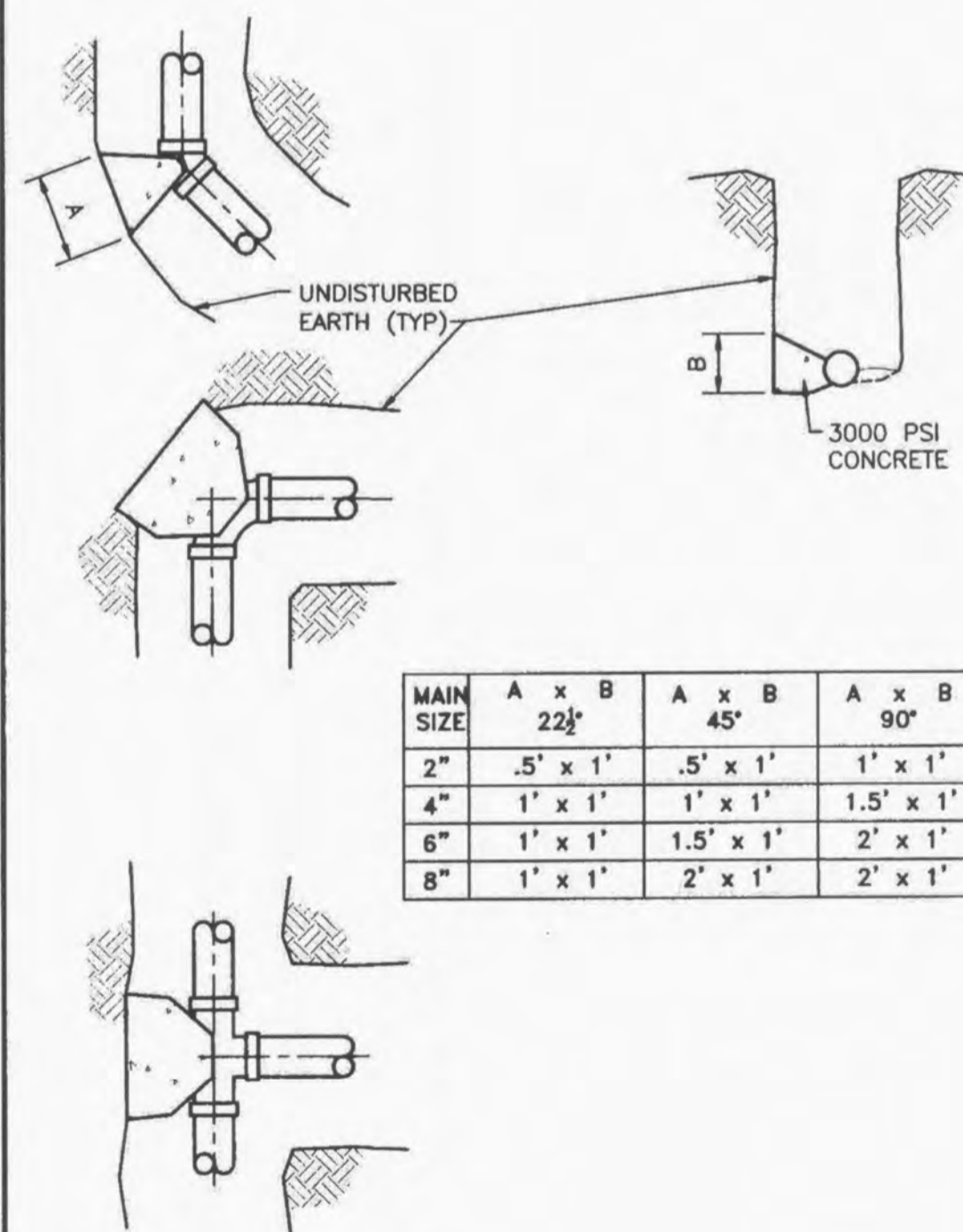
SANITARY SEWER LATERAL RISER DETAIL	Des. By: BSM	App. By: KLA	Detail No. 27
	Clad By: MDOB	Date: 1-9-01	



NOTE: INVERT-BOTTOM SHALL BE WORKED TO PROVIDE POSITIVE DRAINAGE THROUGH MANHOLE

DUCKETT CREEK SANITARY DISTRICT

LOW PRESSURE SEWER MAIN CONNECTION AT MANHOLE	Des. By: BSM	App. By: KLA	Detail No. 28
	Clad By: MDOB	Date: 1-9-01	



MAIN SIZE	A x B 22"	A x B 45"	A x B 90"	A x B TEE
2"	.5' x 1'	.5' x 1'	1' x 1'	1' x 1'
4"	1' x 1'	1' x 1'	1.5' x 1'	1' x 1'
6"	1' x 1'	1.5' x 1'	2' x 1'	1.5' x 1'
8"	1' x 1'	2' x 1'	2' x 1'	2' x 1'

DUCKETT CREEK SANITARY DISTRICT

THRUST BLOCK DETAIL AND SIZE SCHEDULE	Des. By: BSM	App. By: KLA	Detail No. 29
	Clad By: MDOB	Date: 1-9-01	

PROJECT TITLE
WYNDGATE VILLAGE D
PLAT TWO

PICKETT, RAY & SILVER INC
 CIVIL ENGINEERING, LAND SURVEYING,
 AND NATURAL RESOURCES SERVICES

ENGINEERS AUTHORIZATION
 THE RESPONSIBILITY FOR PROFESSIONAL
 ENGINEERING LIABILITY ON THIS PROJECT IS
 HEREBY LIMITED TO THE SET OF PLANS
 AUTHORIZED BY THE SEAL, SIGNATURE, AND
 DATE HEREUNDER ATTACHED. RESPONSIBILITY IS
 DISCLAIMED FOR ALL OTHER ENGINEERING PLANS
 INVOLVED IN THIS PROJECT AND SPECIFICALLY
 EXCLUDES RESUBS AFTER THIS DATE UNLESS
 REAUTHENTICATED

PICKETT, RAY & SILVER, INC
 NO LICENSE NUMBER



Developer / Owner Information
McBride Wyndgate, LLC
 16091 Swingley Ridge Road, Suite 300
 Chesterfield, Missouri 63077

CITY OF OFALLON - Duckett Creek Sanitary District Details

P+Z No. 3203

City No. 14-123-8P

Page No.

25 of 30

City of Ofallon Number 14-123-SP

PRS No. 01267.MCSO.02F

Phone (636) 397-1211 Fax (636) 397-1104
 www.prsinc.com 1-800-708-3916