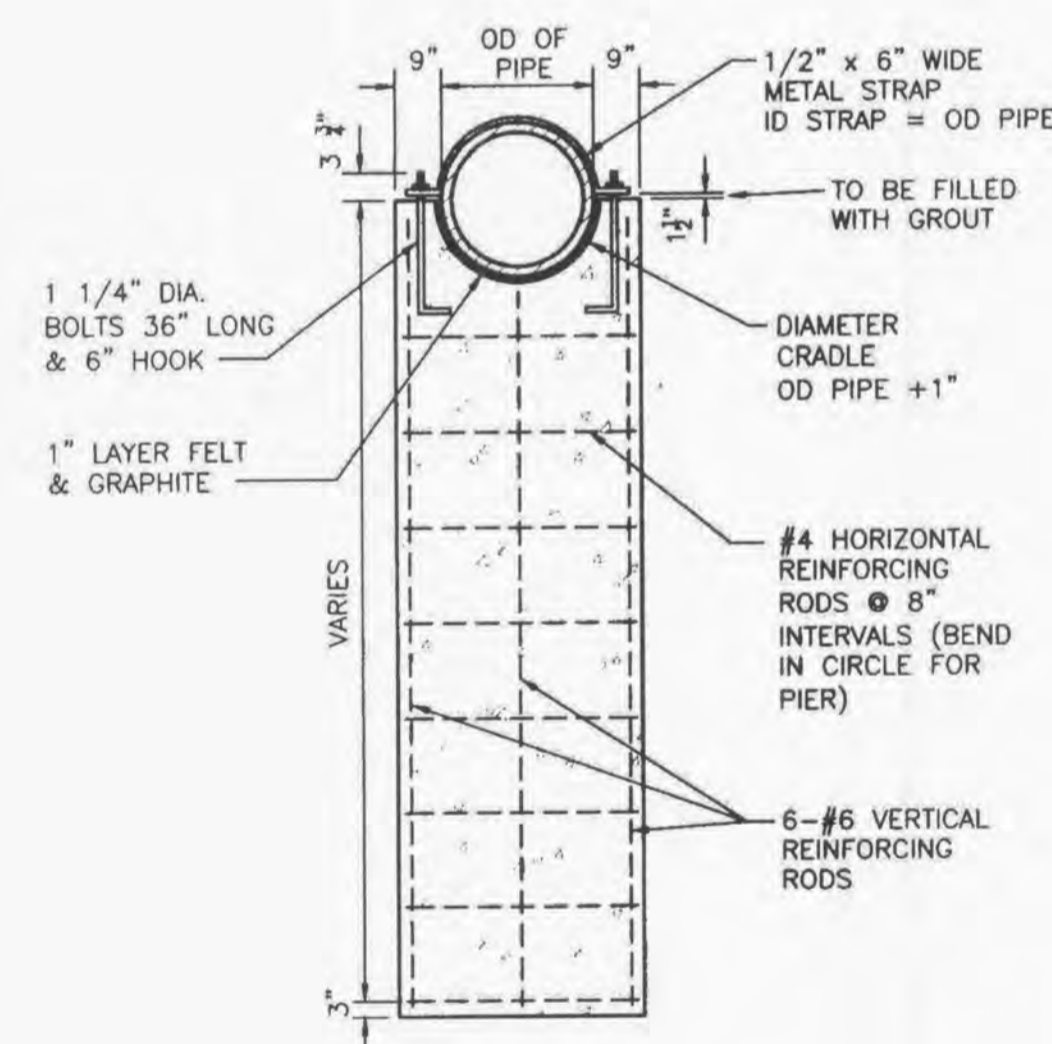


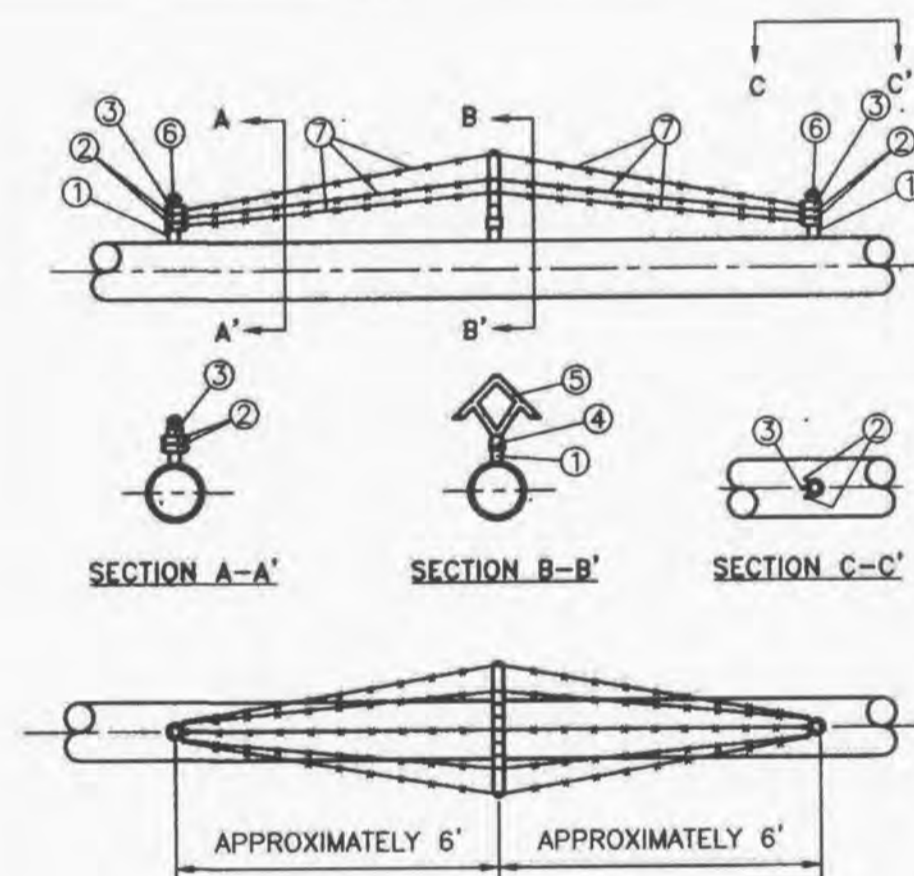
Duckett Creek Sanitary District

| | | | |
|------------------------------|---------------|---------------|----------------|
| AERIAL CREEK CROSSING DETAIL | Desn By: BSM | App By: KLA | Detail No. 30A |
| | Clad By: MDOB | Date: 1-10-01 | |



Duckett Creek Sanitary District

| | | | |
|----------------------|---------------|--------------|----------------|
| CONCRETE PIER DETAIL | Desn By: BSM | App By: KLA | Detail No. 30B |
| | Clad By: MDOB | Date: 1-9-01 | |



| NO. | QTY | STK. NO. | SIZE | DESCRIPTION |
|-----|-----|----------|--------------------|-------------------------------|
| 1 | 6* | 38290 | 1 1/2" x 5" | NIPPLE, STL. SCRD. |
| 2 | 8 | | 1/2" OD, 7/8" | BRACE BAND, GALV. |
| 3 | 4 | | 1/2" OD, 5/8" | BRACE BAND, GALV. |
| 4 | 2 | | 1 1/2" OD x 5/8" | UNIVERSAL BASE, GALV. |
| 5 | 2 | | NORTHLAND S STRD. | ARM. STL. GALV. W/BOLT |
| 6 | 4 | | NORTHLAND #1 | CAP. ACORN, GALV. W/SET SCREW |
| 7 | 1** | 59850 | 4 POINT, 12# GAUGE | WIRE, BARBED, GALV. |

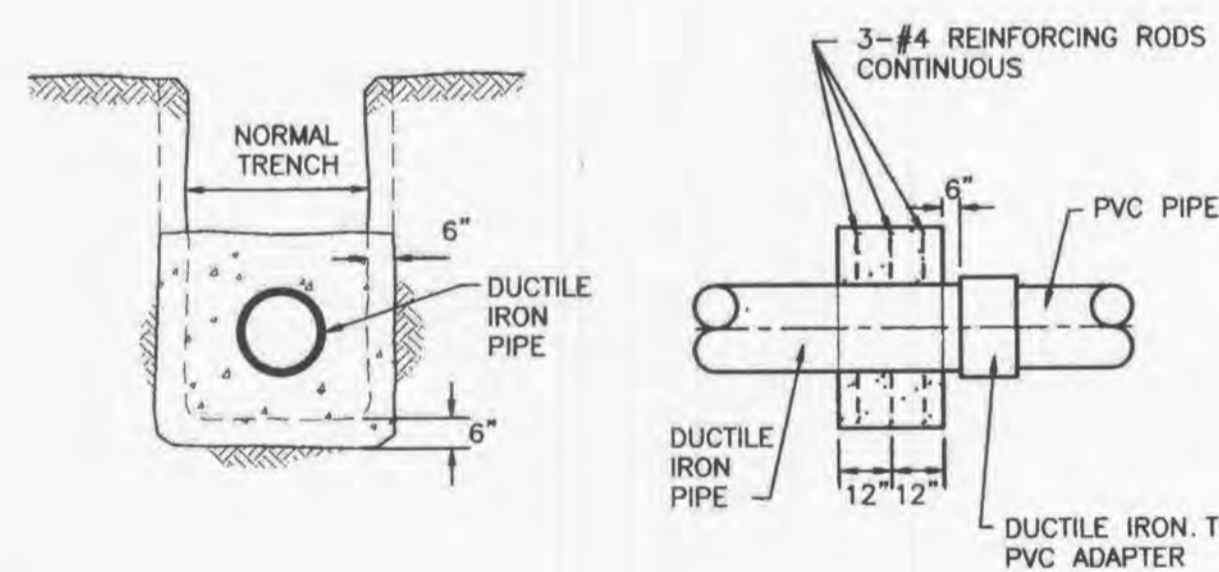
- NOTES:**
- "BILL OF MATERIALS" PROVIDES SUFFICIENT MATERIAL FOR TWO BARRICADES.
 - LOCATION OF BARRICADES ON PIPING SYSTEM TO BE AS SPECIFIED ON APPROVED CONSTRUCTION DRAWINGS.
 - TWO BARRICADES WILL BE REQUIRED, ONE AT EACH END OF THE CROSSING AS A DETERRENT AGAINST FOOT TRAFFIC. IN SOME INSTANCES ADDITIONAL BARRICADES MAY BE REQUIRED.
 - COAT ANY EXPOSED PIPE WITH MASTIC, STOCK #51857.

* 1 1/4" BARE PIPE ON JOB MAY BE SUBSTITUTED FOR 1 1/2" x 5" NIPPLE. SCREW THREADS NOT NECESSARY.
 ** CONTACT SUPERVISOR BEFORE ORDERING BARBED WIRE. BARBED WIRE SUPPLIED IN 1320' ROLLS ONLY, NOT RETURNABLE.

Duckett Creek Sanitary District

| | | | |
|--------------------------------|---------------|--------------|----------------|
| AERIAL CROSSING BARRIER DETAIL | Desn By: BSM | App By: KLA | Detail No. 30C |
| | Clad By: MDOB | Date: 1-9-01 | |

| CROSSING NO. | TOTAL LENGTH OF PIPE L | LENGTH BETWEEN C OF PIPE SUPPORTS I | CARRIER PIPE OUTSIDE DIAMETER D | CARRIER PIPE WALL THICKNESS (IN.) |
|--------------|------------------------|-------------------------------------|---------------------------------|-----------------------------------|
| 1 | | | | |
| 2 | | | | |



Duckett Creek Sanitary District

| | | | |
|--|---------------|--------------|----------------|
| AERIAL CROSSING CONCRETE COLLAR DETAIL | Desn By: BSM | App By: KLA | Detail No. 30D |
| | Clad By: MDOB | Date: 1-9-01 | |

PROJECT TITLE
 WYNDGATE VILLAGE D
 FLAT TWO

PICKETT, RAY & SILVER, INC.
 CIVIL ENGINEERING, LAND SURVEYING,
 AND NATURAL RESOURCES SERVICES
 Branson
 St. Peters
 22 Richmond Center Court
 St. Peters, MO 65276
 Phone (636) 397-1211 Fax (636) 397-1104
 www.prs3.com 1-800-708-3918
 PRR No. 01267/MCSO.02R

ENGINEER'S AUTHENTICATION
 THE RESPONSIBILITY FOR PROFESSIONAL ENGINEERING LIABILITY ON THIS PROJECT IS HEREBY LIMITED TO THE SET OF PLANS AUTHENTICATED BY THE SEAL, SIGNATURE, AND DATE HEREON ATTACHED. RESPONSIBILITY IS DISCLAIMED FOR ALL OTHER ENGINEERING PLANS INVOLVED IN THIS PROJECT AND SPECIFICALLY EXCLUDES REVISIONS AFTER THIS DATE UNLESS REAUTHENTICATED.



Developer / Owner Information
 McBride Wyndgate, LLC
 16081 Swingle Ridge Road, Suite 300
 Chesterfield, Missouri 63077
 CITY OF OFALLON - Duckett Creek Sanitary District Details

P+Z No. 3203
 City No. 14-123-8P

Page No.
 26 of 30