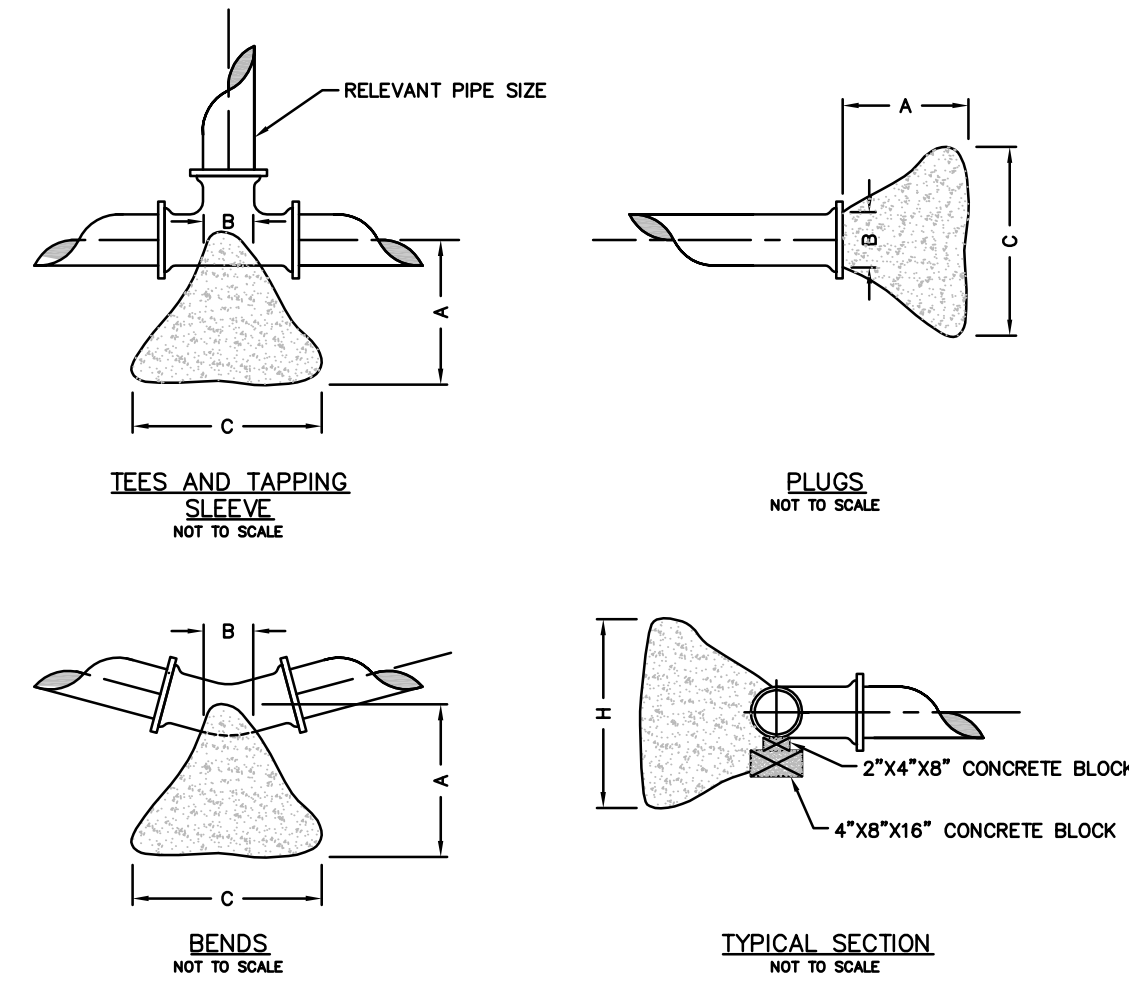


NOTE: THIS DETAIL IS FROM PWSD#2



THRUST BLOCK DIMENSIONS - INCHES

PIPE DIA.	ALL FTGS.		TEE PLUG TAPPING		90 DEGREE BEND		45 DEGREE BEND		22-1/2 BEND		11-1/4 BEND	
	A	B	C	H	C	H	C	H	C	H	C	H
14	4	24	12	26	15	18	12	12	12	12	12	12
16	6	36	18	36	24	30	18	24	12	12	12	12
20	8	36	30	42	36	36	24	24	18	18	18	12
20	10	48	36	66	36	36	36	28	24	18	18	18
24	12	68	36	82	42	52	36	40	24	28	18	18

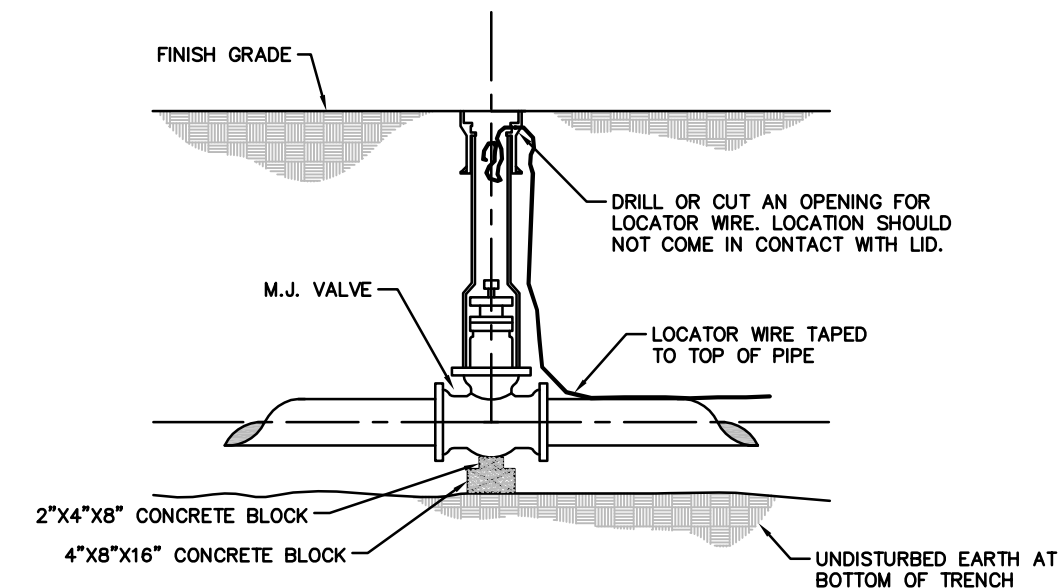
NOTE

FOR FITTINGS LARGER THAN 12", SPECIAL RESTRAINT DESIGNS ARE REQUIRED.

**HORIZONTAL THRUST BLOCKING
DETAIL "C"**

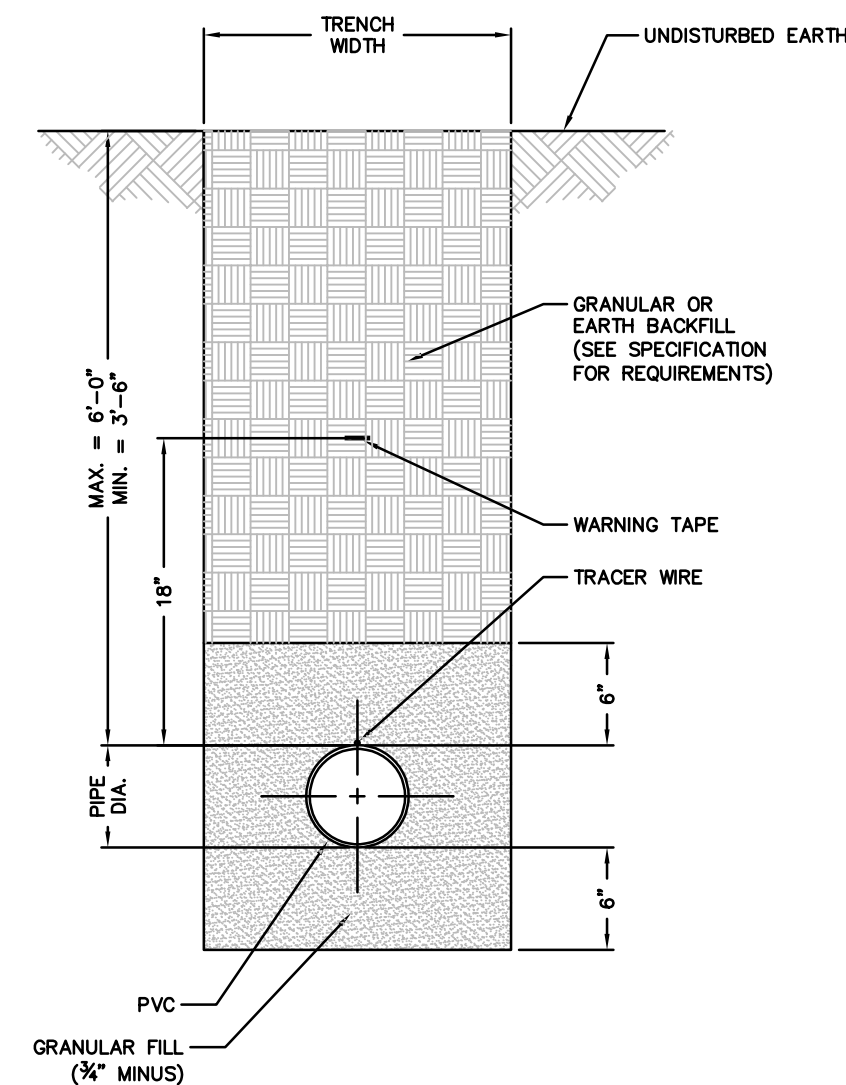
NOTE: THIS DETAIL IS FROM PWSD#2

Buffalo box is an acceptable product to use.
Tyler 562-S and 564-S are acceptable products.



**GATE VALVE DETAIL
DETAIL "D"**

NOTE: THIS DETAIL IS FROM PWSD#2

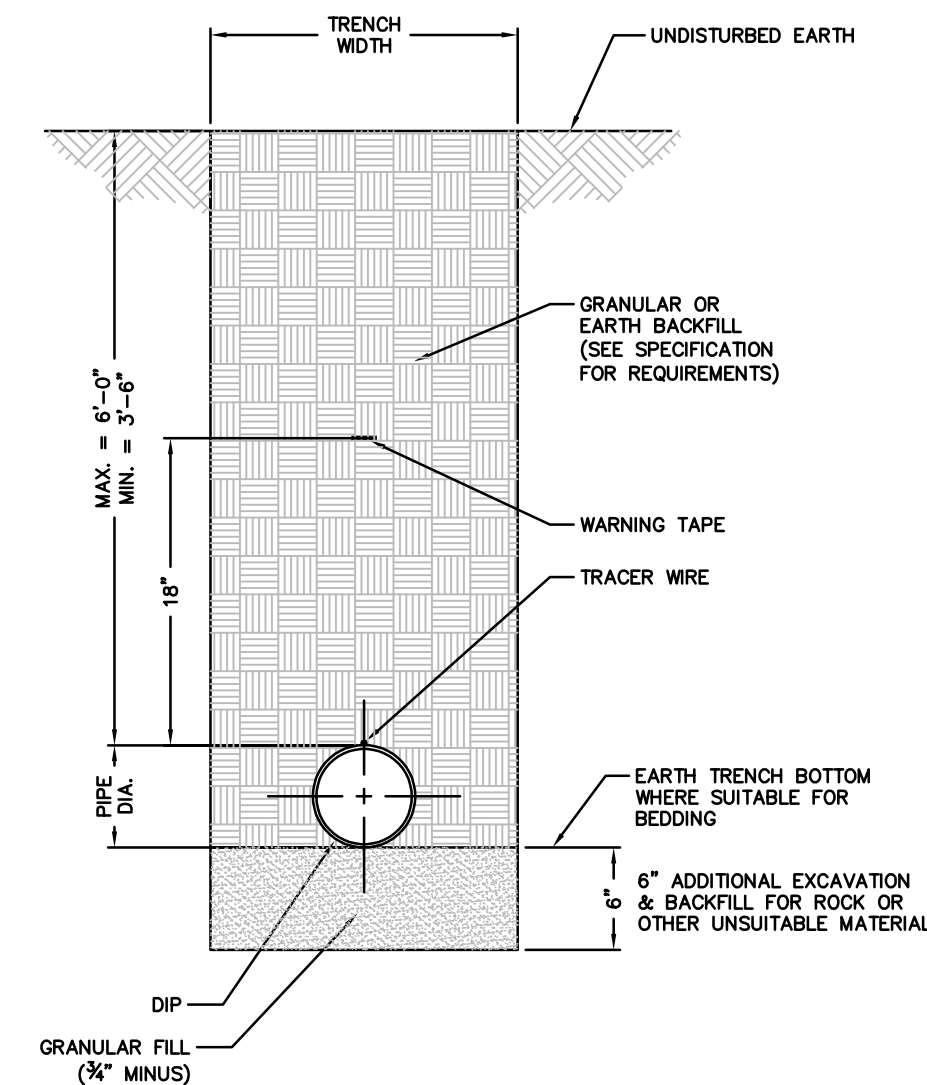


NOTES

- SEE SPECIFICATIONS FOR ADDITIONAL DETAILS FOR BEDDING AND BACKFILL.

**TYPICAL TRENCH SECTION
FOR PVC PIPE
NOT TO SCALE
DETAIL "A"
PAGE 1 OF 2**

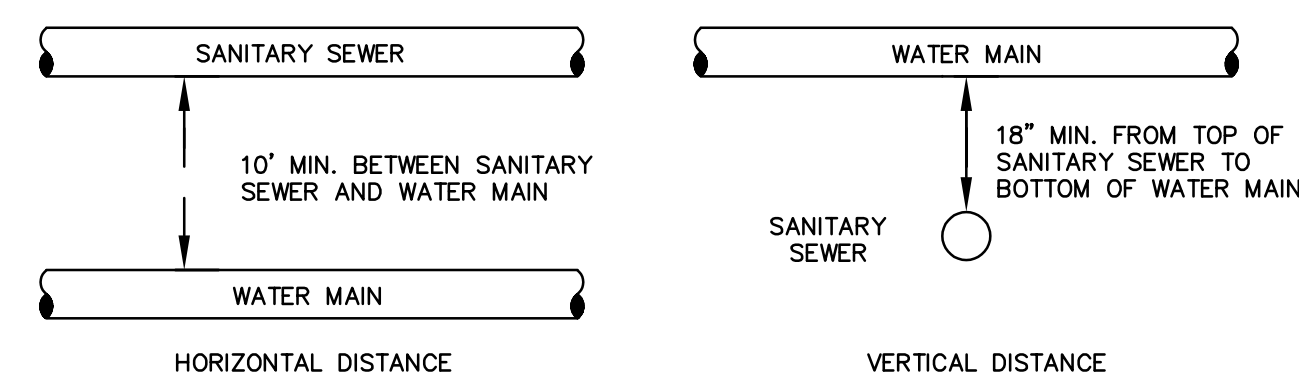
NOTE: THIS DETAIL IS FROM PWSD#2



NOTES

- POLYWRAP REQUIRED FOR DUCTILE IRON PIPE
- SEE SPECIFICATIONS FOR ADDITIONAL DETAILS FOR BEDDING AND BACKFILL.

**TYPICAL TRENCH SECTION
FOR DUCTILE IRON PIPE
NOT TO SCALE
DETAIL "A"
PAGE 2 OF 2**

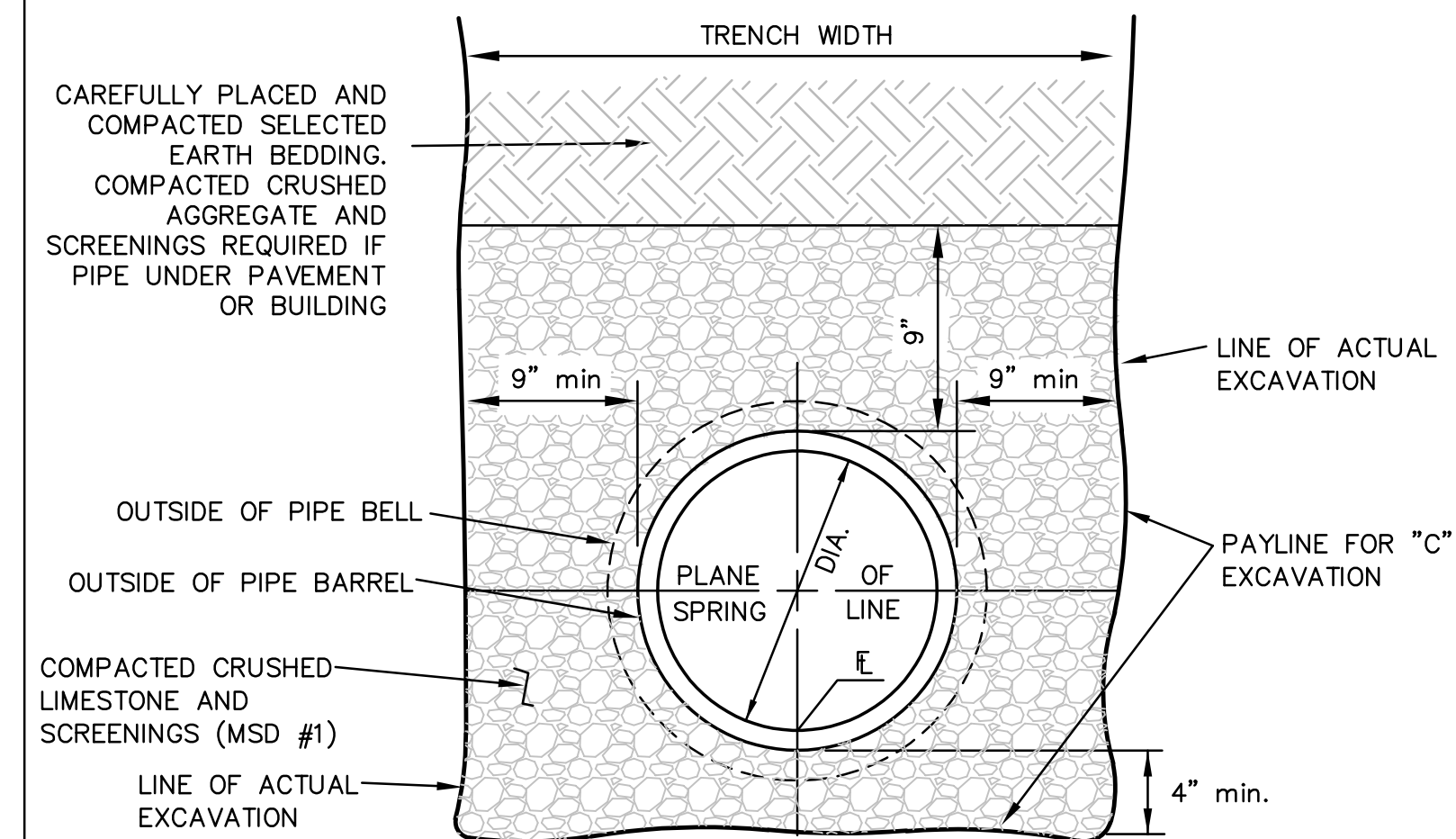
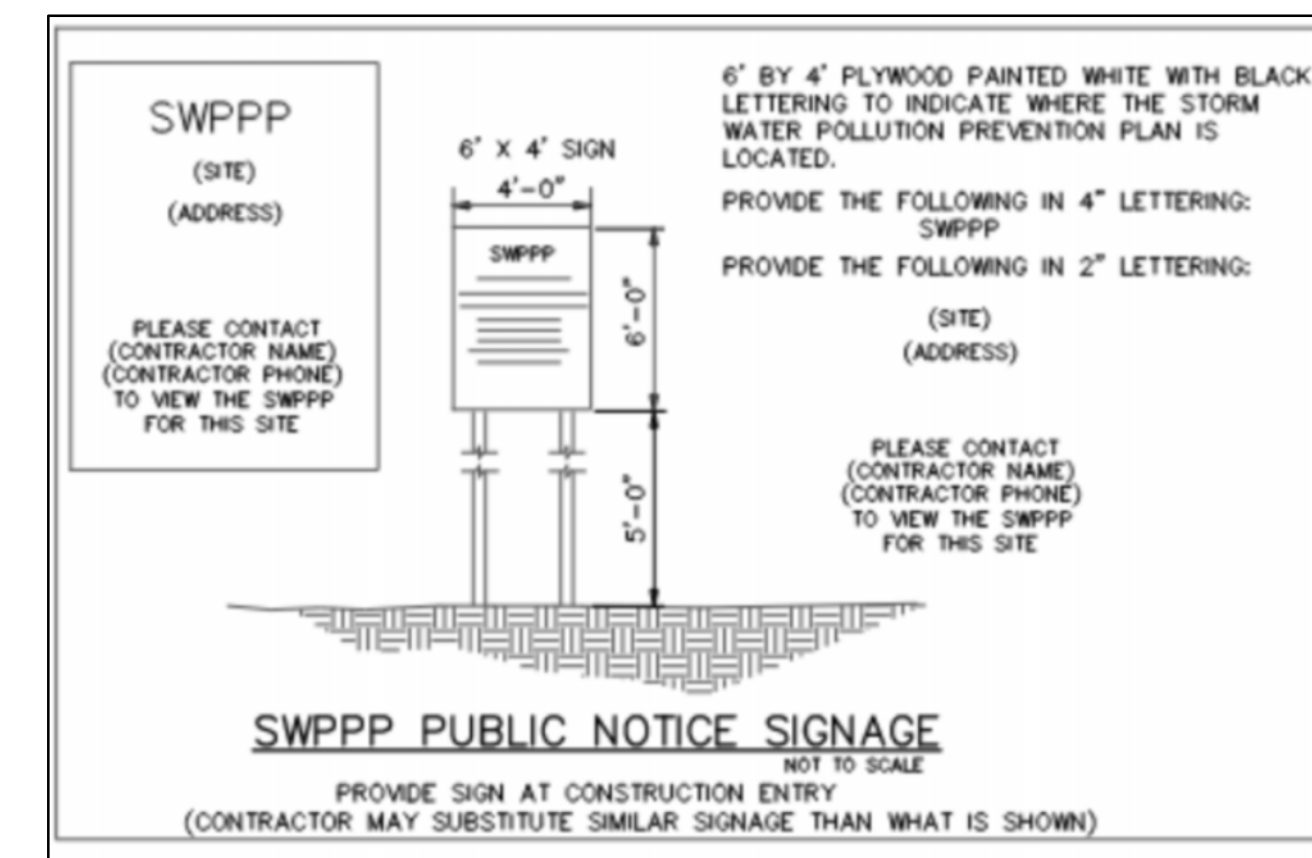


**TYPICAL WATER AND SEWER
SEPARATION
NOT TO SCALE**

CITY OF O'FALLON
ENGINEERING DEPARTMENT
O'FALLON, MISSOURI

**WATER AND SEWER
SEPARATION DETAIL**

Ductile Iron Pipe installation shall follow the Ductile Iron Research Association (DIPRA) guide line.
The Installation of PVC Pipe shall follow the Uni-Bell PVC Pipe Association Handbook of PVC Design and Construction.



**1 PIPE BEDDING DETAIL
(PVC & HDPE PIPE)
N.T.S.**

Pipe Diameter inches	Trench Width inches
4	21
6	23
8	26
10	28
12	30
15	34
18	39
24	48
30	56
36	64
42	72
48	80
54	88
60	96

NO.	DESCRIPTION	DATE
△	CITY COMMENTS	11-30-2023
△	CITY COMMENTS	12-20-2023
△		
△		
△		
△		
△		

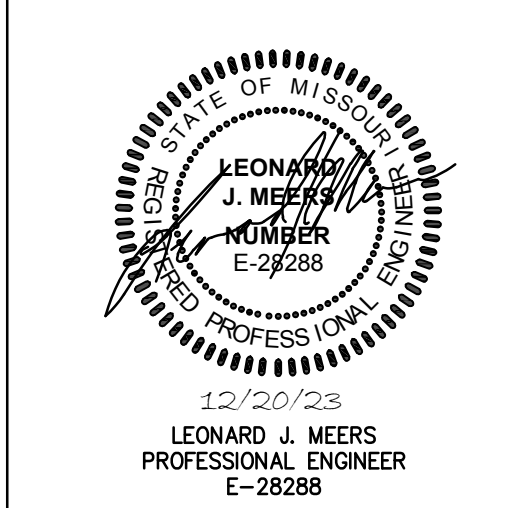
PROJECT TITLE
O'FALLON YMCA

**3451 PHEASANT MEADOW DRIVE
O'FALLON, MO 63368**

GRIMES CONSULTING, INC.
Civil Engineering & Surveying Services

12300 OLD TESSON ROAD
SUITE 3000
ST. LOUIS, MO 63128
PH: (314) 849-6100
FAX: (314) 849-6010
www.grimesconsulting.com

LEONARD J. MEERS
PROFESSIONAL ENGINEER
E-28288



Developer / Owner Information

527 ARCHITECTS, P.C.
CONTACT: STEVE HUNSICKER
131 W. ARGONNE, ST. LOUIS, MO 63122
Email: steve@527architects.com

P+Z No.
Approval Date:

City No.

Page No.

C7.1