



**ENGINEERING  
PLANNING  
SURVEYING**

**Stormwater Analysis Report  
Prepared By: Bax Engineering CO., INC.  
WINGHAVEN POINTE  
Bax Project No. I4I6403  
March 18, 2016**

**INTRODUCTION:**

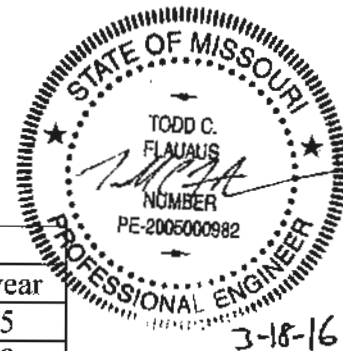
The currently undeveloped 24.45 acres site is located in the City of O’Fallon, Missouri. The site shall be analyzed for the construction of the proposed residential development on approximately 19.69 acres of the site, 4.00 acre future commercial development and 0.76 acres of Right of Way. The detention basin shall be designed to provide the Stormwater Attenuation required of the development by the City of O’Fallon Design Standards for both the current development and the anticipated development on lot 2. The storage volume and outflow rates shall be proportioned to insure that the peak rate of runoff leaving the tract under post-developed conditions is less than or equal to the peak rate of runoff under pre-developed conditions for the 2, 15, 25 and 100 year 20 minute design storms and also analyzed for the safe passage of the 100 year 20 minute design storm assuming the low flow slot is blocked.

Water Quality treatment will be provided by inlet filters located within the inlets of the storm sewer system and untimely in the lake in the southern area of the site. This will provide treatment for the disturbed area proposed with the current development. The future commercial development will be responsible for providing treatment of their runoff when development plans are submitted.

**GENERAL SITE DATA AND RUNOFF CALCULATIONS**

The pre-developed curve numbers used for the analysis are:

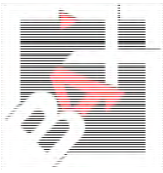
Land Use	Percent Impervious	PI Factors (cfs/ac)			
		2 year	15 year	25 year	100 year
Greenspace	0-5%	1.15	1.87	2.31	2.95
Pavement/ Building	100%	2.39	3.85	4.75	6.08



The post-developed curve numbers used for the analysis are:

Land Use	Percent Impervious	PI Factors (cfs/ac)			
		2 year	15 year	25 year	100 year
Greenspace	0-5%	1.15	1.87	2.31	2.95
Pavement/ Building	100%	2.39	3.85	4.75	6.08

**BAX ENGINEERING CO.**  
221 Point West Blvd.  
St. Charles, MO 63301  
(636) 928-5552 Fax: (636) 928-1718  
www.baxengineering.com



## WATER QUALITY

To ensure that sedimentation and pollution in receiving streams due to development of this site is minimized, our design will consider the Water Quality Volume requirement as described in “Georgia Stormwater Management Manual Volumes 1, 2 and 3”. Water quality volume is defined as “The storage needed to capture and treat the runoff from 90% of the recorded daily rainfall events.” Water Quality treatment will be provided by series of inlet filters which treat the stormwater runoff from the impervious area by filtration prior to entering the storm pipes.

### WATER QUALITY VOLUME (WQ<sub>v</sub>)

The drainage area to each inlet filter will be analyzed individually to ensure the performance of each filter.

#### GI 18

$$WQ_v = PR_v A / 12$$

$$\text{Where: } P = 1.14''$$

$$R_v = 0.05 + 0.009(I)$$

$$I = \% \text{ Impervious}$$

$$A_I = \text{Impervious Area} = 0.71 \text{ ac}$$

$$A = \text{Watershed Area} = 0.77 \text{ ac}$$

$$I = A_I / A = 0.71 \text{ ac} / 0.77 \text{ ac} = 0.9221 = 92.21\%$$

$$R_v = 0.05 + 0.009(92.21) = 0.8799$$

$$WQ_v = 1.14(.8799)(0.77)/12 = 0.06436 \text{ ac-ft} = \mathbf{2,804 \text{ ft}^3}$$

An inlet filter will be installed of GI 101 to treat the runoff (Q<sub>p</sub>) from this watershed.

$$Q_a = P * R_v$$

$$P = 1.14''$$

$$Q_a = 1.14 * 0.8799 = 1.0 \text{ watershed inches}$$

$$CN = \frac{1000}{[10 + 5P + 10Q_a - 10\sqrt{(Q_a^2 + 1.25Q_aP)]}}$$

$$CN = 98.74$$

$$I_a = (200/CN) - 2 = 0.0255$$

$$I_a / P = 0.0224$$

From Chart D.11.1  $q_u = 1000 \text{ csm/in}$

$$Q_p = q_u \times A \times Q_a$$

$$A = 0.77 \text{ acres} \rightarrow 0.0012 \text{ mi}^2$$

$$Q_p = 1000 \times .0012 \times 0.77 = 1.20 \text{ cfs}$$

**A Flex Storm inlet filter will treat a maximum of 1.70 cfs and removing 80% TSS.**

The following table will summarize the calculations for the other inlet filters.



ENGINEERING  
PLANNING  
SURVEYING

Inlet	Pervious Area	Impervious Area	Total Area	Percent Impervious	Rv	WQ Volume	Qa	CN	Tc	Ia	Ia/P	Qu	WQ Flow Rate	Max Treatment Rate
AI 13	0.12	0.25	0.37	67.57%	0.6581	1008 ft3	0.75	95.89603128	0.032 hrs	0.0856	0.0751	1000	0.43 cfs	1.70 cfs
AI 14	0.43	0.45	0.88	51.14%	0.5102	1858 ft3	0.58	93.3165225	0.216 hrs	0.1432	0.1257	790	0.63 cfs	1.70 cfs
AI 20	0.06	0.03	0.09	33.33%	0.3500	130 ft3	0.4	89.63789313	0.152 hrs	0.2312	0.2028	850	0.05 cfs	1.70 cfs
AI 31	0.48	0.56	1.04	53.85%	0.5346	2301 ft3	0.61	93.82261362	0.587 hrs	0.1317	0.1155	600	0.59 cfs	1.70 cfs
AI 34	1.18	0.52	1.7	30.59%	0.3253	2288 ft3	0.37	88.8852534	0.479 hrs	0.2501	0.2194	500	0.49 cfs	1.70 cfs
GI 10	0.03	0.61	0.64	95.31%	0.9078	2404 ft3	1.03	99.02685778	0.036 hrs	0.0197	0.0172	1000	1.03 cfs	1.70 cfs
GI 15	0.07	0.7	0.77	90.91%	0.8682	2766 ft3	0.99	98.64242072	0.036 hrs	0.0275	0.0241	1000	1.19 cfs	1.70 cfs
GI 17	0.01	0.23	0.24	95.83%	0.9125	906 ft3	1.04	99.12026844	0.017 hrs	0.0178	0.0156	1000	0.39 cfs	1.70 cfs
GI 18	0.06	0.71	0.77	92.21%	0.8799	2804 ft3	1.00	98.74018877	0.069 hrs	0.0255	0.0224	1000	1.20 cfs	1.70 cfs
GI 21	0.07	0.78	0.85	91.76%	0.8759	3081 ft3	1.00	98.74018877	0.043 hrs	0.0255	0.0224	1000	1.33 cfs	1.70 cfs
GI 22	0.07	0.96	1.03	93.20%	0.8888	3789 ft3	1.01	98.83683749	0.041 hrs	0.0235	0.0206	1000	1.62 cfs	1.70 cfs
GI 23	0.07	0.59	0.66	89.39%	0.8545	2334 ft3	0.97	98.44344266	0.047 hrs	0.0316	0.0277	1000	1.00 cfs	1.70 cfs
GI 24	0.03	0.42	0.45	93.33%	0.8900	1657 ft3	1.01	98.83683749	0.034 hrs	0.0235	0.0206	1000	0.71 cfs	1.70 cfs
GI 25	0.06	0.59	0.65	90.77%	0.8669	2332 ft3	0.99	98.64242072	0.041 hrs	0.0275	0.0241	1000	1.01 cfs	1.70 cfs
GI 27	0.15	0.9	1.05	85.71%	0.8214	3569 ft3	0.94	98.13604051	0.039 hrs	0.0380	0.0333	1000	1.54 cfs	1.70 cfs
GI 28	0.08	0.34	0.42	80.95%	0.7786	1353 ft3	0.89	97.59829458	0.030 hrs	0.0492	0.0432	1000	0.58 cfs	1.70 cfs
GI 30	0.03	0.31	0.34	91.18%	0.8706	1225 ft3	0.99	98.64242072	0.031 hrs	0.0275	0.0241	1000	0.53 cfs	1.70 cfs
GI 5	0.04	0.67	0.71	94.37%	0.8993	2642 ft3	1.03	99.02685778	0.042 hrs	0.0197	0.0172	1000	1.14 cfs	1.70 cfs
GI 6	0.05	0.28	0.33	84.85%	0.8136	1111 ft3	0.93	98.03109815	0.032 hrs	0.0402	0.0352	1000	0.48 cfs	1.70 cfs
GI 7	0.01	0.29	0.3	96.67%	0.9200	1142 ft3	1.05	99.21263804	0.034 hrs	0.0159	0.0139	1000	0.49 cfs	1.70 cfs
GI 8	0.01	0.22	0.23	95.65%	0.9109	867 ft3	1.04	99.12026844	0.035 hrs	0.0178	0.0156	1000	0.37 cfs	1.70 cfs



## DETENTION BASIN CALCULATIONS

### PREDEVELOPED CONDITIONS:

The Predeveloped site discharges to an existing storm sewer in the southwest corner of the site. The total runoff from the watershed will be calculated using the rational method to determine the Predeveloped Runoff rates leaving the site. For this analysis the Predeveloped runoff for the 2, 15, 25, and 100 year 20 minute design storms will be calculated for comparison to the Postdeveloped runoff to determine the quantity of detention that will be required.

2 Year

$$24.45 \text{ ac} \times 1.15 \text{ cfs/ac} = \frac{28.12 \text{ cfs}}{\text{Total} = 28.12 \text{ cfs}}$$

15 Year

$$24.45 \text{ ac} \times 1.87 \text{ cfs/ac} = \frac{45.72 \text{ cfs}}{\text{Total} = 45.72 \text{ cfs}}$$

25 Year

$$24.45 \text{ ac} \times 2.31 \text{ cfs/ac} = \frac{56.48 \text{ cfs}}{\text{Total} = 56.48 \text{ cfs}}$$

100 Year

$$24.45 \text{ ac} \times 2.95 \text{ cfs/ac} = \frac{72.13 \text{ cfs}}{\text{Total} = 71.13 \text{ cfs}}$$

2 year-20 minute storm:	28.12 cfs
15 year-20 minute storm:	45.72 cfs
25 year-20 minute storm:	56.48 cfs
100 year-20 minute storm:	72.13 cfs



ENGINEERING  
PLANNING  
SURVEYING

## POSTDEVELOPED CONDITIONS:

The Postdeveloped watershed discharges an existing storm sewer in the southwest corner of the site. The total runoff from the watershed will be calculated using the rational method to determine the Postdeveloped Runoff rates leavening the site. For this analysis the Postdeveloped runoff for the 2, 15, 25, and 100 year 20 minute design storms will be calculated for comparison to the previously calculated Predeveloped runoff to determine the quantity of detention that will be required. For this analysis the future commercial is assumed to be 100% impervious.

### 2 Year

Green Space	9.82 ac	x	1.15 cfs/ac	=	11.29 cfs
Pavement / Building	14.63 ac	x	2.39 cfs/ac	=	34.97 cfs
			Total	=	46.26 cfs

### 15 Year

Green Space	9.82 ac	x	1.70 cfs/ac	=	18.36 cfs
Pavement / Building	14.63 ac	x	3.85 cfs/ac	=	56.33 cfs
			Total	=	74.69 cfs

### 25 Year

Green Space	9.82 ac	x	2.31 cfs/ac	=	22.68 cfs
Pavement / Building	14.63 ac	x	4.75 cfs/ac	=	69.49 cfs
			Total	=	92.17 cfs

### 100 Year

Green Space	9.82 ac	x	2.95 cfs/ac	=	28.97 cfs
Pavement / Building	14.63 ac	x	6.08 cfs/ac	=	88.95 cfs
			Total	=	117.92 cfs

2 year-20 minute storm:	46.26 cfs
15 year-20 minute storm:	74.69 cfs
25 year-20 minute storm:	92.17 cfs
100 year-20 minute storm:	117.92 cfs

BAX ENGINEERING CO.  
221 Point West Blvd.  
St. Charles, MO 63301  
(636) 928-5552 Fax: (636) 928-1718  
www.baxengineering.com



ENGINEERING  
PLANNING  
SURVEYING

## DIFFERENTIAL RUNOFF

The differential runoff for each discharge point is determined by subtracting the predeveloped runoff rate from the postdeveloped runoff rate.

Design Storm	Postdeveloped Runoff	Predeveloped Runoff	Differential Runoff
2 yr	46.26 cfs	28.12 cfs	18.14 cfs
15 yr	74.69 cfs	45.72 cfs	28.97 cfs
25 yr	92.17 cfs	56.48 cfs	35.69 cfs
100 yr	117.92 cfs	72.13 cfs	45.79 cfs

## TIME OF CONCENTRATION:

Of the inflows to the basin, the most remote point lies in the northern residential area of the site. Flows will travel approximately 100 feet overland to the storm system. Then the runoff is carried 1,824 feet to the detention basin area. Time of concentration is estimated as follows:

T(overland):           L = 100 feet  
                              Elevation difference = 0.7  
                              Surface Coefficient = 0.4(pavement)

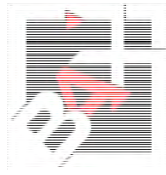
$T(\text{overland}) = 1.75 * 0.4 = 0.7$  minutes:  
See figure 1 in Appendix A

T(storm system):       L = 1,824 feet  
                              Average Velocity = 7 ft/s

$T(\text{storm system}) = 1,824 \text{ (ft)} / 7 \text{ (ft/s)} / 60 \text{ (s/min)} = 4.34 \text{ min}$

Total time = 0.70 + 4.34 = 5.04 use **5 minutes**

BAX ENGINEERING CO.  
221 Point West Blvd.  
St. Charles, MO 63301  
(636) 928-5552 Fax: (636) 928-1718  
www.baxengineering.com



ENGINEERING  
PLANNING  
SURVEYING

### Basin Peak Inflow

#### 2 Year

Green Space	5.30 ac	x	1.15 cfs/ac	=	6.10 cfs
Pavement / Building	10.90 ac	x	2.39 cfs/ac	=	26.05 cfs
			Total	=	32.15 cfs

#### 15 Year

Green Space	5.30 ac	x	1.70 cfs/ac	=	9.91 cfs
Pavement / Building	10.90 ac	x	3.85 cfs/ac	=	41.97 cfs
			Total	=	51.88 cfs

#### 25 Year

Green Space	5.30 ac	x	2.31 cfs/ac	=	12.24 cfs
Pavement / Building	10.90 ac	x	4.75 cfs/ac	=	51.78 cfs
			Total	=	64.02 cfs

#### 100 Year

Green Space	5.30 ac	x	2.95 cfs/ac	=	15.64 cfs
Pavement / Building	10.90 ac	x	6.08 cfs/ac	=	66.27 cfs
			Total	=	81.91 cfs

2 year-20 minute storm:	32.15 cfs
15 year-20 minute storm:	51.88 cfs
25 year-20 minute storm:	64.02 cfs
100 year-20 minute storm:	81.91 cfs

BAX ENGINEERING CO.  
221 Point West Blvd.  
St. Charles, MO 63301  
(636) 928-5552 Fax: (636) 928-1718  
[www.baxengineering.com](http://www.baxengineering.com)



### ALLOWABLE RELEASE RATE

STORM	BASIN INFLOW	-	DIFFERENTIAL RUNOFF RATE	=	ALLOWABLE RELEASE RATE
2 yr	32.15 cfs	-	18.14 cfs	=	14.01 cfs
15 yr	51.88 cfs	-	28.97 cfs	=	22.91 cfs
25 yr	64.02 cfs	-	35.69 cfs	=	28.33 cfs
100 yr	81.91 cfs	-	45.79 cfs	=	36.12 cfs

### STORM ROUTING CALCULATIONS AND RESULTS

A computer program PONDPACK was used in routing the 2, 15, 25 and 100 year storms through the basin. The routing calculations can be found in Appendix B for the 2, 15, 25 and 100 year storms for the watershed and also the calculations for safe passage of the 100 year storms with the low flow blocked (LFB) and the basin ponded full to the top of the outfall structure. As found in the routing calculations, the results are as follows:

STORM (20 MIN)	PEAK INFLOW	ALLOWABLE RELEASE RATE	CALCULATED RELEASE	PEAK ELEVATION
2 yr	32.15 cfs	14.01 cfs	3.22 cfs	489.16 ft
15 yr	51.88 cfs	22.91 cfs	6.38 cfs	489.54 ft
25 yr	64.02 cfs	28.33 cfs	8.58 cfs	489.77 ft
100 yr	81.91 cfs	36.12 cfs	12.91 cfs	490.10 ft
100 yr LFB	81.91 cfs	N/A	47.85 cfs	494.90 ft

The Lake was also analyzed with the creek at the 100 Year Base Flood Elevation of 495.80. A flap gate will be installed on the end of the outfall pipe to prevent the flood waters in the creek from backflowing into the lake. The routing calculations can be found in Appendix C.

STORM (20 MIN)	PEAK INFLOW	ALLOWABLE RELEASE RATE	CALCULATED RELEASE	PEAK ELEVATION
2 yr	32.15 cfs	14.01 cfs	0.00 cfs	489.20 ft
15 yr	51.88 cfs	22.91 cfs	0.00 cfs	489.61 ft
25 yr	64.02 cfs	28.33 cfs	0.00 cfs	489.87 ft
100 yr	81.91 cfs	36.12 cfs	0.00 cfs	490.23 ft
100 yr LFB	81.91 cfs	N/A	0.00 cfs	495.33 ft





**ENGINEERING**  
**PLANNING**  
**SURVEYING**

**SUMMARY:**

<b>Normal</b>	<u>Flow Rate</u>	<u>High Water</u>
2 Year	3.22 cfs	489.16 ft
15 Year	6.38 cfs	489.54 ft
25 Year	8.58 cfs	489.77 ft
100 Year	12.91 cfs	490.10 ft
100 Year –LOW FLOW BLOCKED	47.85 cfs	494.90 ft

<b>Flooded</b>	<u>Flow Rate</u>	<u>High Water</u>
2 Year	0.00 cfs	489.20 ft
15 Year	0.00 cfs	489.61 ft
25 Year	0.00 cfs	489.87 ft
100 Year	0.00 cfs	490.23 ft
100 Year –LOW FLOW BLOCKED	0.00 cfs	495.33 ft

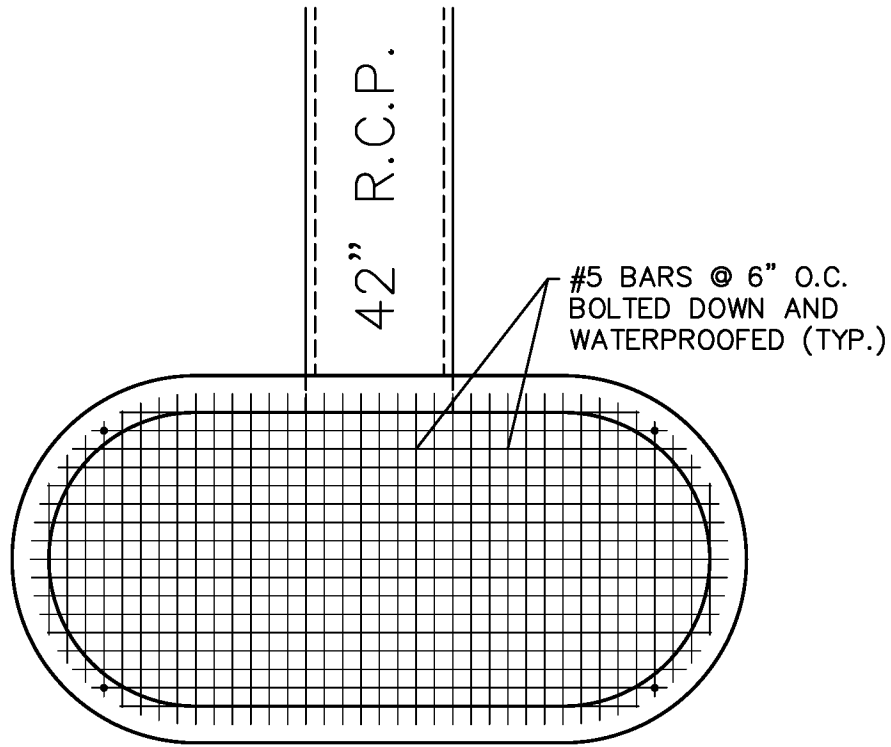
LOW FLOW SLOT ELEVATION 24" W x 24" H  
488.50

STRUCTURE TYPE Precast Double Area Inlet Base  
CREST ELEVATION 494.00

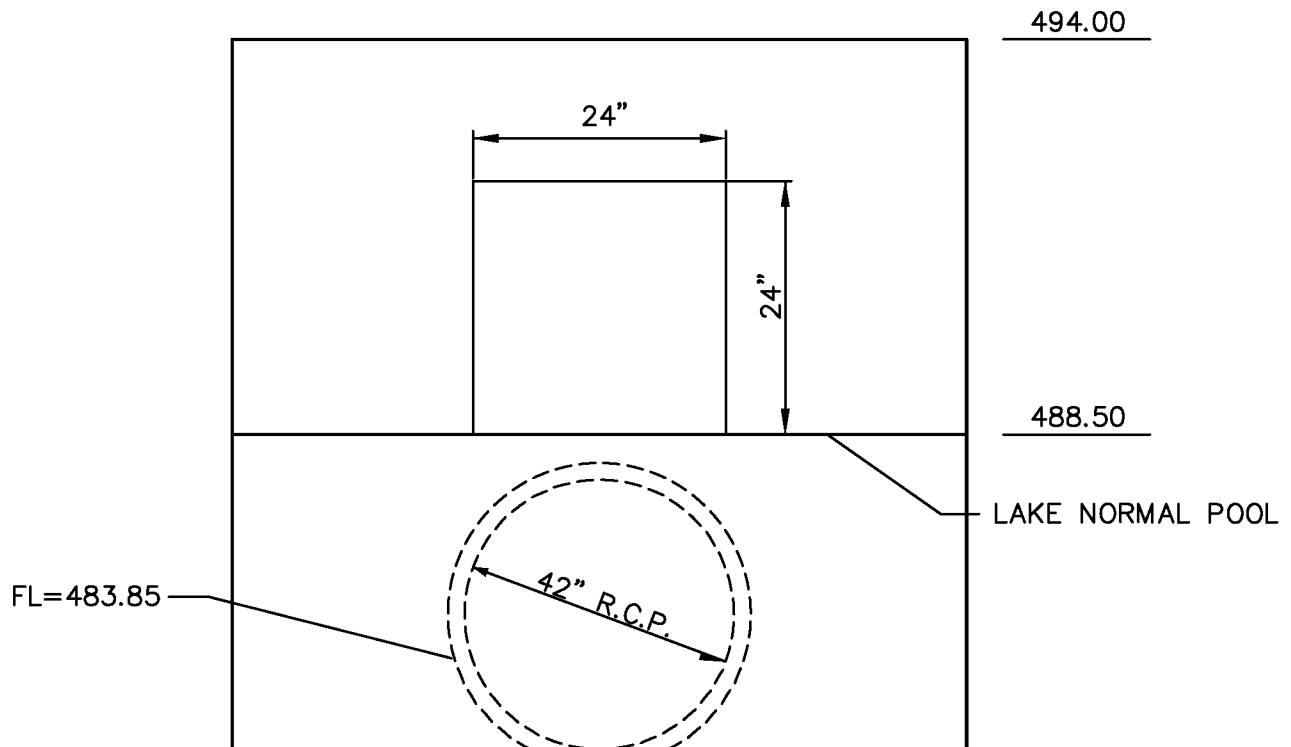
TOP OF BASIN BERM 497.00 ft  
FREEBOARD 1.67 ft

# Appendix A

- Structure Details
- Misc Figures



**TOP VIEW**  
N.T.S.



**OVERFLOW STRUCTURE 2**

N.T.S.

**NORMAL DESIGN BASIN HIGHWATERS**

2 YR, 20 MIN HW = 489.16  
 15 YR, 20 MIN HW = 489.54  
 25 YR, 20 MIN HW = 489.77  
 100 YR, 20 MIN HW = 490.10  
 100 YR, 20 MIN LFB HW = 494.90

**FLOODED DESIGN BASIN HIGHWATERS**

2 YR, 20 MIN HW = 489.20  
 15 YR, 20 MIN HW = 489.61  
 25 YR, 20 MIN HW = 489.87  
 100 YR, 20 MIN HW = 490.23  
 100 YR, 20 MIN LFB HW = 495.33



# BAX ENGINEERING

Engineering - Planning - Surveying

221 Point West Blvd.

St. Charles, MO 63301

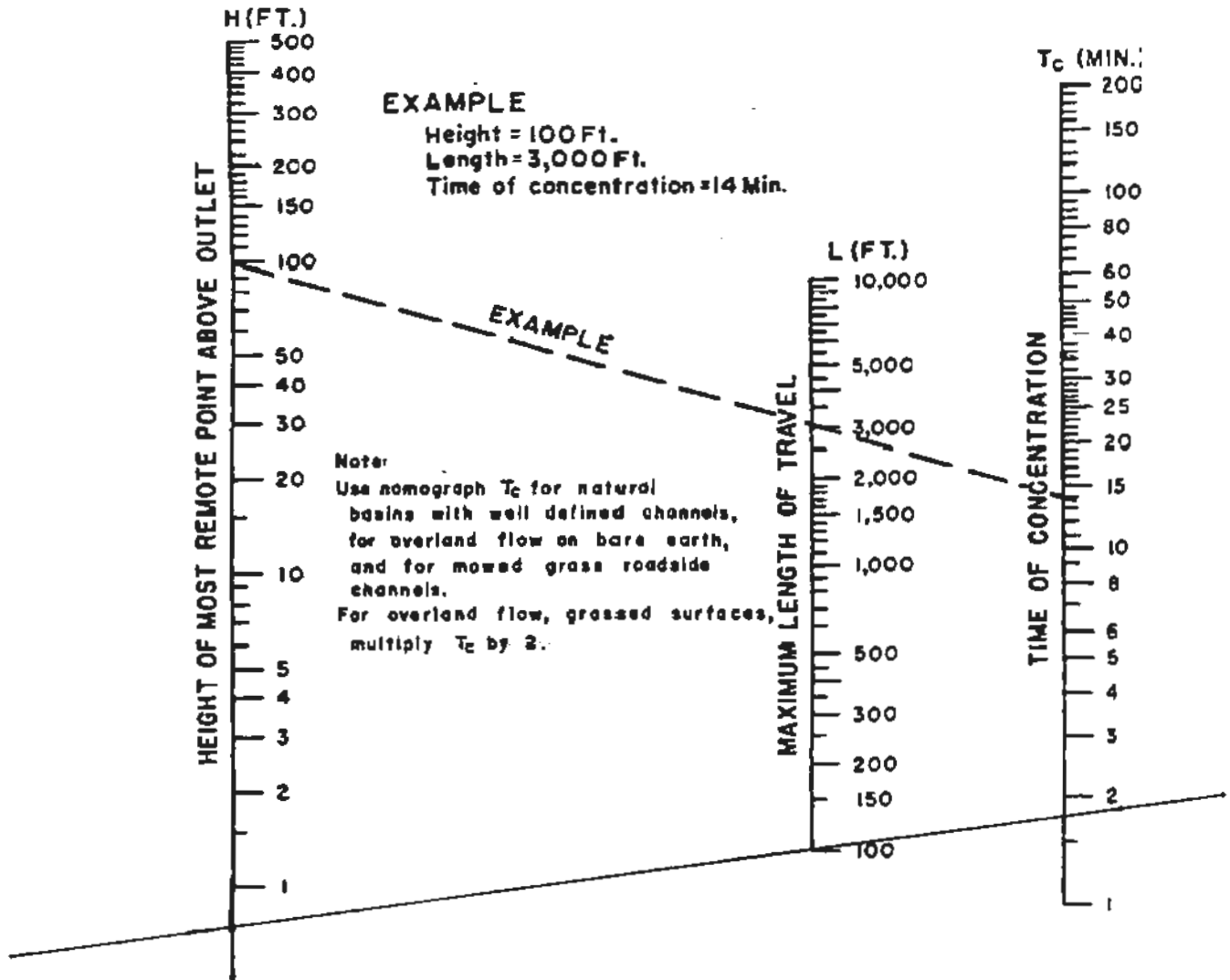
636 928-5552 FAX 636 928-1718

Project: \_\_\_\_\_

Date: \_\_\_\_\_ Project No: \_\_\_\_\_

Designer: \_\_\_\_\_ Checked: \_\_\_\_\_

## TIME OF CONCENTRATION FOR SMALL DRAINAGE BASINS



$\Delta$  Height = 504.80 - 504.10 = 0.7

Length = 100

$T_c = 1.75 (0.4 \text{ pavement}) = 0.7 \text{ min}$

# Appendix B

- Basin Routing
  - Basin Inflow
  - 2 year Detention Routing
  - 15 year Detention Routing
  - 25 year Detention Routing
  - 100 year Detention Routing

## Table of Contents

	Master Network Summary	1
Site Runoff	Read Hydrograph	2
	Read Hydrograph	3
	Read Hydrograph	4
	Read Hydrograph	5
	Read Hydrograph	6
Basin	Elevation-Area Volume Curve	7
	Volume Equations	8
LFB	Outlet Input Data	9
	Composite Rating Curve	13
OS 101	Outlet Input Data	30
	Composite Rating Curve	34
Basin	Elevation-Volume-Flow Table (Pond)	59
	Elevation-Volume-Flow Table (Pond)	68
	Elevation-Volume-Flow Table (Pond)	77
	Elevation-Volume-Flow Table (Pond)	86
	Elevation-Volume-Flow Table (Pond)	95
Basin (IN)	Level Pool Pond Routing Summary	104
	Level Pool Pond Routing Summary	105
	Level Pool Pond Routing Summary	106
	Level Pool Pond Routing Summary	107
	Level Pool Pond Routing Summary	108
	Pond Inflow Summary	109
	Pond Inflow Summary	110
	Pond Inflow Summary	111
	Pond Inflow Summary	112
	Pond Inflow Summary	113

Subsection: Master Network Summary

**Catchments Summary**

Label	Scenario	Return Event (years)	Hydrograph Volume (ft <sup>3</sup> )	Time to Peak (min)	Peak Flow (ft <sup>3</sup> /s)
Site Runoff	2 Year 20 Min	0	38,580.000	5	32.15
Site Runoff	15 Year 20 Min	0	62,256.000	5	51.88
Site Runoff	25 Year 20 Min	0	76,824.000	5	64.02
Site Runoff	100 Year 20 Min	0	98,292.000	5	81.91
Site Runoff	100 Yr LFB	0	98,292.000	5	81.91

**Node Summary**

Label	Scenario	Return Event (years)	Hydrograph Volume (ft <sup>3</sup> )	Time to Peak (min)	Peak Flow (ft <sup>3</sup> /s)
Out 10	2 Year 20 Min	0	18,860.000	24	3.22
Out 10	15 Year 20 Min	0	34,642.000	24	6.38
Out 10	25 Year 20 Min	0	45,011.000	24	8.58
Out 10	100 Year 20 Min	0	60,924.000	24	12.11
Out 10	100 Yr LFB	0	97,309.000	21	45.81

**Pond Summary**

Label	Scenario	Return Event (years)	Hydrograph Volume (ft <sup>3</sup> )	Time to Peak (min)	Peak Flow (ft <sup>3</sup> /s)	Maximum Water Surface Elevation (ft)	Maximum Pond Storage (ft <sup>3</sup> )
Basin (IN)	2 Year 20 Min	0	38,580.000	5	32.15	(N/A)	(N/A)
Basin (OUT)	2 Year 20 Min	0	18,860.000	24	3.22	489.16	461,727.000
Basin (IN)	15 Year 20 Min	0	62,256.000	5	51.88	(N/A)	(N/A)
Basin (OUT)	15 Year 20 Min	0	34,642.000	24	6.38	489.54	483,374.000
Basin (IN)	25 Year 20 Min	0	76,824.000	5	64.02	(N/A)	(N/A)
Basin (OUT)	25 Year 20 Min	0	45,011.000	24	8.58	489.77	496,520.000
Basin (IN)	100 Year 20 Min	0	98,292.000	5	81.91	(N/A)	(N/A)
Basin (OUT)	100 Year 20 Min	0	60,924.000	24	12.11	490.10	515,701.000
Basin (IN)	100 Yr LFB	0	97,309.000	6	81.91	(N/A)	(N/A)
Basin (OUT)	100 Yr LFB	0	97,309.000	21	45.81	494.87	833,325.000

Subsection: Read Hydrograph  
 Label: Site Runoff

Return Event: 2 years  
 Storm Event:

Peak Discharge	32.15 ft <sup>3</sup> /s
Time to Peak	11 min
Hydrograph Volume	38,580.000 ft <sup>3</sup>

**HYDROGRAPH ORDINATES (ft<sup>3</sup>/s)**

**Output Time Increment = 1 min**

**Time on left represents time for first value in each row.**

Time (min)	Flow (ft <sup>3</sup> /s)	Flow (ft <sup>3</sup> /s)	Flow (ft <sup>3</sup> /s)	Flow (ft <sup>3</sup> /s)	Flow (ft <sup>3</sup> /s)
0	0.00	6.43	12.86	19.29	25.72
5	32.15	32.15	32.15	32.15	32.15
10	32.15	32.15	32.15	32.15	32.15
15	32.15	32.15	32.15	32.15	32.15
20	32.15	25.72	19.29	12.86	6.43
25	0.00	0.00	0.00	0.00	0.00
30	0.00	0.00	0.00	0.00	0.00
35	0.00	0.00	0.00	0.00	0.00
40	0.00	0.00	0.00	0.00	0.00
45	0.00	0.00	0.00	0.00	0.00
50	0.00	0.00	0.00	0.00	0.00
55	0.00	0.00	0.00	0.00	0.00
60	0.00	0.00	0.00	0.00	0.00
65	0.00	0.00	0.00	0.00	0.00
70	0.00	0.00	0.00	0.00	0.00
75	0.00	0.00	0.00	0.00	0.00
80	0.00	0.00	0.00	0.00	0.00
85	0.00	0.00	0.00	0.00	0.00
90	0.00	(N/A)	(N/A)	(N/A)	(N/A)



Subsection: Read Hydrograph  
 Label: Site Runoff

Return Event: 15 years  
 Storm Event:

Peak Discharge	51.88 ft <sup>3</sup> /s
Time to Peak	11 min
Hydrograph Volume	62,256.000 ft <sup>3</sup>

**HYDROGRAPH ORDINATES (ft<sup>3</sup>/s)**

**Output Time Increment = 1 min**

**Time on left represents time for first value in each row.**

Time (min)	Flow (ft <sup>3</sup> /s)	Flow (ft <sup>3</sup> /s)	Flow (ft <sup>3</sup> /s)	Flow (ft <sup>3</sup> /s)	Flow (ft <sup>3</sup> /s)
0	0.00	10.38	20.75	31.13	41.50
5	51.88	51.88	51.88	51.88	51.88
10	51.88	51.88	51.88	51.88	51.88
15	51.88	51.88	51.88	51.88	51.88
20	51.88	41.50	31.13	20.75	10.38
25	0.00	0.00	0.00	0.00	0.00
30	0.00	0.00	0.00	0.00	0.00
35	0.00	0.00	0.00	0.00	0.00
40	0.00	0.00	0.00	0.00	0.00
45	0.00	0.00	0.00	0.00	0.00
50	0.00	0.00	0.00	0.00	0.00
55	0.00	0.00	0.00	0.00	0.00
60	0.00	0.00	0.00	0.00	0.00
65	0.00	0.00	0.00	0.00	0.00
70	0.00	0.00	0.00	0.00	0.00
75	0.00	0.00	0.00	0.00	0.00
80	0.00	0.00	0.00	0.00	0.00
85	0.00	0.00	0.00	0.00	0.00
90	0.00	(N/A)	(N/A)	(N/A)	(N/A)

Subsection: Read Hydrograph  
 Label: Site Runoff

Return Event: 25 years  
 Storm Event:

Peak Discharge	64.02 ft <sup>3</sup> /s
Time to Peak	11 min
Hydrograph Volume	76,824.000 ft <sup>3</sup>

**HYDROGRAPH ORDINATES (ft<sup>3</sup>/s)**

**Output Time Increment = 1 min**

**Time on left represents time for first value in each row.**

Time (min)	Flow (ft <sup>3</sup> /s)	Flow (ft <sup>3</sup> /s)	Flow (ft <sup>3</sup> /s)	Flow (ft <sup>3</sup> /s)	Flow (ft <sup>3</sup> /s)
0	0.00	12.80	25.61	38.41	51.22
5	64.02	64.02	64.02	64.02	64.02
10	64.02	64.02	64.02	64.02	64.02
15	64.02	64.02	64.02	64.02	64.02
20	64.02	51.22	38.41	25.61	12.80
25	0.00	0.00	0.00	0.00	0.00
30	0.00	0.00	0.00	0.00	0.00
35	0.00	0.00	0.00	0.00	0.00
40	0.00	0.00	0.00	0.00	0.00
45	0.00	0.00	0.00	0.00	0.00
50	0.00	0.00	0.00	0.00	0.00
55	0.00	0.00	0.00	0.00	0.00
60	0.00	0.00	0.00	0.00	0.00
65	0.00	0.00	0.00	0.00	0.00
70	0.00	0.00	0.00	0.00	0.00
75	0.00	0.00	0.00	0.00	0.00
80	0.00	0.00	0.00	0.00	0.00
85	0.00	0.00	0.00	0.00	0.00
90	0.00	(N/A)	(N/A)	(N/A)	(N/A)

Subsection: Read Hydrograph  
 Label: Site Runoff

Return Event: 100 years  
 Storm Event:

Peak Discharge	81.91 ft <sup>3</sup> /s
Time to Peak	11 min
Hydrograph Volume	98,292.000 ft <sup>3</sup>

**HYDROGRAPH ORDINATES (ft<sup>3</sup>/s)**

**Output Time Increment = 1 min**

**Time on left represents time for first value in each row.**

Time (min)	Flow (ft <sup>3</sup> /s)	Flow (ft <sup>3</sup> /s)	Flow (ft <sup>3</sup> /s)	Flow (ft <sup>3</sup> /s)	Flow (ft <sup>3</sup> /s)
0	0.00	16.38	32.76	49.15	65.53
5	81.91	81.91	81.91	81.91	81.91
10	81.91	81.91	81.91	81.91	81.91
15	81.91	81.91	81.91	81.91	81.91
20	81.91	65.53	49.15	32.76	16.38
25	0.00	0.00	0.00	0.00	0.00
30	0.00	0.00	0.00	0.00	0.00
35	0.00	0.00	0.00	0.00	0.00
40	0.00	0.00	0.00	0.00	0.00
45	0.00	0.00	0.00	0.00	0.00
50	0.00	0.00	0.00	0.00	0.00
55	0.00	0.00	0.00	0.00	0.00
60	0.00	0.00	0.00	0.00	0.00
65	0.00	0.00	0.00	0.00	0.00
70	0.00	0.00	0.00	0.00	0.00
75	0.00	0.00	0.00	0.00	0.00
80	0.00	0.00	0.00	0.00	0.00
85	0.00	0.00	0.00	0.00	0.00
90	0.00	(N/A)	(N/A)	(N/A)	(N/A)

Subsection: Read Hydrograph  
 Label: Site Runoff

Return Event: 101 years  
 Storm Event:

Peak Discharge	81.91 ft <sup>3</sup> /s
Time to Peak	11 min
Hydrograph Volume	98,292.000 ft <sup>3</sup>

**HYDROGRAPH ORDINATES (ft<sup>3</sup>/s)**

**Output Time Increment = 1 min**

**Time on left represents time for first value in each row.**

Time (min)	Flow (ft <sup>3</sup> /s)	Flow (ft <sup>3</sup> /s)	Flow (ft <sup>3</sup> /s)	Flow (ft <sup>3</sup> /s)	Flow (ft <sup>3</sup> /s)
0	0.00	16.38	32.76	49.15	65.53
5	81.91	81.91	81.91	81.91	81.91
10	81.91	81.91	81.91	81.91	81.91
15	81.91	81.91	81.91	81.91	81.91
20	81.91	65.53	49.15	32.76	16.38
25	0.00	0.00	0.00	0.00	0.00
30	0.00	0.00	0.00	0.00	0.00
35	0.00	0.00	0.00	0.00	0.00
40	0.00	0.00	0.00	0.00	0.00
45	0.00	0.00	0.00	0.00	0.00
50	0.00	0.00	0.00	0.00	0.00
55	0.00	0.00	0.00	0.00	0.00
60	0.00	0.00	0.00	0.00	0.00
65	0.00	0.00	0.00	0.00	0.00
70	0.00	0.00	0.00	0.00	0.00
75	0.00	0.00	0.00	0.00	0.00
80	0.00	0.00	0.00	0.00	0.00
85	0.00	0.00	0.00	0.00	0.00
90	0.00	(N/A)	(N/A)	(N/A)	(N/A)

Subsection: Elevation-Area Volume Curve  
 Label: Basin

Return Event: 2 years  
 Storm Event:

Elevation (ft)	Planimeter (ft <sup>2</sup> )	Area (ft <sup>2</sup> )	A1+A2+sqr (A1*A2) (ft <sup>2</sup> )	Volume (ft <sup>3</sup> )	Volume (Total) (ft <sup>3</sup> )
478.00	0.00	28,132.00	0.00	0.000	0.000
479.00	0.00	30,262.00	87,571.57	29,191.000	29,191.000
480.00	0.00	32,466.00	94,072.63	31,358.000	60,548.000
481.00	0.00	34,750.00	100,804.59	33,602.000	94,150.000
482.00	0.00	37,098.00	107,752.81	35,918.000	130,067.000
483.00	0.00	39,528.00	114,919.73	38,307.000	168,374.000
484.00	0.00	42,035.00	122,325.23	40,775.000	209,149.000
485.00	0.00	44,619.00	129,961.73	43,321.000	252,469.000
486.00	0.00	47,278.00	137,826.26	45,942.000	298,412.000
487.00	0.00	50,018.00	145,924.71	48,642.000	347,053.000
488.00	0.00	52,836.00	154,261.69	51,421.000	398,474.000
489.00	0.00	55,732.00	162,832.68	54,278.000	452,751.000
490.00	0.00	58,711.00	171,645.11	57,215.000	509,966.000
491.00	0.00	61,769.00	180,700.59	60,234.000	570,200.000
492.00	0.00	64,907.00	189,994.56	63,332.000	633,531.000
493.00	0.00	68,125.00	199,528.54	66,510.000	700,041.000
494.00	0.00	71,416.00	209,292.09	69,764.000	769,805.000
495.00	0.00	74,769.00	219,258.27	73,086.000	842,891.000
496.00	0.00	78,204.00	229,440.21	76,480.000	919,371.000
497.00	0.00	81,670.00	239,792.21	79,931.000	999,302.000

Subsection: Volume Equations  
Label: Basin

Return Event: 2 years  
Storm Event:

### Pond Volume Equations

\* Incremental volume computed by the Conic Method for Reservoir Volumes.

$$\text{Volume} = (1/3) * (\text{EL2} - \text{EL1}) * (\text{Area1} + \text{Area2} + \text{sqr}(\text{Area1} * \text{Area2}))$$

where:    EL1, EL2            Lower and upper elevations of the increment  
          Area1, Area2        Areas computed for EL1, EL2, respectively  
          Volume             Incremental volume between EL1 and EL2

Subsection: Outlet Input Data  
 Label: LFB

Return Event: 101 years  
 Storm Event:

Requested Pond Water Surface Elevations	
Minimum (Headwater)	478.00 ft
Increment (Headwater)	0.05 ft
Maximum (Headwater)	497.00 ft

**Outlet Connectivity**

Structure Type	Outlet ID	Direction	Outfall	E1 (ft)	E2 (ft)
Inlet Box	Riser - 1	Forward	Culvert - 1	494.00	497.00
Culvert-Circular	Culvert - 1	Forward	TW	483.85	497.00
Tailwater Settings	Tailwater			(N/A)	(N/A)

Subsection: Outlet Input Data  
 Label: LFB

Return Event: 101 years  
 Storm Event:

---

Structure ID: Riser - 1  
 Structure Type: Inlet Box

---

Number of Openings	1
Elevation	494.00 ft
Orifice Area	21.06 ft <sup>2</sup>
Orifice Coefficient	0.600
Weir Length	18.76 ft
Weir Coefficient	3.00 (ft <sup>0.5</sup> )/s
K Reverse	1.000
Manning's n	0.000
Kev, Charged Riser	0.000
Weir Submergence	False
Orifice H to crest	False

---



---

Structure ID: Culvert - 1  
 Structure Type: Culvert-Circular

---

Number of Barrels	1
Diameter	42.0 in
Length	75.25 ft
Length (Computed Barrel)	75.25 ft
Slope (Computed)	0.010 ft/ft

---



---

Outlet Control Data

---

Manning's n	0.013
Ke	0.200
Kb	0.006
Kr	0.000
Convergence Tolerance	0.00 ft

---



---

Inlet Control Data

---

Equation Form	Form 1
K	0.0045
M	2.0000
C	0.0317
Y	0.6900
T1 ratio (HW/D)	1.090
T2 ratio (HW/D)	1.192
Slope Correction Factor	-0.500

---



Subsection: Outlet Input Data  
Label: LFB

Return Event: 101 years  
Storm Event:

---

Use unsubmerged inlet control 0 equation below T1 elevation.

Use submerged inlet control 0 equation above T2 elevation

In transition zone between unsubmerged and submerged inlet control, interpolate between flows at T1 & T2...

---

T1 Elevation	487.67 ft	T1 Flow	63.00 ft <sup>3</sup> /s
T2 Elevation	488.02 ft	T2 Flow	72.00 ft <sup>3</sup> /s

---

Subsection: Outlet Input Data  
Label: LFB

Return Event: 101 years  
Storm Event:

---

Structure ID: TW	
Structure Type: TW Setup, DS Channel	
Tailwater Type	Free Outfall

---

Convergence Tolerances	
Maximum Iterations	30
Tailwater Tolerance (Minimum)	0.01 ft
Tailwater Tolerance (Maximum)	0.50 ft
Headwater Tolerance (Minimum)	0.01 ft
Headwater Tolerance (Maximum)	0.50 ft
Flow Tolerance (Minimum)	0.001 ft <sup>3</sup> /s
Flow Tolerance (Maximum)	10.000 ft <sup>3</sup> /s

---

Subsection: Composite Rating Curve  
 Label: LFB

Return Event: 101 years  
 Storm Event:

Composite Outflow Summary

Water Surface Elevation (ft)	Flow (ft <sup>3</sup> /s)	Tailwater Elevation (ft)	Convergence Error (ft)
478.00	0.00	(N/A)	0.00
478.05	0.00	(N/A)	0.00
478.10	0.00	(N/A)	0.00
478.15	0.00	(N/A)	0.00
478.20	0.00	(N/A)	0.00
478.25	0.00	(N/A)	0.00
478.30	0.00	(N/A)	0.00
478.35	0.00	(N/A)	0.00
478.40	0.00	(N/A)	0.00
478.45	0.00	(N/A)	0.00
478.50	0.00	(N/A)	0.00
478.55	0.00	(N/A)	0.00
478.60	0.00	(N/A)	0.00
478.65	0.00	(N/A)	0.00
478.70	0.00	(N/A)	0.00
478.75	0.00	(N/A)	0.00
478.80	0.00	(N/A)	0.00
478.85	0.00	(N/A)	0.00
478.90	0.00	(N/A)	0.00
478.95	0.00	(N/A)	0.00
479.00	0.00	(N/A)	0.00
479.05	0.00	(N/A)	0.00
479.10	0.00	(N/A)	0.00
479.15	0.00	(N/A)	0.00
479.20	0.00	(N/A)	0.00
479.25	0.00	(N/A)	0.00
479.30	0.00	(N/A)	0.00
479.35	0.00	(N/A)	0.00
479.40	0.00	(N/A)	0.00
479.45	0.00	(N/A)	0.00
479.50	0.00	(N/A)	0.00
479.55	0.00	(N/A)	0.00
479.60	0.00	(N/A)	0.00
479.65	0.00	(N/A)	0.00
479.70	0.00	(N/A)	0.00
479.75	0.00	(N/A)	0.00
479.80	0.00	(N/A)	0.00
479.85	0.00	(N/A)	0.00
479.90	0.00	(N/A)	0.00
479.95	0.00	(N/A)	0.00
480.00	0.00	(N/A)	0.00
480.05	0.00	(N/A)	0.00
480.10	0.00	(N/A)	0.00
480.15	0.00	(N/A)	0.00

Subsection: Composite Rating Curve  
 Label: LFB

Return Event: 101 years  
 Storm Event:

Composite Outflow Summary

Water Surface Elevation (ft)	Flow (ft <sup>3</sup> /s)	Tailwater Elevation (ft)	Convergence Error (ft)
480.20	0.00	(N/A)	0.00
480.25	0.00	(N/A)	0.00
480.30	0.00	(N/A)	0.00
480.35	0.00	(N/A)	0.00
480.40	0.00	(N/A)	0.00
480.45	0.00	(N/A)	0.00
480.50	0.00	(N/A)	0.00
480.55	0.00	(N/A)	0.00
480.60	0.00	(N/A)	0.00
480.65	0.00	(N/A)	0.00
480.70	0.00	(N/A)	0.00
480.75	0.00	(N/A)	0.00
480.80	0.00	(N/A)	0.00
480.85	0.00	(N/A)	0.00
480.90	0.00	(N/A)	0.00
480.95	0.00	(N/A)	0.00
481.00	0.00	(N/A)	0.00
481.05	0.00	(N/A)	0.00
481.10	0.00	(N/A)	0.00
481.15	0.00	(N/A)	0.00
481.20	0.00	(N/A)	0.00
481.25	0.00	(N/A)	0.00
481.30	0.00	(N/A)	0.00
481.35	0.00	(N/A)	0.00
481.40	0.00	(N/A)	0.00
481.45	0.00	(N/A)	0.00
481.50	0.00	(N/A)	0.00
481.55	0.00	(N/A)	0.00
481.60	0.00	(N/A)	0.00
481.65	0.00	(N/A)	0.00
481.70	0.00	(N/A)	0.00
481.75	0.00	(N/A)	0.00
481.80	0.00	(N/A)	0.00
481.85	0.00	(N/A)	0.00
481.90	0.00	(N/A)	0.00
481.95	0.00	(N/A)	0.00
482.00	0.00	(N/A)	0.00
482.05	0.00	(N/A)	0.00
482.10	0.00	(N/A)	0.00
482.15	0.00	(N/A)	0.00
482.20	0.00	(N/A)	0.00
482.25	0.00	(N/A)	0.00
482.30	0.00	(N/A)	0.00
482.35	0.00	(N/A)	0.00

Subsection: Composite Rating Curve  
 Label: LFB

Return Event: 101 years  
 Storm Event:

Composite Outflow Summary

Water Surface Elevation (ft)	Flow (ft <sup>3</sup> /s)	Tailwater Elevation (ft)	Convergence Error (ft)
482.40	0.00	(N/A)	0.00
482.45	0.00	(N/A)	0.00
482.50	0.00	(N/A)	0.00
482.55	0.00	(N/A)	0.00
482.60	0.00	(N/A)	0.00
482.65	0.00	(N/A)	0.00
482.70	0.00	(N/A)	0.00
482.75	0.00	(N/A)	0.00
482.80	0.00	(N/A)	0.00
482.85	0.00	(N/A)	0.00
482.90	0.00	(N/A)	0.00
482.95	0.00	(N/A)	0.00
483.00	0.00	(N/A)	0.00
483.05	0.00	(N/A)	0.00
483.10	0.00	(N/A)	0.00
483.15	0.00	(N/A)	0.00
483.20	0.00	(N/A)	0.00
483.25	0.00	(N/A)	0.00
483.30	0.00	(N/A)	0.00
483.35	0.00	(N/A)	0.00
483.40	0.00	(N/A)	0.00
483.45	0.00	(N/A)	0.00
483.50	0.00	(N/A)	0.00
483.55	0.00	(N/A)	0.00
483.60	0.00	(N/A)	0.00
483.65	0.00	(N/A)	0.00
483.70	0.00	(N/A)	0.00
483.75	0.00	(N/A)	0.00
483.80	0.00	(N/A)	0.00
483.85	0.00	(N/A)	0.00
483.90	0.00	(N/A)	0.00
483.95	0.00	(N/A)	0.00
484.00	0.00	(N/A)	0.00
484.05	0.00	(N/A)	0.00
484.10	0.00	(N/A)	0.00
484.15	0.00	(N/A)	0.00
484.20	0.00	(N/A)	0.00
484.25	0.00	(N/A)	0.00
484.30	0.00	(N/A)	0.00
484.35	0.00	(N/A)	0.00
484.40	0.00	(N/A)	0.00
484.45	0.00	(N/A)	0.00
484.50	0.00	(N/A)	0.00
484.55	0.00	(N/A)	0.00

Subsection: Composite Rating Curve  
 Label: LFB

Return Event: 101 years  
 Storm Event:

Composite Outflow Summary

Water Surface Elevation (ft)	Flow (ft <sup>3</sup> /s)	Tailwater Elevation (ft)	Convergence Error (ft)
484.60	0.00	(N/A)	0.00
484.65	0.00	(N/A)	0.00
484.70	0.00	(N/A)	0.00
484.75	0.00	(N/A)	0.00
484.80	0.00	(N/A)	0.00
484.85	0.00	(N/A)	0.00
484.90	0.00	(N/A)	0.00
484.95	0.00	(N/A)	0.00
485.00	0.00	(N/A)	0.00
485.05	0.00	(N/A)	0.00
485.10	0.00	(N/A)	0.00
485.15	0.00	(N/A)	0.00
485.20	0.00	(N/A)	0.00
485.25	0.00	(N/A)	0.00
485.30	0.00	(N/A)	0.00
485.35	0.00	(N/A)	0.00
485.40	0.00	(N/A)	0.00
485.45	0.00	(N/A)	0.00
485.50	0.00	(N/A)	0.00
485.55	0.00	(N/A)	0.00
485.60	0.00	(N/A)	0.00
485.65	0.00	(N/A)	0.00
485.70	0.00	(N/A)	0.00
485.75	0.00	(N/A)	0.00
485.80	0.00	(N/A)	0.00
485.85	0.00	(N/A)	0.00
485.90	0.00	(N/A)	0.00
485.95	0.00	(N/A)	0.00
486.00	0.00	(N/A)	0.00
486.05	0.00	(N/A)	0.00
486.10	0.00	(N/A)	0.00
486.15	0.00	(N/A)	0.00
486.20	0.00	(N/A)	0.00
486.25	0.00	(N/A)	0.00
486.30	0.00	(N/A)	0.00
486.35	0.00	(N/A)	0.00
486.40	0.00	(N/A)	0.00
486.45	0.00	(N/A)	0.00
486.50	0.00	(N/A)	0.00
486.55	0.00	(N/A)	0.00
486.60	0.00	(N/A)	0.00
486.65	0.00	(N/A)	0.00
486.70	0.00	(N/A)	0.00
486.75	0.00	(N/A)	0.00

Subsection: Composite Rating Curve  
 Label: LFB

Return Event: 101 years  
 Storm Event:

Composite Outflow Summary

Water Surface Elevation (ft)	Flow (ft <sup>3</sup> /s)	Tailwater Elevation (ft)	Convergence Error (ft)
486.80	0.00	(N/A)	0.00
486.85	0.00	(N/A)	0.00
486.90	0.00	(N/A)	0.00
486.95	0.00	(N/A)	0.00
487.00	0.00	(N/A)	0.00
487.05	0.00	(N/A)	0.00
487.10	0.00	(N/A)	0.00
487.15	0.00	(N/A)	0.00
487.20	0.00	(N/A)	0.00
487.25	0.00	(N/A)	0.00
487.30	0.00	(N/A)	0.00
487.35	0.00	(N/A)	0.00
487.40	0.00	(N/A)	0.00
487.45	0.00	(N/A)	0.00
487.50	0.00	(N/A)	0.00
487.55	0.00	(N/A)	0.00
487.60	0.00	(N/A)	0.00
487.65	0.00	(N/A)	0.00
487.70	0.00	(N/A)	0.00
487.75	0.00	(N/A)	0.00
487.80	0.00	(N/A)	0.00
487.85	0.00	(N/A)	0.00
487.90	0.00	(N/A)	0.00
487.95	0.00	(N/A)	0.00
488.00	0.00	(N/A)	0.00
488.05	0.00	(N/A)	0.00
488.10	0.00	(N/A)	0.00
488.15	0.00	(N/A)	0.00
488.20	0.00	(N/A)	0.00
488.25	0.00	(N/A)	0.00
488.30	0.00	(N/A)	0.00
488.35	0.00	(N/A)	0.00
488.40	0.00	(N/A)	0.00
488.45	0.00	(N/A)	0.00
488.50	0.00	(N/A)	0.00
488.55	0.00	(N/A)	0.00
488.60	0.00	(N/A)	0.00
488.65	0.00	(N/A)	0.00
488.70	0.00	(N/A)	0.00
488.75	0.00	(N/A)	0.00
488.80	0.00	(N/A)	0.00
488.85	0.00	(N/A)	0.00
488.90	0.00	(N/A)	0.00
488.95	0.00	(N/A)	0.00

Subsection: Composite Rating Curve  
 Label: LFB

Return Event: 101 years  
 Storm Event:

Composite Outflow Summary

Water Surface Elevation (ft)	Flow (ft <sup>3</sup> /s)	Tailwater Elevation (ft)	Convergence Error (ft)
489.00	0.00	(N/A)	0.00
489.05	0.00	(N/A)	0.00
489.10	0.00	(N/A)	0.00
489.15	0.00	(N/A)	0.00
489.20	0.00	(N/A)	0.00
489.25	0.00	(N/A)	0.00
489.30	0.00	(N/A)	0.00
489.35	0.00	(N/A)	0.00
489.40	0.00	(N/A)	0.00
489.45	0.00	(N/A)	0.00
489.50	0.00	(N/A)	0.00
489.55	0.00	(N/A)	0.00
489.60	0.00	(N/A)	0.00
489.65	0.00	(N/A)	0.00
489.70	0.00	(N/A)	0.00
489.75	0.00	(N/A)	0.00
489.80	0.00	(N/A)	0.00
489.85	0.00	(N/A)	0.00
489.90	0.00	(N/A)	0.00
489.95	0.00	(N/A)	0.00
490.00	0.00	(N/A)	0.00
490.05	0.00	(N/A)	0.00
490.10	0.00	(N/A)	0.00
490.15	0.00	(N/A)	0.00
490.20	0.00	(N/A)	0.00
490.25	0.00	(N/A)	0.00
490.30	0.00	(N/A)	0.00
490.35	0.00	(N/A)	0.00
490.40	0.00	(N/A)	0.00
490.45	0.00	(N/A)	0.00
490.50	0.00	(N/A)	0.00
490.55	0.00	(N/A)	0.00
490.60	0.00	(N/A)	0.00
490.65	0.00	(N/A)	0.00
490.70	0.00	(N/A)	0.00
490.75	0.00	(N/A)	0.00
490.80	0.00	(N/A)	0.00
490.85	0.00	(N/A)	0.00
490.90	0.00	(N/A)	0.00
490.95	0.00	(N/A)	0.00
491.00	0.00	(N/A)	0.00
491.05	0.00	(N/A)	0.00
491.10	0.00	(N/A)	0.00
491.15	0.00	(N/A)	0.00



Subsection: Composite Rating Curve  
 Label: LFB

Return Event: 101 years  
 Storm Event:

Composite Outflow Summary

Water Surface Elevation (ft)	Flow (ft <sup>3</sup> /s)	Tailwater Elevation (ft)	Convergence Error (ft)
491.20	0.00	(N/A)	0.00
491.25	0.00	(N/A)	0.00
491.30	0.00	(N/A)	0.00
491.35	0.00	(N/A)	0.00
491.40	0.00	(N/A)	0.00
491.45	0.00	(N/A)	0.00
491.50	0.00	(N/A)	0.00
491.55	0.00	(N/A)	0.00
491.60	0.00	(N/A)	0.00
491.65	0.00	(N/A)	0.00
491.70	0.00	(N/A)	0.00
491.75	0.00	(N/A)	0.00
491.80	0.00	(N/A)	0.00
491.85	0.00	(N/A)	0.00
491.90	0.00	(N/A)	0.00
491.95	0.00	(N/A)	0.00
492.00	0.00	(N/A)	0.00
492.05	0.00	(N/A)	0.00
492.10	0.00	(N/A)	0.00
492.15	0.00	(N/A)	0.00
492.20	0.00	(N/A)	0.00
492.25	0.00	(N/A)	0.00
492.30	0.00	(N/A)	0.00
492.35	0.00	(N/A)	0.00
492.40	0.00	(N/A)	0.00
492.45	0.00	(N/A)	0.00
492.50	0.00	(N/A)	0.00
492.55	0.00	(N/A)	0.00
492.60	0.00	(N/A)	0.00
492.65	0.00	(N/A)	0.00
492.70	0.00	(N/A)	0.00
492.75	0.00	(N/A)	0.00
492.80	0.00	(N/A)	0.00
492.85	0.00	(N/A)	0.00
492.90	0.00	(N/A)	0.00
492.95	0.00	(N/A)	0.00
493.00	0.00	(N/A)	0.00
493.05	0.00	(N/A)	0.00
493.10	0.00	(N/A)	0.00
493.15	0.00	(N/A)	0.00
493.20	0.00	(N/A)	0.00
493.25	0.00	(N/A)	0.00
493.30	0.00	(N/A)	0.00
493.35	0.00	(N/A)	0.00

Subsection: Composite Rating Curve  
 Label: LFB

Return Event: 101 years  
 Storm Event:

Composite Outflow Summary

Water Surface Elevation (ft)	Flow (ft <sup>3</sup> /s)	Tailwater Elevation (ft)	Convergence Error (ft)
493.40	0.00	(N/A)	0.00
493.45	0.00	(N/A)	0.00
493.50	0.00	(N/A)	0.00
493.55	0.00	(N/A)	0.00
493.60	0.00	(N/A)	0.00
493.65	0.00	(N/A)	0.00
493.70	0.00	(N/A)	0.00
493.75	0.00	(N/A)	0.00
493.80	0.00	(N/A)	0.00
493.85	0.00	(N/A)	0.00
493.90	0.00	(N/A)	0.00
493.95	0.00	(N/A)	0.00
494.00	0.00	(N/A)	0.00
494.05	0.63	(N/A)	0.00
494.10	1.78	(N/A)	0.00
494.15	3.27	(N/A)	0.00
494.20	5.03	(N/A)	0.00
494.25	7.04	(N/A)	0.00
494.30	9.25	(N/A)	0.00
494.35	11.65	(N/A)	0.00
494.40	14.24	(N/A)	0.00
494.45	16.99	(N/A)	0.00
494.50	19.90	(N/A)	0.00
494.55	22.96	(N/A)	0.00
494.60	26.16	(N/A)	0.00
494.65	29.49	(N/A)	0.00
494.70	32.94	(N/A)	0.00
494.75	36.55	(N/A)	0.00
494.80	40.29	(N/A)	0.00
494.85	44.09	(N/A)	0.00
494.90	48.06	(N/A)	0.00
494.95	52.13	(N/A)	0.00
495.00	56.28	(N/A)	0.00
495.05	60.54	(N/A)	0.00
495.10	64.91	(N/A)	0.00
495.15	69.39	(N/A)	0.00
495.20	73.99	(N/A)	0.00
495.25	78.65	(N/A)	0.00
495.30	83.42	(N/A)	0.00
495.35	88.26	(N/A)	0.00
495.40	93.22	(N/A)	0.00
495.45	98.28	(N/A)	0.00
495.50	103.39	(N/A)	0.00
495.55	108.61	(N/A)	0.00

Subsection: Composite Rating Curve  
 Label: LFB

Return Event: 101 years  
 Storm Event:

Composite Outflow Summary

Water Surface Elevation (ft)	Flow (ft <sup>3</sup> /s)	Tailwater Elevation (ft)	Convergence Error (ft)
495.60	113.90	(N/A)	0.00
495.65	119.28	(N/A)	0.00
495.70	124.75	(N/A)	0.00
495.75	130.29	(N/A)	0.00
495.80	135.91	(N/A)	0.00
495.85	137.87	(N/A)	0.00
495.90	139.72	(N/A)	0.00
495.95	141.54	(N/A)	0.00
496.00	143.35	(N/A)	0.00
496.05	145.13	(N/A)	0.00
496.10	146.89	(N/A)	0.00
496.15	148.63	(N/A)	0.00
496.20	150.34	(N/A)	0.00
496.25	152.04	(N/A)	0.00
496.30	153.72	(N/A)	0.00
496.35	155.39	(N/A)	0.00
496.40	157.03	(N/A)	0.00
496.45	158.66	(N/A)	0.00
496.50	160.27	(N/A)	0.00
496.55	161.86	(N/A)	0.00
496.60	163.44	(N/A)	0.00
496.65	165.01	(N/A)	0.00
496.70	166.56	(N/A)	0.00
496.75	168.09	(N/A)	0.00
496.80	169.61	(N/A)	0.00
496.85	171.12	(N/A)	0.00
496.90	172.61	(N/A)	0.00
496.95	174.10	(N/A)	0.00
497.00	175.56	(N/A)	0.00

Contributing Structures

(no Q: Riser - 1,Culvert - 1)
(no Q: Riser - 1,Culvert - 1)
(no Q: Riser - 1,Culvert - 1)
(no Q: Riser - 1,Culvert - 1)
(no Q: Riser - 1,Culvert - 1)
(no Q: Riser - 1,Culvert - 1)
(no Q: Riser - 1,Culvert - 1)
(no Q: Riser - 1,Culvert - 1)
(no Q: Riser - 1,Culvert - 1)
(no Q: Riser - 1,Culvert - 1)
(no Q: Riser - 1,Culvert - 1)
(no Q: Riser - 1,Culvert - 1)
(no Q: Riser - 1,Culvert - 1)
(no Q: Riser - 1,Culvert - 1)
(no Q: Riser - 1,Culvert - 1)





Subsection: Composite Rating Curve  
Label: LFB

Return Event: 101 years  
Storm Event:

Composite Outflow Summary

Contributing Structures
(no Q: Riser - 1,Culvert - 1)
(no Q: Riser - 1,Culvert - 1)
(no Q: Riser - 1,Culvert - 1)
(no Q: Riser - 1,Culvert - 1)
(no Q: Riser - 1,Culvert - 1)
(no Q: Riser - 1,Culvert - 1)
(no Q: Riser - 1,Culvert - 1)
(no Q: Riser - 1,Culvert - 1)
(no Q: Riser - 1,Culvert - 1)
(no Q: Riser - 1,Culvert - 1)
(no Q: Riser - 1,Culvert - 1)
(no Q: Riser - 1,Culvert - 1)
(no Q: Riser - 1,Culvert - 1)
(no Q: Riser - 1,Culvert - 1)
(no Q: Riser - 1,Culvert - 1)
(no Q: Riser - 1,Culvert - 1)
(no Q: Riser - 1,Culvert - 1)
(no Q: Riser - 1,Culvert - 1)
(no Q: Riser - 1,Culvert - 1)
(no Q: Riser - 1,Culvert - 1)
(no Q: Riser - 1,Culvert - 1)
(no Q: Riser - 1,Culvert - 1)
(no Q: Riser - 1,Culvert - 1)
(no Q: Riser - 1,Culvert - 1)
(no Q: Riser - 1,Culvert - 1)
(no Q: Riser - 1,Culvert - 1)
(no Q: Riser - 1,Culvert - 1)
(no Q: Riser - 1,Culvert - 1)
(no Q: Riser - 1,Culvert - 1)
(no Q: Riser - 1,Culvert - 1)
(no Q: Riser - 1,Culvert - 1)
(no Q: Riser - 1,Culvert - 1)
(no Q: Riser - 1,Culvert - 1)
(no Q: Riser - 1,Culvert - 1)
(no Q: Riser - 1,Culvert - 1)
(no Q: Riser - 1,Culvert - 1)
(no Q: Riser - 1,Culvert - 1)
(no Q: Riser - 1,Culvert - 1)
(no Q: Riser - 1,Culvert - 1)
(no Q: Riser - 1,Culvert - 1)
(no Q: Riser - 1,Culvert - 1)
(no Q: Riser - 1,Culvert - 1)
(no Q: Riser - 1,Culvert - 1)
(no Q: Riser - 1,Culvert - 1)
(no Q: Riser - 1,Culvert - 1)
(no Q: Riser - 1,Culvert - 1)
(no Q: Riser - 1,Culvert - 1)
(no Q: Riser - 1,Culvert - 1)

Composite Outflow Summary

Contributing Structures
(no Q: Riser - 1,Culvert - 1)
(no Q: Riser - 1,Culvert - 1)
(no Q: Riser - 1,Culvert - 1)
(no Q: Riser - 1,Culvert - 1)
(no Q: Riser - 1,Culvert - 1)
(no Q: Riser - 1,Culvert - 1)
(no Q: Riser - 1,Culvert - 1)
(no Q: Riser - 1,Culvert - 1)
(no Q: Riser - 1,Culvert - 1)
(no Q: Riser - 1,Culvert - 1)
(no Q: Riser - 1,Culvert - 1)
(no Q: Riser - 1,Culvert - 1)
(no Q: Riser - 1,Culvert - 1)
(no Q: Riser - 1,Culvert - 1)
(no Q: Riser - 1,Culvert - 1)
(no Q: Riser - 1,Culvert - 1)
(no Q: Riser - 1,Culvert - 1)
(no Q: Riser - 1,Culvert - 1)
(no Q: Riser - 1,Culvert - 1)
(no Q: Riser - 1,Culvert - 1)
(no Q: Riser - 1,Culvert - 1)
(no Q: Riser - 1,Culvert - 1)
(no Q: Riser - 1,Culvert - 1)
(no Q: Riser - 1,Culvert - 1)
(no Q: Riser - 1,Culvert - 1)
(no Q: Riser - 1,Culvert - 1)
(no Q: Riser - 1,Culvert - 1)
(no Q: Riser - 1,Culvert - 1)
(no Q: Riser - 1,Culvert - 1)
(no Q: Riser - 1,Culvert - 1)
(no Q: Riser - 1,Culvert - 1)
(no Q: Riser - 1,Culvert - 1)
(no Q: Riser - 1,Culvert - 1)
(no Q: Riser - 1,Culvert - 1)
(no Q: Riser - 1,Culvert - 1)
(no Q: Riser - 1,Culvert - 1)
(no Q: Riser - 1,Culvert - 1)
(no Q: Riser - 1,Culvert - 1)
(no Q: Riser - 1,Culvert - 1)
(no Q: Riser - 1,Culvert - 1)
(no Q: Riser - 1,Culvert - 1)
(no Q: Riser - 1,Culvert - 1)
(no Q: Riser - 1,Culvert - 1)
(no Q: Riser - 1,Culvert - 1)

Subsection: Composite Rating Curve  
Label: LFB

Return Event: 101 years  
Storm Event:

### Composite Outflow Summary

Contributing Structures
(no Q: Riser - 1,Culvert - 1)
(no Q: Riser - 1,Culvert - 1)
(no Q: Riser - 1,Culvert - 1)
(no Q: Riser - 1,Culvert - 1)
(no Q: Riser - 1,Culvert - 1)
(no Q: Riser - 1,Culvert - 1)
(no Q: Riser - 1,Culvert - 1)
(no Q: Riser - 1,Culvert - 1)
(no Q: Riser - 1,Culvert - 1)
(no Q: Riser - 1,Culvert - 1)
(no Q: Riser - 1,Culvert - 1)
(no Q: Riser - 1,Culvert - 1)
(no Q: Riser - 1,Culvert - 1)
(no Q: Riser - 1,Culvert - 1)
(no Q: Riser - 1,Culvert - 1)
(no Q: Riser - 1,Culvert - 1)
(no Q: Riser - 1,Culvert - 1)
(no Q: Riser - 1,Culvert - 1)
(no Q: Riser - 1,Culvert - 1)
(no Q: Riser - 1,Culvert - 1)
(no Q: Riser - 1,Culvert - 1)
(no Q: Riser - 1,Culvert - 1)
(no Q: Riser - 1,Culvert - 1)
(no Q: Riser - 1,Culvert - 1)
(no Q: Riser - 1,Culvert - 1)
(no Q: Riser - 1,Culvert - 1)
(no Q: Riser - 1,Culvert - 1)
(no Q: Riser - 1,Culvert - 1)
(no Q: Riser - 1,Culvert - 1)
(no Q: Riser - 1,Culvert - 1)
(no Q: Riser - 1,Culvert - 1)
(no Q: Riser - 1,Culvert - 1)
(no Q: Riser - 1,Culvert - 1)
(no Q: Riser - 1,Culvert - 1)
(no Q: Riser - 1,Culvert - 1)
(no Q: Riser - 1,Culvert - 1)
(no Q: Riser - 1,Culvert - 1)
(no Q: Riser - 1,Culvert - 1)
(no Q: Riser - 1,Culvert - 1)
(no Q: Riser - 1,Culvert - 1)
(no Q: Riser - 1,Culvert - 1)
(no Q: Riser - 1,Culvert - 1)
(no Q: Riser - 1,Culvert - 1)
(no Q: Riser - 1,Culvert - 1)
(no Q: Riser - 1,Culvert - 1)
(no Q: Riser - 1,Culvert - 1)
(no Q: Riser - 1,Culvert - 1)









Subsection: Outlet Input Data  
 Label: OS 101

Return Event: 2 years  
 Storm Event:

Requested Pond Water Surface Elevations	
Minimum (Headwater)	478.00 ft
Increment (Headwater)	0.05 ft
Maximum (Headwater)	497.00 ft

**Outlet Connectivity**

Structure Type	Outlet ID	Direction	Outfall	E1 (ft)	E2 (ft)
Rectangular Weir	Weir - 1	Forward	Culvert - 1	488.50	490.50
Inlet Box	Riser - 1	Forward	Culvert - 1	494.00	497.00
Orifice-Area	Orifice - 1	Forward	Culvert - 1	490.50	497.00
Culvert-Circular	Culvert - 1	Forward	TW	483.85	497.00
Tailwater Settings	Tailwater			(N/A)	(N/A)

Subsection: Outlet Input Data  
 Label: OS 101

Return Event: 2 years  
 Storm Event:

---

Structure ID: Weir - 1  
 Structure Type: Rectangular Weir

---

Number of Openings	1
Elevation	488.50 ft
Weir Length	2.00 ft
Weir Coefficient	3.00 (ft <sup>0.5</sup> )/s

---



---

Structure ID: Orifice - 1  
 Structure Type: Orifice-Area

---

Number of Openings	1
Elevation	488.50 ft
Orifice Area	4.00 ft <sup>2</sup>
Top Elevation	490.50 ft
Datum Elevation	489.50 ft
Orifice Coefficient	0.600

---



---

Structure ID: Riser - 1  
 Structure Type: Inlet Box

---

Number of Openings	1
Elevation	494.00 ft
Orifice Area	21.06 ft <sup>2</sup>
Orifice Coefficient	0.600
Weir Length	18.76 ft
Weir Coefficient	3.00 (ft <sup>0.5</sup> )/s
K Reverse	1.000
Manning's n	0.000
Kev, Charged Riser	0.000
Weir Submergence	False
Orifice H to crest	False

---



---

Structure ID: Culvert - 1  
 Structure Type: Culvert-Circular

---

Number of Barrels	1
Diameter	42.0 in
Length	75.25 ft
Length (Computed Barrel)	75.25 ft
Slope (Computed)	0.010 ft/ft

---



---

Outlet Control Data

---

Manning's n	0.013
Ke	0.200
Kb	0.006
Kr	0.000
Convergence Tolerance	0.00 ft

---

Subsection: Outlet Input Data  
 Label: OS 101

Return Event: 2 years  
 Storm Event:

Outlet Control Data	
Inlet Control Data	
Equation Form	Form 1
K	0.0045
M	2.0000
C	0.0317
Y	0.6900
T1 ratio (HW/D)	1.090
T2 ratio (HW/D)	1.192
Slope Correction Factor	-0.500

Use unsubmerged inlet control 0 equation below T1 elevation.  
 Use submerged inlet control 0 equation above T2 elevation

In transition zone between unsubmerged and submerged inlet control, interpolate between flows at T1 & T2...

T1 Elevation	487.67 ft	T1 Flow	63.00 ft <sup>3</sup> /s
T2 Elevation	488.02 ft	T2 Flow	72.00 ft <sup>3</sup> /s

Subsection: Outlet Input Data  
Label: OS 101

Return Event: 2 years  
Storm Event:

Structure ID: TW	
Structure Type: TW Setup, DS Channel	
Tailwater Type	Free Outfall
Convergence Tolerances	
Maximum Iterations	30
Tailwater Tolerance (Minimum)	0.01 ft
Tailwater Tolerance (Maximum)	0.50 ft
Headwater Tolerance (Minimum)	0.01 ft
Headwater Tolerance (Maximum)	0.50 ft
Flow Tolerance (Minimum)	0.001 ft <sup>3</sup> /s
Flow Tolerance (Maximum)	10.000 ft <sup>3</sup> /s

Subsection: Composite Rating Curve  
 Label: OS 101

Return Event: 2 years  
 Storm Event:

Composite Outflow Summary

Water Surface Elevation (ft)	Flow (ft <sup>3</sup> /s)	Tailwater Elevation (ft)	Convergence Error (ft)
478.00	0.00	(N/A)	0.00
478.05	0.00	(N/A)	0.00
478.10	0.00	(N/A)	0.00
478.15	0.00	(N/A)	0.00
478.20	0.00	(N/A)	0.00
478.25	0.00	(N/A)	0.00
478.30	0.00	(N/A)	0.00
478.35	0.00	(N/A)	0.00
478.40	0.00	(N/A)	0.00
478.45	0.00	(N/A)	0.00
478.50	0.00	(N/A)	0.00
478.55	0.00	(N/A)	0.00
478.60	0.00	(N/A)	0.00
478.65	0.00	(N/A)	0.00
478.70	0.00	(N/A)	0.00
478.75	0.00	(N/A)	0.00
478.80	0.00	(N/A)	0.00
478.85	0.00	(N/A)	0.00
478.90	0.00	(N/A)	0.00
478.95	0.00	(N/A)	0.00
479.00	0.00	(N/A)	0.00
479.05	0.00	(N/A)	0.00
479.10	0.00	(N/A)	0.00
479.15	0.00	(N/A)	0.00
479.20	0.00	(N/A)	0.00
479.25	0.00	(N/A)	0.00
479.30	0.00	(N/A)	0.00
479.35	0.00	(N/A)	0.00
479.40	0.00	(N/A)	0.00
479.45	0.00	(N/A)	0.00
479.50	0.00	(N/A)	0.00
479.55	0.00	(N/A)	0.00
479.60	0.00	(N/A)	0.00
479.65	0.00	(N/A)	0.00
479.70	0.00	(N/A)	0.00
479.75	0.00	(N/A)	0.00
479.80	0.00	(N/A)	0.00
479.85	0.00	(N/A)	0.00
479.90	0.00	(N/A)	0.00
479.95	0.00	(N/A)	0.00
480.00	0.00	(N/A)	0.00
480.05	0.00	(N/A)	0.00
480.10	0.00	(N/A)	0.00
480.15	0.00	(N/A)	0.00



Subsection: Composite Rating Curve  
 Label: OS 101

Return Event: 2 years  
 Storm Event:

Composite Outflow Summary

Water Surface Elevation (ft)	Flow (ft <sup>3</sup> /s)	Tailwater Elevation (ft)	Convergence Error (ft)
480.20	0.00	(N/A)	0.00
480.25	0.00	(N/A)	0.00
480.30	0.00	(N/A)	0.00
480.35	0.00	(N/A)	0.00
480.40	0.00	(N/A)	0.00
480.45	0.00	(N/A)	0.00
480.50	0.00	(N/A)	0.00
480.55	0.00	(N/A)	0.00
480.60	0.00	(N/A)	0.00
480.65	0.00	(N/A)	0.00
480.70	0.00	(N/A)	0.00
480.75	0.00	(N/A)	0.00
480.80	0.00	(N/A)	0.00
480.85	0.00	(N/A)	0.00
480.90	0.00	(N/A)	0.00
480.95	0.00	(N/A)	0.00
481.00	0.00	(N/A)	0.00
481.05	0.00	(N/A)	0.00
481.10	0.00	(N/A)	0.00
481.15	0.00	(N/A)	0.00
481.20	0.00	(N/A)	0.00
481.25	0.00	(N/A)	0.00
481.30	0.00	(N/A)	0.00
481.35	0.00	(N/A)	0.00
481.40	0.00	(N/A)	0.00
481.45	0.00	(N/A)	0.00
481.50	0.00	(N/A)	0.00
481.55	0.00	(N/A)	0.00
481.60	0.00	(N/A)	0.00
481.65	0.00	(N/A)	0.00
481.70	0.00	(N/A)	0.00
481.75	0.00	(N/A)	0.00
481.80	0.00	(N/A)	0.00
481.85	0.00	(N/A)	0.00
481.90	0.00	(N/A)	0.00
481.95	0.00	(N/A)	0.00
482.00	0.00	(N/A)	0.00
482.05	0.00	(N/A)	0.00
482.10	0.00	(N/A)	0.00
482.15	0.00	(N/A)	0.00
482.20	0.00	(N/A)	0.00
482.25	0.00	(N/A)	0.00
482.30	0.00	(N/A)	0.00
482.35	0.00	(N/A)	0.00

Subsection: Composite Rating Curve  
 Label: OS 101

Return Event: 2 years  
 Storm Event:

Composite Outflow Summary

Water Surface Elevation (ft)	Flow (ft <sup>3</sup> /s)	Tailwater Elevation (ft)	Convergence Error (ft)
482.40	0.00	(N/A)	0.00
482.45	0.00	(N/A)	0.00
482.50	0.00	(N/A)	0.00
482.55	0.00	(N/A)	0.00
482.60	0.00	(N/A)	0.00
482.65	0.00	(N/A)	0.00
482.70	0.00	(N/A)	0.00
482.75	0.00	(N/A)	0.00
482.80	0.00	(N/A)	0.00
482.85	0.00	(N/A)	0.00
482.90	0.00	(N/A)	0.00
482.95	0.00	(N/A)	0.00
483.00	0.00	(N/A)	0.00
483.05	0.00	(N/A)	0.00
483.10	0.00	(N/A)	0.00
483.15	0.00	(N/A)	0.00
483.20	0.00	(N/A)	0.00
483.25	0.00	(N/A)	0.00
483.30	0.00	(N/A)	0.00
483.35	0.00	(N/A)	0.00
483.40	0.00	(N/A)	0.00
483.45	0.00	(N/A)	0.00
483.50	0.00	(N/A)	0.00
483.55	0.00	(N/A)	0.00
483.60	0.00	(N/A)	0.00
483.65	0.00	(N/A)	0.00
483.70	0.00	(N/A)	0.00
483.75	0.00	(N/A)	0.00
483.80	0.00	(N/A)	0.00
483.85	0.00	(N/A)	0.00
483.90	0.00	(N/A)	0.00
483.95	0.00	(N/A)	0.00
484.00	0.00	(N/A)	0.00
484.05	0.00	(N/A)	0.00
484.10	0.00	(N/A)	0.00
484.15	0.00	(N/A)	0.00
484.20	0.00	(N/A)	0.00
484.25	0.00	(N/A)	0.00
484.30	0.00	(N/A)	0.00
484.35	0.00	(N/A)	0.00
484.40	0.00	(N/A)	0.00
484.45	0.00	(N/A)	0.00
484.50	0.00	(N/A)	0.00
484.55	0.00	(N/A)	0.00

Subsection: Composite Rating Curve  
 Label: OS 101

Return Event: 2 years  
 Storm Event:

Composite Outflow Summary

Water Surface Elevation (ft)	Flow (ft <sup>3</sup> /s)	Tailwater Elevation (ft)	Convergence Error (ft)
484.60	0.00	(N/A)	0.00
484.65	0.00	(N/A)	0.00
484.70	0.00	(N/A)	0.00
484.75	0.00	(N/A)	0.00
484.80	0.00	(N/A)	0.00
484.85	0.00	(N/A)	0.00
484.90	0.00	(N/A)	0.00
484.95	0.00	(N/A)	0.00
485.00	0.00	(N/A)	0.00
485.05	0.00	(N/A)	0.00
485.10	0.00	(N/A)	0.00
485.15	0.00	(N/A)	0.00
485.20	0.00	(N/A)	0.00
485.25	0.00	(N/A)	0.00
485.30	0.00	(N/A)	0.00
485.35	0.00	(N/A)	0.00
485.40	0.00	(N/A)	0.00
485.45	0.00	(N/A)	0.00
485.50	0.00	(N/A)	0.00
485.55	0.00	(N/A)	0.00
485.60	0.00	(N/A)	0.00
485.65	0.00	(N/A)	0.00
485.70	0.00	(N/A)	0.00
485.75	0.00	(N/A)	0.00
485.80	0.00	(N/A)	0.00
485.85	0.00	(N/A)	0.00
485.90	0.00	(N/A)	0.00
485.95	0.00	(N/A)	0.00
486.00	0.00	(N/A)	0.00
486.05	0.00	(N/A)	0.00
486.10	0.00	(N/A)	0.00
486.15	0.00	(N/A)	0.00
486.20	0.00	(N/A)	0.00
486.25	0.00	(N/A)	0.00
486.30	0.00	(N/A)	0.00
486.35	0.00	(N/A)	0.00
486.40	0.00	(N/A)	0.00
486.45	0.00	(N/A)	0.00
486.50	0.00	(N/A)	0.00
486.55	0.00	(N/A)	0.00
486.60	0.00	(N/A)	0.00
486.65	0.00	(N/A)	0.00
486.70	0.00	(N/A)	0.00
486.75	0.00	(N/A)	0.00

Subsection: Composite Rating Curve  
 Label: OS 101

Return Event: 2 years  
 Storm Event:

Composite Outflow Summary

Water Surface Elevation (ft)	Flow (ft <sup>3</sup> /s)	Tailwater Elevation (ft)	Convergence Error (ft)
486.80	0.00	(N/A)	0.00
486.85	0.00	(N/A)	0.00
486.90	0.00	(N/A)	0.00
486.95	0.00	(N/A)	0.00
487.00	0.00	(N/A)	0.00
487.05	0.00	(N/A)	0.00
487.10	0.00	(N/A)	0.00
487.15	0.00	(N/A)	0.00
487.20	0.00	(N/A)	0.00
487.25	0.00	(N/A)	0.00
487.30	0.00	(N/A)	0.00
487.35	0.00	(N/A)	0.00
487.40	0.00	(N/A)	0.00
487.45	0.00	(N/A)	0.00
487.50	0.00	(N/A)	0.00
487.55	0.00	(N/A)	0.00
487.60	0.00	(N/A)	0.00
487.65	0.00	(N/A)	0.00
487.70	0.00	(N/A)	0.00
487.75	0.00	(N/A)	0.00
487.80	0.00	(N/A)	0.00
487.85	0.00	(N/A)	0.00
487.90	0.00	(N/A)	0.00
487.95	0.00	(N/A)	0.00
488.00	0.00	(N/A)	0.00
488.05	0.00	(N/A)	0.00
488.10	0.00	(N/A)	0.00
488.15	0.00	(N/A)	0.00
488.20	0.00	(N/A)	0.00
488.25	0.00	(N/A)	0.00
488.30	0.00	(N/A)	0.00
488.35	0.00	(N/A)	0.00
488.40	0.00	(N/A)	0.00
488.45	0.00	(N/A)	0.00
488.50	0.00	(N/A)	0.00
488.55	0.07	(N/A)	0.00
488.60	0.19	(N/A)	0.00
488.65	0.35	(N/A)	0.00
488.70	0.54	(N/A)	0.00
488.75	0.75	(N/A)	0.00
488.80	0.99	(N/A)	0.00
488.85	1.24	(N/A)	0.00
488.90	1.52	(N/A)	0.00
488.95	1.81	(N/A)	0.00

Subsection: Composite Rating Curve  
 Label: OS 101

Return Event: 2 years  
 Storm Event:

Composite Outflow Summary

Water Surface Elevation (ft)	Flow (ft <sup>3</sup> /s)	Tailwater Elevation (ft)	Convergence Error (ft)
489.00	2.12	(N/A)	0.00
489.05	2.45	(N/A)	0.00
489.10	2.79	(N/A)	0.00
489.15	3.14	(N/A)	0.00
489.20	3.51	(N/A)	0.00
489.25	3.90	(N/A)	0.00
489.30	4.29	(N/A)	0.00
489.35	4.70	(N/A)	0.00
489.40	5.12	(N/A)	0.00
489.45	5.56	(N/A)	0.00
489.50	6.00	(N/A)	0.00
489.55	6.45	(N/A)	0.00
489.60	6.92	(N/A)	0.00
489.65	7.40	(N/A)	0.00
489.70	7.89	(N/A)	0.00
489.75	8.39	(N/A)	0.00
489.80	8.89	(N/A)	0.00
489.85	9.41	(N/A)	0.00
489.90	9.94	(N/A)	0.00
489.95	10.48	(N/A)	0.00
490.00	11.02	(N/A)	0.00
490.05	11.58	(N/A)	0.00
490.10	12.14	(N/A)	0.00
490.15	12.72	(N/A)	0.00
490.20	13.30	(N/A)	0.00
490.25	13.89	(N/A)	0.00
490.30	14.49	(N/A)	0.00
490.35	15.09	(N/A)	0.00
490.40	15.71	(N/A)	0.00
490.45	16.33	(N/A)	0.00
490.50	19.27	(N/A)	0.00
490.55	19.75	(N/A)	0.00
490.60	20.18	(N/A)	0.00
490.65	20.66	(N/A)	0.00
490.70	21.10	(N/A)	0.00
490.75	21.53	(N/A)	0.00
490.80	21.97	(N/A)	0.00
490.85	22.36	(N/A)	0.00
490.90	22.78	(N/A)	0.00
490.95	23.20	(N/A)	0.00
491.00	23.60	(N/A)	0.00
491.05	23.97	(N/A)	0.00
491.10	24.35	(N/A)	0.00
491.15	24.75	(N/A)	0.00

Subsection: Composite Rating Curve  
 Label: OS 101

Return Event: 2 years  
 Storm Event:

Composite Outflow Summary

Water Surface Elevation (ft)	Flow (ft <sup>3</sup> /s)	Tailwater Elevation (ft)	Convergence Error (ft)
491.20	25.10	(N/A)	0.00
491.25	25.45	(N/A)	0.00
491.30	25.83	(N/A)	0.00
491.35	26.18	(N/A)	0.00
491.40	26.54	(N/A)	0.00
491.45	26.87	(N/A)	0.00
491.50	27.24	(N/A)	0.00
491.55	27.56	(N/A)	0.00
491.60	27.90	(N/A)	0.00
491.65	28.21	(N/A)	0.00
491.70	28.55	(N/A)	0.00
491.75	28.89	(N/A)	0.00
491.80	29.20	(N/A)	0.00
491.85	29.52	(N/A)	0.00
491.90	29.83	(N/A)	0.00
491.95	30.15	(N/A)	0.00
492.00	30.44	(N/A)	0.00
492.05	30.75	(N/A)	0.00
492.10	31.05	(N/A)	0.00
492.15	31.32	(N/A)	0.00
492.20	31.63	(N/A)	0.00
492.25	31.93	(N/A)	0.00
492.30	32.23	(N/A)	0.00
492.35	32.50	(N/A)	0.00
492.40	32.76	(N/A)	0.00
492.45	33.07	(N/A)	0.00
492.50	33.33	(N/A)	0.00
492.55	33.64	(N/A)	0.00
492.60	33.89	(N/A)	0.00
492.65	34.16	(N/A)	0.00
492.70	34.43	(N/A)	0.00
492.75	34.71	(N/A)	0.00
492.80	34.96	(N/A)	0.00
492.85	35.23	(N/A)	0.00
492.90	35.49	(N/A)	0.00
492.95	35.76	(N/A)	0.00
493.00	36.02	(N/A)	0.00
493.05	36.28	(N/A)	0.00
493.10	36.51	(N/A)	0.00
493.15	36.77	(N/A)	0.00
493.20	37.03	(N/A)	0.00
493.25	37.30	(N/A)	0.00
493.30	37.54	(N/A)	0.00
493.35	37.75	(N/A)	0.00

Subsection: Composite Rating Curve  
 Label: OS 101

Return Event: 2 years  
 Storm Event:

Composite Outflow Summary

Water Surface Elevation (ft)	Flow (ft <sup>3</sup> /s)	Tailwater Elevation (ft)	Convergence Error (ft)
493.40	38.02	(N/A)	0.00
493.45	38.28	(N/A)	0.00
493.50	38.51	(N/A)	0.00
493.55	38.73	(N/A)	0.00
493.60	39.00	(N/A)	0.00
493.65	39.22	(N/A)	0.00
493.70	39.46	(N/A)	0.00
493.75	39.67	(N/A)	0.00
493.80	39.93	(N/A)	0.00
493.85	40.16	(N/A)	0.00
493.90	40.38	(N/A)	0.00
493.95	40.61	(N/A)	0.00
494.00	40.83	(N/A)	0.00
494.05	41.69	(N/A)	0.00
494.10	43.09	(N/A)	0.00
494.15	44.77	(N/A)	0.00
494.20	46.78	(N/A)	0.00
494.25	48.98	(N/A)	0.00
494.30	51.43	(N/A)	0.00
494.35	54.03	(N/A)	0.00
494.40	56.85	(N/A)	0.00
494.45	59.82	(N/A)	0.00
494.50	62.95	(N/A)	0.00
494.55	66.21	(N/A)	0.00
494.60	69.62	(N/A)	0.00
494.65	73.16	(N/A)	0.00
494.70	76.89	(N/A)	0.00
494.75	80.68	(N/A)	0.00
494.80	84.59	(N/A)	0.00
494.85	88.64	(N/A)	0.00
494.90	92.79	(N/A)	0.00
494.95	96.96	(N/A)	0.00
495.00	100.53	(N/A)	0.00
495.05	103.99	(N/A)	0.00
495.10	107.49	(N/A)	0.00
495.15	111.03	(N/A)	0.00
495.20	114.59	(N/A)	0.00
495.25	118.18	(N/A)	0.00
495.30	121.78	(N/A)	0.00
495.35	125.38	(N/A)	0.00
495.40	128.97	(N/A)	0.00
495.45	132.57	(N/A)	0.00
495.50	136.16	(N/A)	0.00
495.55	139.72	(N/A)	0.00

Subsection: Composite Rating Curve  
 Label: OS 101

Return Event: 2 years  
 Storm Event:

Composite Outflow Summary

Water Surface Elevation (ft)	Flow (ft <sup>3</sup> /s)	Tailwater Elevation (ft)	Convergence Error (ft)
495.60	143.24	(N/A)	0.00
495.65	146.71	(N/A)	0.00
495.70	150.08	(N/A)	0.00
495.75	153.39	(N/A)	0.00
495.80	156.59	(N/A)	0.00
495.85	157.78	(N/A)	0.00
495.90	158.94	(N/A)	0.00
495.95	160.04	(N/A)	0.00
496.00	161.13	(N/A)	0.00
496.05	162.20	(N/A)	0.00
496.10	163.22	(N/A)	0.00
496.15	164.24	(N/A)	0.00
496.20	165.23	(N/A)	0.00
496.25	166.18	(N/A)	0.00
496.30	167.09	(N/A)	0.00
496.35	168.01	(N/A)	0.00
496.40	168.92	(N/A)	0.00
496.45	169.72	(N/A)	0.00
496.50	170.56	(N/A)	0.00
496.55	171.35	(N/A)	0.00
496.60	172.12	(N/A)	0.00
496.65	172.86	(N/A)	0.00
496.70	173.53	(N/A)	0.00
496.75	174.21	(N/A)	0.00
496.80	174.88	(N/A)	0.00
496.85	175.45	(N/A)	0.00
496.90	176.09	(N/A)	0.00
496.95	176.60	(N/A)	0.00
497.00	177.14	(N/A)	0.00

Contributing Structures

(no Q: Weir - 1,Riser - 1,Orifice - 1,Culvert - 1)  
 (no Q: Weir - 1,Riser - 1,Orifice - 1,Culvert - 1)  
 (no Q: Weir - 1,Riser - 1,Orifice - 1,Culvert - 1)  
 (no Q: Weir - 1,Riser - 1,Orifice - 1,Culvert - 1)  
 (no Q: Weir - 1,Riser - 1,Orifice - 1,Culvert - 1)  
 (no Q: Weir - 1,Riser - 1,Orifice - 1,Culvert - 1)  
 (no Q: Weir - 1,Riser - 1,Orifice - 1,Culvert - 1)



Subsection: Composite Rating Curve  
Label: OS 101

Return Event: 2 years  
Storm Event:

Composite Outflow Summary

Contributing Structures
(no Q: Weir - 1,Riser - 1,Orifice - 1,Culvert - 1)
(no Q: Weir - 1,Riser - 1,Orifice - 1,Culvert - 1)
(no Q: Weir - 1,Riser - 1,Orifice - 1,Culvert - 1)
(no Q: Weir - 1,Riser - 1,Orifice - 1,Culvert - 1)
(no Q: Weir - 1,Riser - 1,Orifice - 1,Culvert - 1)
(no Q: Weir - 1,Riser - 1,Orifice - 1,Culvert - 1)
(no Q: Weir - 1,Riser - 1,Orifice - 1,Culvert - 1)
(no Q: Weir - 1,Riser - 1,Orifice - 1,Culvert - 1)
(no Q: Weir - 1,Riser - 1,Orifice - 1,Culvert - 1)
(no Q: Weir - 1,Riser - 1,Orifice - 1,Culvert - 1)
(no Q: Weir - 1,Riser - 1,Orifice - 1,Culvert - 1)
(no Q: Weir - 1,Riser - 1,Orifice - 1,Culvert - 1)
(no Q: Weir - 1,Riser - 1,Orifice - 1,Culvert - 1)
(no Q: Weir - 1,Riser - 1,Orifice - 1,Culvert - 1)
(no Q: Weir - 1,Riser - 1,Orifice - 1,Culvert - 1)
(no Q: Weir - 1,Riser - 1,Orifice - 1,Culvert - 1)
(no Q: Weir - 1,Riser - 1,Orifice - 1,Culvert - 1)
(no Q: Weir - 1,Riser - 1,Orifice - 1,Culvert - 1)
(no Q: Weir - 1,Riser - 1,Orifice - 1,Culvert - 1)
(no Q: Weir - 1,Riser - 1,Orifice - 1,Culvert - 1)
(no Q: Weir - 1,Riser - 1,Orifice - 1,Culvert - 1)
(no Q: Weir - 1,Riser - 1,Orifice - 1,Culvert - 1)
(no Q: Weir - 1,Riser - 1,Orifice - 1,Culvert - 1)
(no Q: Weir - 1,Riser - 1,Orifice - 1,Culvert - 1)
(no Q: Weir - 1,Riser - 1,Orifice - 1,Culvert - 1)
(no Q: Weir - 1,Riser - 1,Orifice - 1,Culvert - 1)
(no Q: Weir - 1,Riser - 1,Orifice - 1,Culvert - 1)

Composite Outflow Summary

Contributing Structures
(no Q: Weir - 1,Riser - 1,Orifice - 1,Culvert - 1)
(no Q: Weir - 1,Riser - 1,Orifice - 1,Culvert - 1)
(no Q: Weir - 1,Riser - 1,Orifice - 1,Culvert - 1)
(no Q: Weir - 1,Riser - 1,Orifice - 1,Culvert - 1)
(no Q: Weir - 1,Riser - 1,Orifice - 1,Culvert - 1)
(no Q: Weir - 1,Riser - 1,Orifice - 1,Culvert - 1)
(no Q: Weir - 1,Riser - 1,Orifice - 1,Culvert - 1)
(no Q: Weir - 1,Riser - 1,Orifice - 1,Culvert - 1)
(no Q: Weir - 1,Riser - 1,Orifice - 1,Culvert - 1)
(no Q: Weir - 1,Riser - 1,Orifice - 1,Culvert - 1)
(no Q: Weir - 1,Riser - 1,Orifice - 1,Culvert - 1)
(no Q: Weir - 1,Riser - 1,Orifice - 1,Culvert - 1)
(no Q: Weir - 1,Riser - 1,Orifice - 1,Culvert - 1)
(no Q: Weir - 1,Riser - 1,Orifice - 1,Culvert - 1)
(no Q: Weir - 1,Riser - 1,Orifice - 1,Culvert - 1)
(no Q: Weir - 1,Riser - 1,Orifice - 1,Culvert - 1)
(no Q: Weir - 1,Riser - 1,Orifice - 1,Culvert - 1)
(no Q: Weir - 1,Riser - 1,Orifice - 1,Culvert - 1)
(no Q: Weir - 1,Riser - 1,Orifice - 1,Culvert - 1)
(no Q: Weir - 1,Riser - 1,Orifice - 1,Culvert - 1)
(no Q: Weir - 1,Riser - 1,Orifice - 1,Culvert - 1)
(no Q: Weir - 1,Riser - 1,Orifice - 1,Culvert - 1)
(no Q: Weir - 1,Riser - 1,Orifice - 1,Culvert - 1)

Subsection: Composite Rating Curve  
Label: OS 101

Return Event: 2 years  
Storm Event:

### Composite Outflow Summary

Contributing Structures
(no Q: Weir - 1,Riser - 1,Orifice - 1,Culvert - 1)
(no Q: Weir - 1,Riser - 1,Orifice - 1,Culvert - 1)
(no Q: Weir - 1,Riser - 1,Orifice - 1,Culvert - 1)
(no Q: Weir - 1,Riser - 1,Orifice - 1,Culvert - 1)
(no Q: Weir - 1,Riser - 1,Orifice - 1,Culvert - 1)
(no Q: Weir - 1,Riser - 1,Orifice - 1,Culvert - 1)
(no Q: Weir - 1,Riser - 1,Orifice - 1,Culvert - 1)
(no Q: Weir - 1,Riser - 1,Orifice - 1,Culvert - 1)
(no Q: Weir - 1,Riser - 1,Orifice - 1,Culvert - 1)
(no Q: Weir - 1,Riser - 1,Orifice - 1,Culvert - 1)
(no Q: Weir - 1,Riser - 1,Orifice - 1,Culvert - 1)
(no Q: Weir - 1,Riser - 1,Orifice - 1,Culvert - 1)
(no Q: Weir - 1,Riser - 1,Orifice - 1,Culvert - 1)
(no Q: Weir - 1,Riser - 1,Orifice - 1,Culvert - 1)
(no Q: Weir - 1,Riser - 1,Orifice - 1,Culvert - 1)
(no Q: Weir - 1,Riser - 1,Orifice - 1,Culvert - 1)
(no Q: Weir - 1,Riser - 1,Orifice - 1,Culvert - 1)
(no Q: Weir - 1,Riser - 1,Orifice - 1,Culvert - 1)
(no Q: Weir - 1,Riser - 1,Orifice - 1,Culvert - 1)
(no Q: Weir - 1,Riser - 1,Orifice - 1,Culvert - 1)
(no Q: Weir - 1,Riser - 1,Orifice - 1,Culvert - 1)
(no Q: Weir - 1,Riser - 1,Orifice - 1,Culvert - 1)
(no Q: Weir - 1,Riser - 1,Orifice - 1,Culvert - 1)
(no Q: Weir - 1,Riser - 1,Orifice - 1,Culvert - 1)
(no Q: Weir - 1,Riser - 1,Orifice - 1,Culvert - 1)
(no Q: Weir - 1,Riser - 1,Orifice - 1,Culvert - 1)
(no Q: Weir - 1,Riser - 1,Orifice - 1,Culvert - 1)

Subsection: Composite Rating Curve  
Label: OS 101

Return Event: 2 years  
Storm Event:

Composite Outflow Summary

Contributing Structures
(no Q: Weir - 1, Riser - 1, Orifice - 1, Culvert - 1)
(no Q: Weir - 1, Riser - 1, Orifice - 1, Culvert - 1)
(no Q: Weir - 1, Riser - 1, Orifice - 1, Culvert - 1)
(no Q: Weir - 1, Riser - 1, Orifice - 1, Culvert - 1)
(no Q: Weir - 1, Riser - 1, Orifice - 1, Culvert - 1)
(no Q: Weir - 1, Riser - 1, Orifice - 1, Culvert - 1)
(no Q: Weir - 1, Riser - 1, Orifice - 1, Culvert - 1)
(no Q: Weir - 1, Riser - 1, Orifice - 1, Culvert - 1)
(no Q: Weir - 1, Riser - 1, Orifice - 1, Culvert - 1)
(no Q: Weir - 1, Riser - 1, Orifice - 1, Culvert - 1)
(no Q: Weir - 1, Riser - 1, Orifice - 1, Culvert - 1)
(no Q: Weir - 1, Riser - 1, Orifice - 1, Culvert - 1)
(no Q: Weir - 1, Riser - 1, Orifice - 1, Culvert - 1)
(no Q: Weir - 1, Riser - 1, Orifice - 1, Culvert - 1)
(no Q: Weir - 1, Riser - 1, Orifice - 1, Culvert - 1)
(no Q: Weir - 1, Riser - 1, Orifice - 1, Culvert - 1)
(no Q: Weir - 1, Riser - 1, Orifice - 1, Culvert - 1)
(no Q: Weir - 1, Riser - 1, Orifice - 1, Culvert - 1)
(no Q: Weir - 1, Riser - 1, Orifice - 1, Culvert - 1)
(no Q: Weir - 1, Riser - 1, Orifice - 1, Culvert - 1)
(no Q: Weir - 1, Riser - 1, Orifice - 1, Culvert - 1)
(no Q: Weir - 1, Riser - 1, Orifice - 1, Culvert - 1)
(no Q: Weir - 1, Riser - 1, Orifice - 1, Culvert - 1)
(no Q: Weir - 1, Riser - 1, Orifice - 1, Culvert - 1)
(no Q: Weir - 1, Riser - 1, Orifice - 1, Culvert - 1)
(no Q: Weir - 1, Riser - 1, Orifice - 1, Culvert - 1)

### Composite Outflow Summary

Contributing Structures
(no Q: Weir - 1,Riser - 1,Orifice - 1,Culvert - 1)
(no Q: Weir - 1,Riser - 1,Orifice - 1,Culvert - 1)
(no Q: Weir - 1,Riser - 1,Orifice - 1,Culvert - 1)
(no Q: Weir - 1,Riser - 1,Orifice - 1,Culvert - 1)
(no Q: Weir - 1,Riser - 1,Orifice - 1,Culvert - 1)
(no Q: Weir - 1,Riser - 1,Orifice - 1,Culvert - 1)
(no Q: Weir - 1,Riser - 1,Orifice - 1,Culvert - 1)
(no Q: Weir - 1,Riser - 1,Orifice - 1,Culvert - 1)
(no Q: Weir - 1,Riser - 1,Orifice - 1,Culvert - 1)
(no Q: Weir - 1,Riser - 1,Orifice - 1,Culvert - 1)
(no Q: Weir - 1,Riser - 1,Orifice - 1,Culvert - 1)
(no Q: Weir - 1,Riser - 1,Orifice - 1,Culvert - 1)
(no Q: Weir - 1,Riser - 1,Orifice - 1,Culvert - 1)
(no Q: Weir - 1,Riser - 1,Orifice - 1,Culvert - 1)
(no Q: Weir - 1,Riser - 1,Orifice - 1,Culvert - 1)
(no Q: Weir - 1,Riser - 1,Orifice - 1,Culvert - 1)
(no Q: Weir - 1,Riser - 1,Orifice - 1,Culvert - 1)
(no Q: Weir - 1,Riser - 1,Orifice - 1,Culvert - 1)
(no Q: Weir - 1,Riser - 1,Orifice - 1,Culvert - 1)
(no Q: Weir - 1,Riser - 1,Orifice - 1,Culvert - 1)
(no Q: Weir - 1,Riser - 1,Orifice - 1,Culvert - 1)
(no Q: Weir - 1,Riser - 1,Orifice - 1,Culvert - 1)
(no Q: Weir - 1,Riser - 1,Orifice - 1,Culvert - 1)
(no Q: Weir - 1,Riser - 1,Orifice - 1,Culvert - 1)

Subsection: Composite Rating Curve  
Label: OS 101

Return Event: 2 years  
Storm Event:

### Composite Outflow Summary

Contributing Structures
(no Q: Weir - 1,Riser - 1,Orifice - 1,Culvert - 1)
(no Q: Weir - 1,Riser - 1,Orifice - 1,Culvert - 1)
(no Q: Weir - 1,Riser - 1,Orifice - 1,Culvert - 1)
(no Q: Weir - 1,Riser - 1,Orifice - 1,Culvert - 1)
(no Q: Weir - 1,Riser - 1,Orifice - 1,Culvert - 1)
(no Q: Weir - 1,Riser - 1,Orifice - 1,Culvert - 1)
(no Q: Weir - 1,Riser - 1,Orifice - 1,Culvert - 1)
(no Q: Weir - 1,Riser - 1,Orifice - 1,Culvert - 1)
(no Q: Weir - 1,Riser - 1,Orifice - 1,Culvert - 1)
(no Q: Weir - 1,Riser - 1,Orifice - 1,Culvert - 1)
(no Q: Weir - 1,Riser - 1,Orifice - 1,Culvert - 1)
(no Q: Weir - 1,Riser - 1,Orifice - 1,Culvert - 1)
(no Q: Weir - 1,Riser - 1,Orifice - 1,Culvert - 1)
(no Q: Weir - 1,Riser - 1,Orifice - 1,Culvert - 1)
(no Q: Weir - 1,Riser - 1,Orifice - 1,Culvert - 1)
(no Q: Weir - 1,Riser - 1,Orifice - 1,Culvert - 1)
(no Q: Weir - 1,Riser - 1,Orifice - 1,Culvert - 1)
(no Q: Weir - 1,Riser - 1,Orifice - 1,Culvert - 1)
(no Q: Weir - 1,Riser - 1,Orifice - 1,Culvert - 1)
(no Q: Weir - 1,Riser - 1,Orifice - 1,Culvert - 1)
(no Q: Weir - 1,Riser - 1,Orifice - 1,Culvert - 1)
(no Q: Weir - 1,Riser - 1,Orifice - 1,Culvert - 1)



Subsection: Composite Rating Curve  
Label: OS 101

Return Event: 2 years  
Storm Event:

### Composite Outflow Summary

Contributing Structures
(no Q: Weir - 1,Riser - 1,Orifice - 1,Culvert - 1)
(no Q: Weir - 1,Riser - 1,Orifice - 1,Culvert - 1)
(no Q: Weir - 1,Riser - 1,Orifice - 1,Culvert - 1)
(no Q: Weir - 1,Riser - 1,Orifice - 1,Culvert - 1)
(no Q: Weir - 1,Riser - 1,Orifice - 1,Culvert - 1)
(no Q: Weir - 1,Riser - 1,Orifice - 1,Culvert - 1)
(no Q: Weir - 1,Riser - 1,Orifice - 1,Culvert - 1)
(no Q: Weir - 1,Riser - 1,Orifice - 1,Culvert - 1)
(no Q: Weir - 1,Riser - 1,Orifice - 1,Culvert - 1)
(no Q: Weir - 1,Riser - 1,Orifice - 1,Culvert - 1)
(no Q: Weir - 1,Riser - 1,Orifice - 1,Culvert - 1)
(no Q: Weir - 1,Riser - 1,Orifice - 1,Culvert - 1)
(no Q: Weir - 1,Riser - 1,Orifice - 1,Culvert - 1)
(no Q: Weir - 1,Riser - 1,Orifice - 1,Culvert - 1)
(no Q: Weir - 1,Riser - 1,Orifice - 1,Culvert - 1)
(no Q: Weir - 1,Riser - 1,Orifice - 1,Culvert - 1)
(no Q: Weir - 1,Riser - 1,Orifice - 1,Culvert - 1)
(no Q: Weir - 1,Riser - 1,Orifice - 1,Culvert - 1)
(no Q: Weir - 1,Riser - 1,Orifice - 1,Culvert - 1)
(no Q: Weir - 1,Riser - 1,Orifice - 1,Culvert - 1)
(no Q: Weir - 1,Riser - 1,Orifice - 1,Culvert - 1)
(no Q: Weir - 1,Riser - 1,Orifice - 1,Culvert - 1)
(no Q: Weir - 1,Riser - 1,Orifice - 1,Culvert - 1)
(no Q: Weir - 1,Riser - 1,Orifice - 1,Culvert - 1)
(no Q: Weir - 1,Riser - 1,Orifice - 1,Culvert - 1)
(no Q: Weir - 1,Riser - 1,Orifice - 1,Culvert - 1)
(no Q: Weir - 1,Riser - 1,Orifice - 1,Culvert - 1)
(no Q: Weir - 1,Riser - 1,Orifice - 1,Culvert - 1)
(no Q: Weir - 1,Riser - 1,Orifice - 1,Culvert - 1)
(no Q: Weir - 1,Riser - 1,Orifice - 1,Culvert - 1)
(no Q: Weir - 1,Riser - 1,Orifice - 1,Culvert - 1)







Subsection: Composite Rating Curve  
Label: OS 101

Return Event: 2 years  
Storm Event:

### Composite Outflow Summary

Contributing Structures
Weir - 1,Culvert - 1 (no Q: Riser - 1,Orifice - 1)
Weir - 1,Culvert - 1 (no Q: Riser - 1,Orifice - 1)
Weir - 1,Culvert - 1 (no Q: Riser - 1,Orifice - 1)
Orifice - 1,Culvert - 1 (no Q: Weir - 1,Riser - 1)
Orifice - 1,Culvert - 1 (no Q: Weir - 1,Riser - 1)
Orifice - 1,Culvert - 1 (no Q: Weir - 1,Riser - 1)
Orifice - 1,Culvert - 1 (no Q: Weir - 1,Riser - 1)
Orifice - 1,Culvert - 1 (no Q: Weir - 1,Riser - 1)
Orifice - 1,Culvert - 1 (no Q: Weir - 1,Riser - 1)
Orifice - 1,Culvert - 1 (no Q: Weir - 1,Riser - 1)
Orifice - 1,Culvert - 1 (no Q: Weir - 1,Riser - 1)
Orifice - 1,Culvert - 1 (no Q: Weir - 1,Riser - 1)
Orifice - 1,Culvert - 1 (no Q: Weir - 1,Riser - 1)
Orifice - 1,Culvert - 1 (no Q: Weir - 1,Riser - 1)
Orifice - 1,Culvert - 1 (no Q: Weir - 1,Riser - 1)
Orifice - 1,Culvert - 1 (no Q: Weir - 1,Riser - 1)
Orifice - 1,Culvert - 1 (no Q: Weir - 1,Riser - 1)
Orifice - 1,Culvert - 1 (no Q: Weir - 1,Riser - 1)
Orifice - 1,Culvert - 1 (no Q: Weir - 1,Riser - 1)
Orifice - 1,Culvert - 1 (no Q: Weir - 1,Riser - 1)
Orifice - 1,Culvert - 1 (no Q: Weir - 1,Riser - 1)
Orifice - 1,Culvert - 1 (no Q: Weir - 1,Riser - 1)
Orifice - 1,Culvert - 1 (no Q: Weir - 1,Riser - 1)
Orifice - 1,Culvert - 1 (no Q: Weir - 1,Riser - 1)
Orifice - 1,Culvert - 1 (no Q: Weir - 1,Riser - 1)
Orifice - 1,Culvert - 1 (no Q: Weir - 1,Riser - 1)

Subsection: Composite Rating Curve  
Label: OS 101

Return Event: 2 years  
Storm Event:

### Composite Outflow Summary

Contributing Structures
Orifice - 1,Culvert - 1 (no Q: Weir - 1,Riser - 1)
Orifice - 1,Culvert - 1 (no Q: Weir - 1,Riser - 1)
Orifice - 1,Culvert - 1 (no Q: Weir - 1,Riser - 1)
Orifice - 1,Culvert - 1 (no Q: Weir - 1,Riser - 1)
Orifice - 1,Culvert - 1 (no Q: Weir - 1,Riser - 1)
Orifice - 1,Culvert - 1 (no Q: Weir - 1,Riser - 1)
Orifice - 1,Culvert - 1 (no Q: Weir - 1,Riser - 1)
Orifice - 1,Culvert - 1 (no Q: Weir - 1,Riser - 1)
Orifice - 1,Culvert - 1 (no Q: Weir - 1,Riser - 1)
Orifice - 1,Culvert - 1 (no Q: Weir - 1,Riser - 1)
Orifice - 1,Culvert - 1 (no Q: Weir - 1,Riser - 1)
Orifice - 1,Culvert - 1 (no Q: Weir - 1,Riser - 1)
Orifice - 1,Culvert - 1 (no Q: Weir - 1,Riser - 1)
Orifice - 1,Culvert - 1 (no Q: Weir - 1,Riser - 1)
Orifice - 1,Culvert - 1 (no Q: Weir - 1,Riser - 1)
Orifice - 1,Culvert - 1 (no Q: Weir - 1,Riser - 1)
Orifice - 1,Culvert - 1 (no Q: Weir - 1,Riser - 1)
Orifice - 1,Culvert - 1 (no Q: Weir - 1,Riser - 1)
Orifice - 1,Culvert - 1 (no Q: Weir - 1,Riser - 1)
Orifice - 1,Culvert - 1 (no Q: Weir - 1,Riser - 1)
Orifice - 1,Culvert - 1 (no Q: Weir - 1,Riser - 1)
Orifice - 1,Culvert - 1 (no Q: Weir - 1,Riser - 1)
Orifice - 1,Culvert - 1 (no Q: Weir - 1,Riser - 1)
Orifice - 1,Culvert - 1 (no Q: Weir - 1,Riser - 1)
Orifice - 1,Culvert - 1 (no Q: Weir - 1,Riser - 1)
Orifice - 1,Culvert - 1 (no Q: Weir - 1,Riser - 1)
Orifice - 1,Culvert - 1 (no Q: Weir - 1,Riser - 1)
Orifice - 1,Culvert - 1 (no Q: Weir - 1,Riser - 1)
Orifice - 1,Culvert - 1 (no Q: Weir - 1,Riser - 1)
Orifice - 1,Culvert - 1 (no Q: Weir - 1,Riser - 1)
Orifice - 1,Culvert - 1 (no Q: Weir - 1,Riser - 1)
Orifice - 1,Culvert - 1 (no Q: Weir - 1,Riser - 1)
Orifice - 1,Culvert - 1 (no Q: Weir - 1,Riser - 1)

Composite Outflow Summary

Contributing Structures
Orifice - 1,Culvert - 1 (no Q: Weir - 1,Riser - 1)
Orifice - 1,Culvert - 1 (no Q: Weir - 1,Riser - 1)
Orifice - 1,Culvert - 1 (no Q: Weir - 1,Riser - 1)
Orifice - 1,Culvert - 1 (no Q: Weir - 1,Riser - 1)
Orifice - 1,Culvert - 1 (no Q: Weir - 1,Riser - 1)
Orifice - 1,Culvert - 1 (no Q: Weir - 1,Riser - 1)
Orifice - 1,Culvert - 1 (no Q: Weir - 1,Riser - 1)
Orifice - 1,Culvert - 1 (no Q: Weir - 1,Riser - 1)
Orifice - 1,Culvert - 1 (no Q: Weir - 1,Riser - 1)
Orifice - 1,Culvert - 1 (no Q: Weir - 1,Riser - 1)
Orifice - 1,Culvert - 1 (no Q: Weir - 1,Riser - 1)
Orifice - 1,Culvert - 1 (no Q: Weir - 1,Riser - 1)
Orifice - 1,Culvert - 1 (no Q: Weir - 1,Riser - 1)
Orifice - 1,Culvert - 1 (no Q: Weir - 1,Riser - 1)
Orifice - 1,Culvert - 1 (no Q: Weir - 1,Riser - 1)
Orifice - 1,Culvert - 1 (no Q: Weir - 1,Riser - 1)
Orifice - 1,Culvert - 1 (no Q: Weir - 1,Riser - 1)
Orifice - 1,Culvert - 1 (no Q: Weir - 1,Riser - 1)
Orifice - 1,Culvert - 1 (no Q: Weir - 1,Riser - 1)
Orifice - 1,Culvert - 1 (no Q: Weir - 1,Riser - 1)
Orifice - 1,Culvert - 1 (no Q: Weir - 1,Riser - 1)
Orifice - 1,Culvert - 1 (no Q: Weir - 1,Riser - 1)
Orifice - 1,Culvert - 1 (no Q: Weir - 1,Riser - 1)
Orifice - 1,Culvert - 1 (no Q: Weir - 1,Riser - 1)
Orifice - 1,Culvert - 1 (no Q: Weir - 1,Riser - 1)
Orifice - 1,Culvert - 1 (no Q: Weir - 1,Riser - 1)
Orifice - 1,Culvert - 1 (no Q: Weir - 1,Riser - 1)
Orifice - 1,Culvert - 1 (no Q: Weir - 1,Riser - 1)



Subsection: Composite Rating Curve  
Label: OS 101

Return Event: 2 years  
Storm Event:

Composite Outflow Summary

Contributing Structures
Riser - 1, Orifice - 1, Culvert - 1 (no Q: Weir - 1)
Riser - 1, Orifice - 1, Culvert - 1 (no Q: Weir - 1)
Riser - 1, Orifice - 1, Culvert - 1 (no Q: Weir - 1)
Riser - 1, Orifice - 1, Culvert - 1 (no Q: Weir - 1)
Riser - 1, Orifice - 1, Culvert - 1 (no Q: Weir - 1)
Riser - 1, Orifice - 1, Culvert - 1 (no Q: Weir - 1)
Riser - 1, Orifice - 1, Culvert - 1 (no Q: Weir - 1)
Riser - 1, Orifice - 1, Culvert - 1 (no Q: Weir - 1)
Riser - 1, Orifice - 1, Culvert - 1 (no Q: Weir - 1)
Riser - 1, Orifice - 1, Culvert - 1 (no Q: Weir - 1)
Riser - 1, Orifice - 1, Culvert - 1 (no Q: Weir - 1)
Riser - 1, Orifice - 1, Culvert - 1 (no Q: Weir - 1)
Riser - 1, Orifice - 1, Culvert - 1 (no Q: Weir - 1)
Riser - 1, Orifice - 1, Culvert - 1 (no Q: Weir - 1)
Riser - 1, Orifice - 1, Culvert - 1 (no Q: Weir - 1)
Riser - 1, Orifice - 1, Culvert - 1 (no Q: Weir - 1)
Riser - 1, Orifice - 1, Culvert - 1 (no Q: Weir - 1)
Riser - 1, Orifice - 1, Culvert - 1 (no Q: Weir - 1)
Riser - 1, Orifice - 1, Culvert - 1 (no Q: Weir - 1)
Riser - 1, Orifice - 1, Culvert - 1 (no Q: Weir - 1)
Riser - 1, Orifice - 1, Culvert - 1 (no Q: Weir - 1)
Riser - 1, Orifice - 1, Culvert - 1 (no Q: Weir - 1)
Riser - 1, Orifice - 1, Culvert - 1 (no Q: Weir - 1)
Riser - 1, Orifice - 1, Culvert - 1 (no Q: Weir - 1)

Subsection: Composite Rating Curve  
Label: OS 101

Return Event: 2 years  
Storm Event:

### Composite Outflow Summary

Contributing Structures
Riser - 1,Orifice - 1,Culvert - 1 (no Q: Weir - 1)
Riser - 1,Orifice - 1,Culvert - 1 (no Q: Weir - 1)
Riser - 1,Orifice - 1,Culvert - 1 (no Q: Weir - 1)
Riser - 1,Orifice - 1,Culvert - 1 (no Q: Weir - 1)
Riser - 1,Orifice - 1,Culvert - 1 (no Q: Weir - 1)
Riser - 1,Orifice - 1,Culvert - 1 (no Q: Weir - 1)
Riser - 1,Orifice - 1,Culvert - 1 (no Q: Weir - 1)
Riser - 1,Orifice - 1,Culvert - 1 (no Q: Weir - 1)
Riser - 1,Orifice - 1,Culvert - 1 (no Q: Weir - 1)
Riser - 1,Orifice - 1,Culvert - 1 (no Q: Weir - 1)
Riser - 1,Orifice - 1,Culvert - 1 (no Q: Weir - 1)
Riser - 1,Orifice - 1,Culvert - 1 (no Q: Weir - 1)
Riser - 1,Orifice - 1,Culvert - 1 (no Q: Weir - 1)
Riser - 1,Orifice - 1,Culvert - 1 (no Q: Weir - 1)
Riser - 1,Orifice - 1,Culvert - 1 (no Q: Weir - 1)



Subsection: Elevation-Volume-Flow Table (Pond)  
 Label: Basin

Return Event: 2 years  
 Storm Event:

Infiltration	
Infiltration Method (Computed)	No Infiltration

---

Initial Conditions	
Elevation (Water Surface, Initial)	488.50 ft
Volume (Initial)	425,250.000 ft <sup>3</sup>
Flow (Initial Outlet)	0.00 ft <sup>3</sup> /s
Flow (Initial Infiltration)	0.00 ft <sup>3</sup> /s
Flow (Initial, Total)	0.00 ft <sup>3</sup> /s
Time Increment	1 min

Elevation (ft)	Outflow (ft <sup>3</sup> /s)	Storage (ft <sup>3</sup> )	Area (ft <sup>2</sup> )	Infiltration (ft <sup>3</sup> /s)	Flow (Total) (ft <sup>3</sup> /s)	2S/t + O (ft <sup>3</sup> /s)
478.00	0.00	0.000	28,132.00	0.00	0.00	0.00
478.05	0.00	1,409.216	28,236.65	0.00	0.00	46.97
478.10	0.00	2,823.669	28,341.50	0.00	0.00	94.12
478.15	0.00	4,243.369	28,446.55	0.00	0.00	141.45
478.20	0.00	5,668.326	28,551.78	0.00	0.00	188.94
478.25	0.00	7,098.551	28,657.21	0.00	0.00	236.62
478.30	0.00	8,534.051	28,762.84	0.00	0.00	284.47
478.35	0.00	9,974.838	28,868.66	0.00	0.00	332.49
478.40	0.00	11,420.920	28,974.67	0.00	0.00	380.70
478.45	0.00	12,872.308	29,080.88	0.00	0.00	429.08
478.50	0.00	14,329.012	29,187.28	0.00	0.00	477.63
478.55	0.00	15,791.040	29,293.88	0.00	0.00	526.37
478.60	0.00	17,258.403	29,400.67	0.00	0.00	575.28
478.65	0.00	18,731.111	29,507.66	0.00	0.00	624.37
478.70	0.00	20,209.172	29,614.84	0.00	0.00	673.64
478.75	0.00	21,692.598	29,722.21	0.00	0.00	723.09
478.80	0.00	23,181.397	29,829.78	0.00	0.00	772.71
478.85	0.00	24,675.579	29,937.55	0.00	0.00	822.52
478.90	0.00	26,175.155	30,045.50	0.00	0.00	872.51
478.95	0.00	27,680.133	30,153.65	0.00	0.00	922.67
479.00	0.00	29,190.523	30,262.00	0.00	0.00	973.02
479.05	0.00	30,706.331	30,370.36	0.00	0.00	1,023.54
479.10	0.00	32,227.563	30,478.91	0.00	0.00	1,074.25
479.15	0.00	33,754.226	30,587.66	0.00	0.00	1,125.14
479.20	0.00	35,286.332	30,696.60	0.00	0.00	1,176.21
479.25	0.00	36,823.890	30,805.74	0.00	0.00	1,227.46
479.30	0.00	38,366.909	30,915.07	0.00	0.00	1,278.90
479.35	0.00	39,915.400	31,024.59	0.00	0.00	1,330.51
479.40	0.00	41,469.371	31,134.30	0.00	0.00	1,382.31
479.45	0.00	43,028.833	31,244.21	0.00	0.00	1,434.29
479.50	0.00	44,593.796	31,354.32	0.00	0.00	1,486.46

Subsection: Elevation-Volume-Flow Table (Pond)  
 Label: Basin

Return Event: 2 years  
 Storm Event:

Elevation (ft)	Outflow (ft <sup>3</sup> /s)	Storage (ft <sup>3</sup> )	Area (ft <sup>2</sup> )	Infiltration (ft <sup>3</sup> /s)	Flow (Total) (ft <sup>3</sup> /s)	2S/t + O (ft <sup>3</sup> /s)
479.55	0.00	46,164.268	31,464.61	0.00	0.00	1,538.81
479.60	0.00	47,740.260	31,575.10	0.00	0.00	1,591.34
479.65	0.00	49,321.782	31,685.79	0.00	0.00	1,644.06
479.70	0.00	50,908.842	31,796.67	0.00	0.00	1,696.96
479.75	0.00	52,501.452	31,907.74	0.00	0.00	1,750.05
479.80	0.00	54,099.619	32,019.00	0.00	0.00	1,803.32
479.85	0.00	55,703.355	32,130.46	0.00	0.00	1,856.78
479.90	0.00	57,312.669	32,242.11	0.00	0.00	1,910.42
479.95	0.00	58,927.570	32,353.96	0.00	0.00	1,964.25
480.00	0.00	60,548.068	32,466.00	0.00	0.00	2,018.27
480.05	0.00	62,174.176	32,578.36	0.00	0.00	2,072.47
480.10	0.00	63,805.907	32,690.91	0.00	0.00	2,126.86
480.15	0.00	65,443.270	32,803.65	0.00	0.00	2,181.44
480.20	0.00	67,086.275	32,916.59	0.00	0.00	2,236.21
480.25	0.00	68,734.932	33,029.72	0.00	0.00	2,291.16
480.30	0.00	70,389.251	33,143.05	0.00	0.00	2,346.31
480.35	0.00	72,049.240	33,256.57	0.00	0.00	2,401.64
480.40	0.00	73,714.911	33,370.28	0.00	0.00	2,457.16
480.45	0.00	75,386.272	33,484.19	0.00	0.00	2,512.88
480.50	0.00	77,063.333	33,598.30	0.00	0.00	2,568.78
480.55	0.00	78,746.105	33,712.59	0.00	0.00	2,624.87
480.60	0.00	80,434.596	33,827.08	0.00	0.00	2,681.15
480.65	0.00	82,128.816	33,941.77	0.00	0.00	2,737.63
480.70	0.00	83,828.776	34,056.65	0.00	0.00	2,794.29
480.75	0.00	85,534.484	34,171.72	0.00	0.00	2,851.15
480.80	0.00	87,245.951	34,286.99	0.00	0.00	2,908.20
480.85	0.00	88,963.187	34,402.45	0.00	0.00	2,965.44
480.90	0.00	90,686.200	34,518.11	0.00	0.00	3,022.87
480.95	0.00	92,415.001	34,633.96	0.00	0.00	3,080.50
481.00	0.00	94,149.599	34,750.00	0.00	0.00	3,138.32
481.05	0.00	95,889.987	34,865.58	0.00	0.00	3,196.33
481.10	0.00	97,636.160	34,981.35	0.00	0.00	3,254.54
481.15	0.00	99,388.125	35,097.31	0.00	0.00	3,312.94
481.20	0.00	101,145.893	35,213.46	0.00	0.00	3,371.53
481.25	0.00	102,909.474	35,329.80	0.00	0.00	3,430.32
481.30	0.00	104,678.877	35,446.34	0.00	0.00	3,489.30
481.35	0.00	106,454.112	35,563.07	0.00	0.00	3,548.47
481.40	0.00	108,235.187	35,679.99	0.00	0.00	3,607.84
481.45	0.00	110,022.114	35,797.10	0.00	0.00	3,667.40
481.50	0.00	111,814.901	35,914.41	0.00	0.00	3,727.16
481.55	0.00	113,613.557	36,031.90	0.00	0.00	3,787.12
481.60	0.00	115,418.094	36,149.59	0.00	0.00	3,847.27
481.65	0.00	117,228.520	36,267.47	0.00	0.00	3,907.62
481.70	0.00	119,044.844	36,385.54	0.00	0.00	3,968.16
481.75	0.00	120,867.077	36,503.80	0.00	0.00	4,028.90

Subsection: Elevation-Volume-Flow Table (Pond)  
 Label: Basin

Return Event: 2 years  
 Storm Event:

Elevation (ft)	Outflow (ft <sup>3</sup> /s)	Storage (ft <sup>3</sup> )	Area (ft <sup>2</sup> )	Infiltration (ft <sup>3</sup> /s)	Flow (Total) (ft <sup>3</sup> /s)	2S/t + O (ft <sup>3</sup> /s)
481.80	0.00	122,695.228	36,622.26	0.00	0.00	4,089.84
481.85	0.00	124,529.306	36,740.91	0.00	0.00	4,150.98
481.90	0.00	126,369.322	36,859.75	0.00	0.00	4,212.31
481.95	0.00	128,215.284	36,978.78	0.00	0.00	4,273.84
482.00	0.00	130,067.203	37,098.00	0.00	0.00	4,335.57
482.05	0.00	131,925.093	37,217.67	0.00	0.00	4,397.50
482.10	0.00	133,788.973	37,337.53	0.00	0.00	4,459.63
482.15	0.00	135,658.850	37,457.59	0.00	0.00	4,521.96
482.20	0.00	137,534.734	37,577.83	0.00	0.00	4,584.49
482.25	0.00	139,416.636	37,698.27	0.00	0.00	4,647.22
482.30	0.00	141,304.565	37,818.91	0.00	0.00	4,710.15
482.35	0.00	143,198.530	37,939.73	0.00	0.00	4,773.28
482.40	0.00	145,098.541	38,060.75	0.00	0.00	4,836.62
482.45	0.00	147,004.608	38,181.96	0.00	0.00	4,900.15
482.50	0.00	148,916.741	38,303.36	0.00	0.00	4,963.89
482.55	0.00	150,834.948	38,424.96	0.00	0.00	5,027.83
482.60	0.00	152,759.240	38,546.75	0.00	0.00	5,091.97
482.65	0.00	154,689.626	38,668.73	0.00	0.00	5,156.32
482.70	0.00	156,626.117	38,790.91	0.00	0.00	5,220.87
482.75	0.00	158,568.720	38,913.27	0.00	0.00	5,285.62
482.80	0.00	160,517.447	39,035.83	0.00	0.00	5,350.58
482.85	0.00	162,472.307	39,158.59	0.00	0.00	5,415.74
482.90	0.00	164,433.309	39,281.53	0.00	0.00	5,481.11
482.95	0.00	166,400.463	39,404.67	0.00	0.00	5,546.68
483.00	0.00	168,373.779	39,528.00	0.00	0.00	5,612.46
483.05	0.00	170,353.266	39,651.52	0.00	0.00	5,678.44
483.10	0.00	172,338.934	39,775.23	0.00	0.00	5,744.63
483.15	0.00	174,330.793	39,899.14	0.00	0.00	5,811.03
483.20	0.00	176,328.851	40,023.23	0.00	0.00	5,877.63
483.25	0.00	178,333.119	40,147.52	0.00	0.00	5,944.44
483.30	0.00	180,343.607	40,272.01	0.00	0.00	6,011.45
483.35	0.00	182,360.323	40,396.68	0.00	0.00	6,078.68
483.40	0.00	184,383.278	40,521.55	0.00	0.00	6,146.11
483.45	0.00	186,412.481	40,646.61	0.00	0.00	6,213.75
483.50	0.00	188,447.943	40,771.87	0.00	0.00	6,281.60
483.55	0.00	190,489.671	40,897.31	0.00	0.00	6,349.66
483.60	0.00	192,537.677	41,022.95	0.00	0.00	6,417.92
483.65	0.00	194,591.970	41,148.78	0.00	0.00	6,486.40
483.70	0.00	196,652.558	41,274.81	0.00	0.00	6,555.09
483.75	0.00	198,719.453	41,401.02	0.00	0.00	6,623.98
483.80	0.00	200,792.664	41,527.43	0.00	0.00	6,693.09
483.85	0.00	202,872.200	41,654.04	0.00	0.00	6,762.41
483.90	0.00	204,958.071	41,780.83	0.00	0.00	6,831.94
483.95	0.00	207,050.286	41,907.82	0.00	0.00	6,901.68
484.00	0.00	209,148.856	42,035.00	0.00	0.00	6,971.63

Subsection: Elevation-Volume-Flow Table (Pond)  
 Label: Basin

Return Event: 2 years  
 Storm Event:

Elevation (ft)	Outflow (ft <sup>3</sup> /s)	Storage (ft <sup>3</sup> )	Area (ft <sup>2</sup> )	Infiltration (ft <sup>3</sup> /s)	Flow (Total) (ft <sup>3</sup> /s)	2S/t + O (ft <sup>3</sup> /s)
484.05	0.00	211,253.790	42,162.37	0.00	0.00	7,041.79
484.10	0.00	213,365.096	42,289.93	0.00	0.00	7,112.17
484.15	0.00	215,482.786	42,417.69	0.00	0.00	7,182.76
484.20	0.00	217,606.868	42,545.63	0.00	0.00	7,253.56
484.25	0.00	219,737.353	42,673.77	0.00	0.00	7,324.58
484.30	0.00	221,874.249	42,802.11	0.00	0.00	7,395.81
484.35	0.00	224,017.567	42,930.63	0.00	0.00	7,467.25
484.40	0.00	226,167.315	43,059.35	0.00	0.00	7,538.91
484.45	0.00	228,323.505	43,188.26	0.00	0.00	7,610.78
484.50	0.00	230,486.145	43,317.37	0.00	0.00	7,682.87
484.55	0.00	232,655.245	43,446.66	0.00	0.00	7,755.17
484.60	0.00	234,830.814	43,576.15	0.00	0.00	7,827.69
484.65	0.00	237,012.863	43,705.83	0.00	0.00	7,900.43
484.70	0.00	239,201.401	43,835.71	0.00	0.00	7,973.38
484.75	0.00	241,396.437	43,965.77	0.00	0.00	8,046.55
484.80	0.00	243,597.981	44,096.03	0.00	0.00	8,119.93
484.85	0.00	245,806.044	44,226.49	0.00	0.00	8,193.53
484.90	0.00	248,020.633	44,357.13	0.00	0.00	8,267.35
484.95	0.00	250,241.760	44,487.97	0.00	0.00	8,341.39
485.00	0.00	252,469.434	44,619.00	0.00	0.00	8,415.65
485.05	0.00	254,703.661	44,750.12	0.00	0.00	8,490.12
485.10	0.00	256,944.449	44,881.44	0.00	0.00	8,564.81
485.15	0.00	259,191.808	45,012.94	0.00	0.00	8,639.73
485.20	0.00	261,445.747	45,144.64	0.00	0.00	8,714.86
485.25	0.00	263,706.275	45,276.54	0.00	0.00	8,790.21
485.30	0.00	265,973.403	45,408.62	0.00	0.00	8,865.78
485.35	0.00	268,247.140	45,540.90	0.00	0.00	8,941.57
485.40	0.00	270,527.496	45,673.37	0.00	0.00	9,017.58
485.45	0.00	272,814.480	45,806.03	0.00	0.00	9,093.82
485.50	0.00	275,108.102	45,938.88	0.00	0.00	9,170.27
485.55	0.00	277,408.372	46,071.93	0.00	0.00	9,246.95
485.60	0.00	279,715.298	46,205.17	0.00	0.00	9,323.84
485.65	0.00	282,028.891	46,338.60	0.00	0.00	9,400.96
485.70	0.00	284,349.161	46,472.22	0.00	0.00	9,478.31
485.75	0.00	286,676.117	46,606.04	0.00	0.00	9,555.87
485.80	0.00	289,009.768	46,740.04	0.00	0.00	9,633.66
485.85	0.00	291,350.124	46,874.24	0.00	0.00	9,711.67
485.90	0.00	293,697.195	47,008.64	0.00	0.00	9,789.91
485.95	0.00	296,050.991	47,143.22	0.00	0.00	9,868.37
486.00	0.00	298,411.521	47,278.00	0.00	0.00	9,947.05
486.05	0.00	300,778.799	47,413.17	0.00	0.00	10,025.96
486.10	0.00	303,152.841	47,548.53	0.00	0.00	10,105.09
486.15	0.00	305,533.655	47,684.08	0.00	0.00	10,184.46
486.20	0.00	307,921.252	47,819.83	0.00	0.00	10,264.04
486.25	0.00	310,315.641	47,955.76	0.00	0.00	10,343.85

Subsection: Elevation-Volume-Flow Table (Pond)  
 Label: Basin

Return Event: 2 years  
 Storm Event:

Elevation (ft)	Outflow (ft <sup>3</sup> /s)	Storage (ft <sup>3</sup> )	Area (ft <sup>2</sup> )	Infiltration (ft <sup>3</sup> /s)	Flow (Total) (ft <sup>3</sup> /s)	2S/t + O (ft <sup>3</sup> /s)
486.30	0.00	312,716.832	48,091.90	0.00	0.00	10,423.89
486.35	0.00	315,124.834	48,228.22	0.00	0.00	10,504.16
486.40	0.00	317,539.657	48,364.74	0.00	0.00	10,584.66
486.45	0.00	319,961.311	48,501.45	0.00	0.00	10,665.38
486.50	0.00	322,389.805	48,638.35	0.00	0.00	10,746.33
486.55	0.00	324,825.149	48,775.45	0.00	0.00	10,827.50
486.60	0.00	327,267.353	48,912.74	0.00	0.00	10,908.91
486.65	0.00	329,716.426	49,050.22	0.00	0.00	10,990.55
486.70	0.00	332,172.378	49,187.90	0.00	0.00	11,072.41
486.75	0.00	334,635.219	49,325.76	0.00	0.00	11,154.51
486.80	0.00	337,104.958	49,463.83	0.00	0.00	11,236.83
486.85	0.00	339,581.605	49,602.08	0.00	0.00	11,319.39
486.90	0.00	342,065.169	49,740.53	0.00	0.00	11,402.17
486.95	0.00	344,555.661	49,879.17	0.00	0.00	11,485.19
487.00	0.00	347,053.089	50,018.00	0.00	0.00	11,568.44
487.05	0.00	349,557.465	50,157.07	0.00	0.00	11,651.92
487.10	0.00	352,068.799	50,296.32	0.00	0.00	11,735.63
487.15	0.00	354,587.101	50,435.78	0.00	0.00	11,819.57
487.20	0.00	357,112.380	50,575.42	0.00	0.00	11,903.75
487.25	0.00	359,644.646	50,715.26	0.00	0.00	11,988.15
487.30	0.00	362,183.909	50,855.29	0.00	0.00	12,072.80
487.35	0.00	364,730.179	50,995.52	0.00	0.00	12,157.67
487.40	0.00	367,283.464	51,135.93	0.00	0.00	12,242.78
487.45	0.00	369,843.775	51,276.54	0.00	0.00	12,328.13
487.50	0.00	372,411.122	51,417.35	0.00	0.00	12,413.70
487.55	0.00	374,985.513	51,558.34	0.00	0.00	12,499.52
487.60	0.00	377,566.959	51,699.53	0.00	0.00	12,585.57
487.65	0.00	380,155.470	51,840.92	0.00	0.00	12,671.85
487.70	0.00	382,751.054	51,982.49	0.00	0.00	12,758.37
487.75	0.00	385,353.722	52,124.26	0.00	0.00	12,845.12
487.80	0.00	387,963.483	52,266.22	0.00	0.00	12,932.12
487.85	0.00	390,580.348	52,408.38	0.00	0.00	13,019.34
487.90	0.00	393,204.324	52,550.72	0.00	0.00	13,106.81
487.95	0.00	395,835.423	52,693.27	0.00	0.00	13,194.51
488.00	0.00	398,473.654	52,836.00	0.00	0.00	13,282.46
488.05	0.00	401,119.027	52,978.96	0.00	0.00	13,370.63
488.10	0.00	403,771.554	53,122.12	0.00	0.00	13,459.05
488.15	0.00	406,431.243	53,265.47	0.00	0.00	13,547.71
488.20	0.00	409,098.104	53,409.02	0.00	0.00	13,636.60
488.25	0.00	411,772.148	53,552.76	0.00	0.00	13,725.74
488.30	0.00	414,453.383	53,696.69	0.00	0.00	13,815.11
488.35	0.00	417,141.820	53,840.81	0.00	0.00	13,904.73
488.40	0.00	419,837.468	53,985.13	0.00	0.00	13,994.58
488.45	0.00	422,540.336	54,129.64	0.00	0.00	14,084.68
488.50	0.00	425,250.435	54,274.34	0.00	0.00	14,175.01

Subsection: Elevation-Volume-Flow Table (Pond)  
 Label: Basin

Return Event: 2 years  
 Storm Event:

Elevation (ft)	Outflow (ft <sup>3</sup> /s)	Storage (ft <sup>3</sup> )	Area (ft <sup>2</sup> )	Infiltration (ft <sup>3</sup> /s)	Flow (Total) (ft <sup>3</sup> /s)	2S/t + O (ft <sup>3</sup> /s)
488.55	0.07	427,967.774	54,419.24	0.00	0.07	14,265.66
488.60	0.19	430,692.362	54,564.33	0.00	0.19	14,356.60
488.65	0.35	433,424.210	54,709.61	0.00	0.35	14,447.82
488.70	0.54	436,163.326	54,855.09	0.00	0.54	14,539.32
488.75	0.75	438,909.722	55,000.76	0.00	0.75	14,631.07
488.80	0.99	441,663.405	55,146.62	0.00	0.99	14,723.10
488.85	1.24	444,424.387	55,292.67	0.00	1.24	14,815.39
488.90	1.52	447,192.676	55,438.92	0.00	1.52	14,907.94
488.95	1.81	449,968.282	55,585.36	0.00	1.81	15,000.75
489.00	2.12	452,751.215	55,732.00	0.00	2.12	15,093.83
489.05	2.45	455,541.492	55,879.11	0.00	2.45	15,187.16
489.10	2.79	458,339.130	56,026.41	0.00	2.79	15,280.76
489.15	3.14	461,144.137	56,173.91	0.00	3.14	15,374.62
489.20	3.51	463,956.523	56,321.60	0.00	3.51	15,468.73
489.25	3.90	466,776.299	56,469.48	0.00	3.90	15,563.11
489.30	4.29	469,603.474	56,617.56	0.00	4.29	15,657.74
489.35	4.70	472,438.058	56,765.83	0.00	4.70	15,752.63
489.40	5.12	475,280.060	56,914.29	0.00	5.12	15,847.79
489.45	5.56	478,129.491	57,062.95	0.00	5.56	15,943.21
489.50	6.00	480,986.359	57,211.81	0.00	6.00	16,038.88
489.55	6.45	483,850.675	57,360.85	0.00	6.45	16,134.81
489.60	6.92	486,722.447	57,510.09	0.00	6.92	16,231.00
489.65	7.40	489,601.687	57,659.53	0.00	7.40	16,327.46
489.70	7.89	492,488.403	57,809.16	0.00	7.89	16,424.17
489.75	8.39	495,382.606	57,958.98	0.00	8.39	16,521.14
489.80	8.89	498,284.305	58,109.00	0.00	8.89	16,618.37
489.85	9.41	501,193.509	58,259.21	0.00	9.41	16,715.86
489.90	9.94	504,110.228	58,409.61	0.00	9.94	16,813.61
489.95	10.48	507,034.473	58,560.21	0.00	10.48	16,911.63
490.00	11.02	509,966.252	58,711.00	0.00	11.02	17,009.90
490.05	11.58	512,905.578	58,862.06	0.00	11.58	17,108.43
490.10	12.14	515,852.461	59,013.31	0.00	12.14	17,207.23
490.15	12.72	518,806.912	59,164.75	0.00	12.72	17,306.28
490.20	13.30	521,768.940	59,316.39	0.00	13.30	17,405.60
490.25	13.89	524,738.554	59,468.22	0.00	13.89	17,505.18
490.30	14.49	527,715.765	59,620.25	0.00	14.49	17,605.02
490.35	15.09	530,700.582	59,772.47	0.00	15.09	17,705.11
490.40	15.71	533,693.015	59,924.88	0.00	15.71	17,805.48
490.45	16.33	536,693.074	60,077.49	0.00	16.33	17,906.10
490.50	19.27	539,700.768	60,230.30	0.00	19.27	18,009.29
490.55	19.75	542,716.107	60,383.29	0.00	19.75	18,110.28
490.60	20.18	545,739.100	60,536.48	0.00	20.18	18,211.48
490.65	20.66	548,769.758	60,689.87	0.00	20.66	18,312.98
490.70	21.10	551,808.091	60,843.45	0.00	21.10	18,414.70
490.75	21.53	554,854.106	60,997.22	0.00	21.53	18,516.67

Subsection: Elevation-Volume-Flow Table (Pond)  
 Label: Basin

Return Event: 2 years  
 Storm Event:

Elevation (ft)	Outflow (ft <sup>3</sup> /s)	Storage (ft <sup>3</sup> )	Area (ft <sup>2</sup> )	Infiltration (ft <sup>3</sup> /s)	Flow (Total) (ft <sup>3</sup> /s)	2S/t + O (ft <sup>3</sup> /s)
490.80	21.97	557,907.816	61,151.19	0.00	21.97	18,618.90
490.85	22.36	560,969.229	61,305.35	0.00	22.36	18,721.34
490.90	22.78	564,038.354	61,459.71	0.00	22.78	18,824.06
490.95	23.20	567,115.203	61,614.26	0.00	23.20	18,927.04
491.00	23.60	570,199.783	61,769.00	0.00	23.60	19,030.26
491.05	23.97	573,292.109	61,924.05	0.00	23.97	19,133.71
491.10	24.35	576,392.192	62,079.30	0.00	24.35	19,237.42
491.15	24.75	579,500.042	62,234.74	0.00	24.75	19,341.42
491.20	25.10	582,615.669	62,390.38	0.00	25.10	19,445.62
491.25	25.45	585,739.083	62,546.21	0.00	25.45	19,550.09
491.30	25.83	588,870.294	62,702.24	0.00	25.83	19,654.84
491.35	26.18	592,009.310	62,858.46	0.00	26.18	19,759.83
491.40	26.54	595,156.143	63,014.87	0.00	26.54	19,865.08
491.45	26.87	598,310.801	63,171.48	0.00	26.87	19,970.56
491.50	27.24	601,473.294	63,328.28	0.00	27.24	20,076.35
491.55	27.56	604,643.632	63,485.28	0.00	27.56	20,182.35
491.60	27.90	607,821.825	63,642.47	0.00	27.90	20,288.63
491.65	28.21	611,007.882	63,799.86	0.00	28.21	20,395.14
491.70	28.55	614,201.814	63,957.44	0.00	28.55	20,501.94
491.75	28.89	617,403.629	64,115.21	0.00	28.89	20,609.01
491.80	29.20	620,613.338	64,273.18	0.00	29.20	20,716.31
491.85	29.52	623,830.950	64,431.34	0.00	29.52	20,823.89
491.90	29.83	627,056.476	64,589.70	0.00	29.83	20,931.72
491.95	30.15	630,289.924	64,748.25	0.00	30.15	21,039.81
492.00	30.44	633,531.304	64,907.00	0.00	30.44	21,148.15
492.05	30.75	636,780.630	65,066.05	0.00	30.75	21,256.77
492.10	31.05	640,037.913	65,225.30	0.00	31.05	21,365.65
492.15	31.32	643,303.163	65,384.74	0.00	31.32	21,474.76
492.20	31.63	646,576.390	65,544.37	0.00	31.63	21,584.18
492.25	31.93	649,857.603	65,704.20	0.00	31.93	21,693.85
492.30	32.23	653,146.813	65,864.23	0.00	32.23	21,803.79
492.35	32.50	656,444.029	66,024.44	0.00	32.50	21,913.97
492.40	32.76	659,749.261	66,184.86	0.00	32.76	22,024.41
492.45	33.07	663,062.518	66,345.47	0.00	33.07	22,135.15
492.50	33.33	666,383.810	66,506.27	0.00	33.33	22,246.13
492.55	33.64	669,713.148	66,667.27	0.00	33.64	22,357.41
492.60	33.89	673,050.540	66,828.46	0.00	33.89	22,468.91
492.65	34.16	676,395.997	66,989.84	0.00	34.16	22,580.70
492.70	34.43	679,749.528	67,151.43	0.00	34.43	22,692.75
492.75	34.71	683,111.143	67,313.20	0.00	34.71	22,805.08
492.80	34.96	686,480.851	67,475.17	0.00	34.96	22,917.65
492.85	35.23	689,858.663	67,637.34	0.00	35.23	23,030.52
492.90	35.49	693,244.588	67,799.70	0.00	35.49	23,143.64
492.95	35.76	696,638.636	67,962.25	0.00	35.76	23,257.04
493.00	36.02	700,040.817	68,125.00	0.00	36.02	23,370.71

Subsection: Elevation-Volume-Flow Table (Pond)  
 Label: Basin

Return Event: 2 years  
 Storm Event:

Elevation (ft)	Outflow (ft <sup>3</sup> /s)	Storage (ft <sup>3</sup> )	Area (ft <sup>2</sup> )	Infiltration (ft <sup>3</sup> /s)	Flow (Total) (ft <sup>3</sup> /s)	2S/t + O (ft <sup>3</sup> /s)
493.05	36.28	703,451.133	68,287.71	0.00	36.28	23,484.65
493.10	36.51	706,869.590	68,450.61	0.00	36.51	23,598.83
493.15	36.77	710,296.197	68,613.70	0.00	36.77	23,713.31
493.20	37.03	713,730.964	68,776.99	0.00	37.03	23,828.07
493.25	37.30	717,173.900	68,940.47	0.00	37.30	23,943.09
493.30	37.54	720,625.014	69,104.15	0.00	37.54	24,058.38
493.35	37.75	724,084.318	69,268.02	0.00	37.75	24,173.90
493.40	38.02	727,551.819	69,432.08	0.00	38.02	24,289.74
493.45	38.28	731,027.529	69,596.34	0.00	38.28	24,405.86
493.50	38.51	734,511.457	69,760.80	0.00	38.51	24,522.22
493.55	38.73	738,003.612	69,925.44	0.00	38.73	24,638.85
493.60	39.00	741,504.005	70,090.28	0.00	39.00	24,755.80
493.65	39.22	745,012.644	70,255.32	0.00	39.22	24,872.98
493.70	39.46	748,529.540	70,420.55	0.00	39.46	24,990.45
493.75	39.67	752,054.702	70,585.97	0.00	39.67	25,108.16
493.80	39.93	755,588.140	70,751.59	0.00	39.93	25,226.20
493.85	40.16	759,129.864	70,917.40	0.00	40.16	25,344.49
493.90	40.38	762,679.884	71,083.41	0.00	40.38	25,463.05
493.95	40.61	766,238.208	71,249.61	0.00	40.61	25,581.88
494.00	40.83	769,804.848	71,416.00	0.00	40.83	25,700.99
494.05	41.69	773,379.792	71,581.82	0.00	41.69	25,821.02
494.10	43.09	776,963.033	71,747.84	0.00	43.09	25,941.86
494.15	44.77	780,554.579	71,914.05	0.00	44.77	26,063.25
494.20	46.78	784,154.441	72,080.45	0.00	46.78	26,185.26
494.25	48.98	787,762.627	72,247.04	0.00	48.98	26,307.73
494.30	51.43	791,379.148	72,413.82	0.00	51.43	26,430.74
494.35	54.03	795,004.013	72,580.80	0.00	54.03	26,554.16
494.40	56.85	798,637.231	72,747.97	0.00	56.85	26,678.09
494.45	59.82	802,278.813	72,915.33	0.00	59.82	26,802.45
494.50	62.95	805,928.768	73,082.89	0.00	62.95	26,927.25
494.55	66.21	809,587.105	73,250.63	0.00	66.21	27,052.45
494.60	69.62	813,253.834	73,418.57	0.00	69.62	27,178.08
494.65	73.16	816,928.965	73,586.70	0.00	73.16	27,304.13
494.70	76.89	820,612.507	73,755.02	0.00	76.89	27,430.64
494.75	80.68	824,304.471	73,923.54	0.00	80.68	27,557.50
494.80	84.59	828,004.864	74,092.25	0.00	84.59	27,684.75
494.85	88.64	831,713.698	74,261.15	0.00	88.64	27,812.43
494.90	92.79	835,430.982	74,430.24	0.00	92.79	27,940.49
494.95	96.96	839,156.726	74,599.52	0.00	96.96	28,068.86
495.00	100.53	842,890.938	74,769.00	0.00	100.53	28,196.89
495.05	103.99	846,633.635	74,938.92	0.00	103.99	28,325.11
495.10	107.49	850,384.833	75,109.03	0.00	107.49	28,453.65
495.15	111.03	854,144.541	75,279.33	0.00	111.03	28,582.51
495.20	114.59	857,912.769	75,449.83	0.00	114.59	28,711.68
495.25	118.18	861,689.527	75,620.52	0.00	118.18	28,841.16



Subsection: Elevation-Volume-Flow Table (Pond)  
 Label: Basin

Return Event: 2 years  
 Storm Event:

Elevation (ft)	Outflow (ft <sup>3</sup> /s)	Storage (ft <sup>3</sup> )	Area (ft <sup>2</sup> )	Infiltration (ft <sup>3</sup> /s)	Flow (Total) (ft <sup>3</sup> /s)	2S/t + O (ft <sup>3</sup> /s)
495.30	121.78	865,474.824	75,791.40	0.00	121.78	28,970.94
495.35	125.38	869,268.670	75,962.48	0.00	125.38	29,101.01
495.40	128.97	873,071.075	76,133.74	0.00	128.97	29,231.34
495.45	132.57	876,882.048	76,305.20	0.00	132.57	29,361.97
495.50	136.16	880,701.599	76,476.86	0.00	136.16	29,492.88
495.55	139.72	884,529.737	76,648.70	0.00	139.72	29,624.05
495.60	143.24	888,366.472	76,820.74	0.00	143.24	29,755.46
495.65	146.71	892,211.814	76,992.98	0.00	146.71	29,887.10
495.70	150.08	896,065.773	77,165.40	0.00	150.08	30,018.94
495.75	153.39	899,928.358	77,338.02	0.00	153.39	30,151.00
495.80	156.59	903,799.578	77,510.83	0.00	156.59	30,283.24
495.85	157.78	907,679.444	77,683.83	0.00	157.78	30,413.76
495.90	158.94	911,567.964	77,857.03	0.00	158.94	30,544.54
495.95	160.04	915,465.150	78,030.42	0.00	160.04	30,675.54
496.00	161.13	919,371.009	78,204.00	0.00	161.13	30,806.83
496.05	162.20	923,285.496	78,375.52	0.00	162.20	30,938.39
496.10	163.22	927,208.564	78,547.22	0.00	163.22	31,070.18
496.15	164.24	931,140.221	78,719.11	0.00	164.24	31,202.24
496.20	165.23	935,080.478	78,891.19	0.00	165.23	31,334.58
496.25	166.18	939,029.343	79,063.45	0.00	166.18	31,467.16
496.30	167.09	942,986.827	79,235.91	0.00	167.09	31,599.99
496.35	168.01	946,952.937	79,408.55	0.00	168.01	31,733.11
496.40	168.92	950,927.685	79,581.38	0.00	168.92	31,866.50
496.45	169.72	954,911.079	79,754.40	0.00	169.72	32,000.09
496.50	170.56	958,903.128	79,927.61	0.00	170.56	32,134.00
496.55	171.35	962,903.842	80,101.00	0.00	171.35	32,268.15
496.60	172.12	966,913.231	80,274.58	0.00	172.12	32,402.56
496.65	172.86	970,931.304	80,448.35	0.00	172.86	32,537.24
496.70	173.53	974,958.069	80,622.31	0.00	173.53	32,672.14
496.75	174.21	978,993.538	80,796.45	0.00	174.21	32,807.33
496.80	174.88	983,037.718	80,970.79	0.00	174.88	32,942.81
496.85	175.45	987,090.620	81,145.31	0.00	175.45	33,078.48
496.90	176.09	991,152.252	81,320.02	0.00	176.09	33,214.50
496.95	176.60	995,222.625	81,494.92	0.00	176.60	33,350.69
497.00	177.14	999,301.747	81,670.00	0.00	177.14	33,487.20

Subsection: Elevation-Volume-Flow Table (Pond)  
 Label: Basin

Return Event: 15 years  
 Storm Event:

Infiltration	
Infiltration Method (Computed)	No Infiltration

---

Initial Conditions	
Elevation (Water Surface, Initial)	488.50 ft
Volume (Initial)	425,250.000 ft <sup>3</sup>
Flow (Initial Outlet)	0.00 ft <sup>3</sup> /s
Flow (Initial Infiltration)	0.00 ft <sup>3</sup> /s
Flow (Initial, Total)	0.00 ft <sup>3</sup> /s
Time Increment	1 min

Elevation (ft)	Outflow (ft <sup>3</sup> /s)	Storage (ft <sup>3</sup> )	Area (ft <sup>2</sup> )	Infiltration (ft <sup>3</sup> /s)	Flow (Total) (ft <sup>3</sup> /s)	2S/t + O (ft <sup>3</sup> /s)
478.00	0.00	0.000	28,132.00	0.00	0.00	0.00
478.05	0.00	1,409.216	28,236.65	0.00	0.00	46.97
478.10	0.00	2,823.669	28,341.50	0.00	0.00	94.12
478.15	0.00	4,243.369	28,446.55	0.00	0.00	141.45
478.20	0.00	5,668.326	28,551.78	0.00	0.00	188.94
478.25	0.00	7,098.551	28,657.21	0.00	0.00	236.62
478.30	0.00	8,534.051	28,762.84	0.00	0.00	284.47
478.35	0.00	9,974.838	28,868.66	0.00	0.00	332.49
478.40	0.00	11,420.920	28,974.67	0.00	0.00	380.70
478.45	0.00	12,872.308	29,080.88	0.00	0.00	429.08
478.50	0.00	14,329.012	29,187.28	0.00	0.00	477.63
478.55	0.00	15,791.040	29,293.88	0.00	0.00	526.37
478.60	0.00	17,258.403	29,400.67	0.00	0.00	575.28
478.65	0.00	18,731.111	29,507.66	0.00	0.00	624.37
478.70	0.00	20,209.172	29,614.84	0.00	0.00	673.64
478.75	0.00	21,692.598	29,722.21	0.00	0.00	723.09
478.80	0.00	23,181.397	29,829.78	0.00	0.00	772.71
478.85	0.00	24,675.579	29,937.55	0.00	0.00	822.52
478.90	0.00	26,175.155	30,045.50	0.00	0.00	872.51
478.95	0.00	27,680.133	30,153.65	0.00	0.00	922.67
479.00	0.00	29,190.523	30,262.00	0.00	0.00	973.02
479.05	0.00	30,706.331	30,370.36	0.00	0.00	1,023.54
479.10	0.00	32,227.563	30,478.91	0.00	0.00	1,074.25
479.15	0.00	33,754.226	30,587.66	0.00	0.00	1,125.14
479.20	0.00	35,286.332	30,696.60	0.00	0.00	1,176.21
479.25	0.00	36,823.890	30,805.74	0.00	0.00	1,227.46
479.30	0.00	38,366.909	30,915.07	0.00	0.00	1,278.90
479.35	0.00	39,915.400	31,024.59	0.00	0.00	1,330.51
479.40	0.00	41,469.371	31,134.30	0.00	0.00	1,382.31
479.45	0.00	43,028.833	31,244.21	0.00	0.00	1,434.29
479.50	0.00	44,593.796	31,354.32	0.00	0.00	1,486.46

Subsection: Elevation-Volume-Flow Table (Pond)  
 Label: Basin

Return Event: 15 years  
 Storm Event:

Elevation (ft)	Outflow (ft <sup>3</sup> /s)	Storage (ft <sup>3</sup> )	Area (ft <sup>2</sup> )	Infiltration (ft <sup>3</sup> /s)	Flow (Total) (ft <sup>3</sup> /s)	2S/t + O (ft <sup>3</sup> /s)
479.55	0.00	46,164.268	31,464.61	0.00	0.00	1,538.81
479.60	0.00	47,740.260	31,575.10	0.00	0.00	1,591.34
479.65	0.00	49,321.782	31,685.79	0.00	0.00	1,644.06
479.70	0.00	50,908.842	31,796.67	0.00	0.00	1,696.96
479.75	0.00	52,501.452	31,907.74	0.00	0.00	1,750.05
479.80	0.00	54,099.619	32,019.00	0.00	0.00	1,803.32
479.85	0.00	55,703.355	32,130.46	0.00	0.00	1,856.78
479.90	0.00	57,312.669	32,242.11	0.00	0.00	1,910.42
479.95	0.00	58,927.570	32,353.96	0.00	0.00	1,964.25
480.00	0.00	60,548.068	32,466.00	0.00	0.00	2,018.27
480.05	0.00	62,174.176	32,578.36	0.00	0.00	2,072.47
480.10	0.00	63,805.907	32,690.91	0.00	0.00	2,126.86
480.15	0.00	65,443.270	32,803.65	0.00	0.00	2,181.44
480.20	0.00	67,086.275	32,916.59	0.00	0.00	2,236.21
480.25	0.00	68,734.932	33,029.72	0.00	0.00	2,291.16
480.30	0.00	70,389.251	33,143.05	0.00	0.00	2,346.31
480.35	0.00	72,049.240	33,256.57	0.00	0.00	2,401.64
480.40	0.00	73,714.911	33,370.28	0.00	0.00	2,457.16
480.45	0.00	75,386.272	33,484.19	0.00	0.00	2,512.88
480.50	0.00	77,063.333	33,598.30	0.00	0.00	2,568.78
480.55	0.00	78,746.105	33,712.59	0.00	0.00	2,624.87
480.60	0.00	80,434.596	33,827.08	0.00	0.00	2,681.15
480.65	0.00	82,128.816	33,941.77	0.00	0.00	2,737.63
480.70	0.00	83,828.776	34,056.65	0.00	0.00	2,794.29
480.75	0.00	85,534.484	34,171.72	0.00	0.00	2,851.15
480.80	0.00	87,245.951	34,286.99	0.00	0.00	2,908.20
480.85	0.00	88,963.187	34,402.45	0.00	0.00	2,965.44
480.90	0.00	90,686.200	34,518.11	0.00	0.00	3,022.87
480.95	0.00	92,415.001	34,633.96	0.00	0.00	3,080.50
481.00	0.00	94,149.599	34,750.00	0.00	0.00	3,138.32
481.05	0.00	95,889.987	34,865.58	0.00	0.00	3,196.33
481.10	0.00	97,636.160	34,981.35	0.00	0.00	3,254.54
481.15	0.00	99,388.125	35,097.31	0.00	0.00	3,312.94
481.20	0.00	101,145.893	35,213.46	0.00	0.00	3,371.53
481.25	0.00	102,909.474	35,329.80	0.00	0.00	3,430.32
481.30	0.00	104,678.877	35,446.34	0.00	0.00	3,489.30
481.35	0.00	106,454.112	35,563.07	0.00	0.00	3,548.47
481.40	0.00	108,235.187	35,679.99	0.00	0.00	3,607.84
481.45	0.00	110,022.114	35,797.10	0.00	0.00	3,667.40
481.50	0.00	111,814.901	35,914.41	0.00	0.00	3,727.16
481.55	0.00	113,613.557	36,031.90	0.00	0.00	3,787.12
481.60	0.00	115,418.094	36,149.59	0.00	0.00	3,847.27
481.65	0.00	117,228.520	36,267.47	0.00	0.00	3,907.62
481.70	0.00	119,044.844	36,385.54	0.00	0.00	3,968.16
481.75	0.00	120,867.077	36,503.80	0.00	0.00	4,028.90

Subsection: Elevation-Volume-Flow Table (Pond)  
 Label: Basin

Return Event: 15 years  
 Storm Event:

Elevation (ft)	Outflow (ft <sup>3</sup> /s)	Storage (ft <sup>3</sup> )	Area (ft <sup>2</sup> )	Infiltration (ft <sup>3</sup> /s)	Flow (Total) (ft <sup>3</sup> /s)	2S/t + O (ft <sup>3</sup> /s)
481.80	0.00	122,695.228	36,622.26	0.00	0.00	4,089.84
481.85	0.00	124,529.306	36,740.91	0.00	0.00	4,150.98
481.90	0.00	126,369.322	36,859.75	0.00	0.00	4,212.31
481.95	0.00	128,215.284	36,978.78	0.00	0.00	4,273.84
482.00	0.00	130,067.203	37,098.00	0.00	0.00	4,335.57
482.05	0.00	131,925.093	37,217.67	0.00	0.00	4,397.50
482.10	0.00	133,788.973	37,337.53	0.00	0.00	4,459.63
482.15	0.00	135,658.850	37,457.59	0.00	0.00	4,521.96
482.20	0.00	137,534.734	37,577.83	0.00	0.00	4,584.49
482.25	0.00	139,416.636	37,698.27	0.00	0.00	4,647.22
482.30	0.00	141,304.565	37,818.91	0.00	0.00	4,710.15
482.35	0.00	143,198.530	37,939.73	0.00	0.00	4,773.28
482.40	0.00	145,098.541	38,060.75	0.00	0.00	4,836.62
482.45	0.00	147,004.608	38,181.96	0.00	0.00	4,900.15
482.50	0.00	148,916.741	38,303.36	0.00	0.00	4,963.89
482.55	0.00	150,834.948	38,424.96	0.00	0.00	5,027.83
482.60	0.00	152,759.240	38,546.75	0.00	0.00	5,091.97
482.65	0.00	154,689.626	38,668.73	0.00	0.00	5,156.32
482.70	0.00	156,626.117	38,790.91	0.00	0.00	5,220.87
482.75	0.00	158,568.720	38,913.27	0.00	0.00	5,285.62
482.80	0.00	160,517.447	39,035.83	0.00	0.00	5,350.58
482.85	0.00	162,472.307	39,158.59	0.00	0.00	5,415.74
482.90	0.00	164,433.309	39,281.53	0.00	0.00	5,481.11
482.95	0.00	166,400.463	39,404.67	0.00	0.00	5,546.68
483.00	0.00	168,373.779	39,528.00	0.00	0.00	5,612.46
483.05	0.00	170,353.266	39,651.52	0.00	0.00	5,678.44
483.10	0.00	172,338.934	39,775.23	0.00	0.00	5,744.63
483.15	0.00	174,330.793	39,899.14	0.00	0.00	5,811.03
483.20	0.00	176,328.851	40,023.23	0.00	0.00	5,877.63
483.25	0.00	178,333.119	40,147.52	0.00	0.00	5,944.44
483.30	0.00	180,343.607	40,272.01	0.00	0.00	6,011.45
483.35	0.00	182,360.323	40,396.68	0.00	0.00	6,078.68
483.40	0.00	184,383.278	40,521.55	0.00	0.00	6,146.11
483.45	0.00	186,412.481	40,646.61	0.00	0.00	6,213.75
483.50	0.00	188,447.943	40,771.87	0.00	0.00	6,281.60
483.55	0.00	190,489.671	40,897.31	0.00	0.00	6,349.66
483.60	0.00	192,537.677	41,022.95	0.00	0.00	6,417.92
483.65	0.00	194,591.970	41,148.78	0.00	0.00	6,486.40
483.70	0.00	196,652.558	41,274.81	0.00	0.00	6,555.09
483.75	0.00	198,719.453	41,401.02	0.00	0.00	6,623.98
483.80	0.00	200,792.664	41,527.43	0.00	0.00	6,693.09
483.85	0.00	202,872.200	41,654.04	0.00	0.00	6,762.41
483.90	0.00	204,958.071	41,780.83	0.00	0.00	6,831.94
483.95	0.00	207,050.286	41,907.82	0.00	0.00	6,901.68
484.00	0.00	209,148.856	42,035.00	0.00	0.00	6,971.63

Subsection: Elevation-Volume-Flow Table (Pond)  
 Label: Basin

Return Event: 15 years  
 Storm Event:

Elevation (ft)	Outflow (ft <sup>3</sup> /s)	Storage (ft <sup>3</sup> )	Area (ft <sup>2</sup> )	Infiltration (ft <sup>3</sup> /s)	Flow (Total) (ft <sup>3</sup> /s)	2S/t + O (ft <sup>3</sup> /s)
484.05	0.00	211,253.790	42,162.37	0.00	0.00	7,041.79
484.10	0.00	213,365.096	42,289.93	0.00	0.00	7,112.17
484.15	0.00	215,482.786	42,417.69	0.00	0.00	7,182.76
484.20	0.00	217,606.868	42,545.63	0.00	0.00	7,253.56
484.25	0.00	219,737.353	42,673.77	0.00	0.00	7,324.58
484.30	0.00	221,874.249	42,802.11	0.00	0.00	7,395.81
484.35	0.00	224,017.567	42,930.63	0.00	0.00	7,467.25
484.40	0.00	226,167.315	43,059.35	0.00	0.00	7,538.91
484.45	0.00	228,323.505	43,188.26	0.00	0.00	7,610.78
484.50	0.00	230,486.145	43,317.37	0.00	0.00	7,682.87
484.55	0.00	232,655.245	43,446.66	0.00	0.00	7,755.17
484.60	0.00	234,830.814	43,576.15	0.00	0.00	7,827.69
484.65	0.00	237,012.863	43,705.83	0.00	0.00	7,900.43
484.70	0.00	239,201.401	43,835.71	0.00	0.00	7,973.38
484.75	0.00	241,396.437	43,965.77	0.00	0.00	8,046.55
484.80	0.00	243,597.981	44,096.03	0.00	0.00	8,119.93
484.85	0.00	245,806.044	44,226.49	0.00	0.00	8,193.53
484.90	0.00	248,020.633	44,357.13	0.00	0.00	8,267.35
484.95	0.00	250,241.760	44,487.97	0.00	0.00	8,341.39
485.00	0.00	252,469.434	44,619.00	0.00	0.00	8,415.65
485.05	0.00	254,703.661	44,750.12	0.00	0.00	8,490.12
485.10	0.00	256,944.449	44,881.44	0.00	0.00	8,564.81
485.15	0.00	259,191.808	45,012.94	0.00	0.00	8,639.73
485.20	0.00	261,445.747	45,144.64	0.00	0.00	8,714.86
485.25	0.00	263,706.275	45,276.54	0.00	0.00	8,790.21
485.30	0.00	265,973.403	45,408.62	0.00	0.00	8,865.78
485.35	0.00	268,247.140	45,540.90	0.00	0.00	8,941.57
485.40	0.00	270,527.496	45,673.37	0.00	0.00	9,017.58
485.45	0.00	272,814.480	45,806.03	0.00	0.00	9,093.82
485.50	0.00	275,108.102	45,938.88	0.00	0.00	9,170.27
485.55	0.00	277,408.372	46,071.93	0.00	0.00	9,246.95
485.60	0.00	279,715.298	46,205.17	0.00	0.00	9,323.84
485.65	0.00	282,028.891	46,338.60	0.00	0.00	9,400.96
485.70	0.00	284,349.161	46,472.22	0.00	0.00	9,478.31
485.75	0.00	286,676.117	46,606.04	0.00	0.00	9,555.87
485.80	0.00	289,009.768	46,740.04	0.00	0.00	9,633.66
485.85	0.00	291,350.124	46,874.24	0.00	0.00	9,711.67
485.90	0.00	293,697.195	47,008.64	0.00	0.00	9,789.91
485.95	0.00	296,050.991	47,143.22	0.00	0.00	9,868.37
486.00	0.00	298,411.521	47,278.00	0.00	0.00	9,947.05
486.05	0.00	300,778.799	47,413.17	0.00	0.00	10,025.96
486.10	0.00	303,152.841	47,548.53	0.00	0.00	10,105.09
486.15	0.00	305,533.655	47,684.08	0.00	0.00	10,184.46
486.20	0.00	307,921.252	47,819.83	0.00	0.00	10,264.04
486.25	0.00	310,315.641	47,955.76	0.00	0.00	10,343.85

Subsection: Elevation-Volume-Flow Table (Pond)  
 Label: Basin

Return Event: 15 years  
 Storm Event:

Elevation (ft)	Outflow (ft <sup>3</sup> /s)	Storage (ft <sup>3</sup> )	Area (ft <sup>2</sup> )	Infiltration (ft <sup>3</sup> /s)	Flow (Total) (ft <sup>3</sup> /s)	2S/t + O (ft <sup>3</sup> /s)
486.30	0.00	312,716.832	48,091.90	0.00	0.00	10,423.89
486.35	0.00	315,124.834	48,228.22	0.00	0.00	10,504.16
486.40	0.00	317,539.657	48,364.74	0.00	0.00	10,584.66
486.45	0.00	319,961.311	48,501.45	0.00	0.00	10,665.38
486.50	0.00	322,389.805	48,638.35	0.00	0.00	10,746.33
486.55	0.00	324,825.149	48,775.45	0.00	0.00	10,827.50
486.60	0.00	327,267.353	48,912.74	0.00	0.00	10,908.91
486.65	0.00	329,716.426	49,050.22	0.00	0.00	10,990.55
486.70	0.00	332,172.378	49,187.90	0.00	0.00	11,072.41
486.75	0.00	334,635.219	49,325.76	0.00	0.00	11,154.51
486.80	0.00	337,104.958	49,463.83	0.00	0.00	11,236.83
486.85	0.00	339,581.605	49,602.08	0.00	0.00	11,319.39
486.90	0.00	342,065.169	49,740.53	0.00	0.00	11,402.17
486.95	0.00	344,555.661	49,879.17	0.00	0.00	11,485.19
487.00	0.00	347,053.089	50,018.00	0.00	0.00	11,568.44
487.05	0.00	349,557.465	50,157.07	0.00	0.00	11,651.92
487.10	0.00	352,068.799	50,296.32	0.00	0.00	11,735.63
487.15	0.00	354,587.101	50,435.78	0.00	0.00	11,819.57
487.20	0.00	357,112.380	50,575.42	0.00	0.00	11,903.75
487.25	0.00	359,644.646	50,715.26	0.00	0.00	11,988.15
487.30	0.00	362,183.909	50,855.29	0.00	0.00	12,072.80
487.35	0.00	364,730.179	50,995.52	0.00	0.00	12,157.67
487.40	0.00	367,283.464	51,135.93	0.00	0.00	12,242.78
487.45	0.00	369,843.775	51,276.54	0.00	0.00	12,328.13
487.50	0.00	372,411.122	51,417.35	0.00	0.00	12,413.70
487.55	0.00	374,985.513	51,558.34	0.00	0.00	12,499.52
487.60	0.00	377,566.959	51,699.53	0.00	0.00	12,585.57
487.65	0.00	380,155.470	51,840.92	0.00	0.00	12,671.85
487.70	0.00	382,751.054	51,982.49	0.00	0.00	12,758.37
487.75	0.00	385,353.722	52,124.26	0.00	0.00	12,845.12
487.80	0.00	387,963.483	52,266.22	0.00	0.00	12,932.12
487.85	0.00	390,580.348	52,408.38	0.00	0.00	13,019.34
487.90	0.00	393,204.324	52,550.72	0.00	0.00	13,106.81
487.95	0.00	395,835.423	52,693.27	0.00	0.00	13,194.51
488.00	0.00	398,473.654	52,836.00	0.00	0.00	13,282.46
488.05	0.00	401,119.027	52,978.96	0.00	0.00	13,370.63
488.10	0.00	403,771.554	53,122.12	0.00	0.00	13,459.05
488.15	0.00	406,431.243	53,265.47	0.00	0.00	13,547.71
488.20	0.00	409,098.104	53,409.02	0.00	0.00	13,636.60
488.25	0.00	411,772.148	53,552.76	0.00	0.00	13,725.74
488.30	0.00	414,453.383	53,696.69	0.00	0.00	13,815.11
488.35	0.00	417,141.820	53,840.81	0.00	0.00	13,904.73
488.40	0.00	419,837.468	53,985.13	0.00	0.00	13,994.58
488.45	0.00	422,540.336	54,129.64	0.00	0.00	14,084.68
488.50	0.00	425,250.435	54,274.34	0.00	0.00	14,175.01

Subsection: Elevation-Volume-Flow Table (Pond)  
 Label: Basin

Return Event: 15 years  
 Storm Event:

Elevation (ft)	Outflow (ft <sup>3</sup> /s)	Storage (ft <sup>3</sup> )	Area (ft <sup>2</sup> )	Infiltration (ft <sup>3</sup> /s)	Flow (Total) (ft <sup>3</sup> /s)	2S/t + O (ft <sup>3</sup> /s)
488.55	0.07	427,967.774	54,419.24	0.00	0.07	14,265.66
488.60	0.19	430,692.362	54,564.33	0.00	0.19	14,356.60
488.65	0.35	433,424.210	54,709.61	0.00	0.35	14,447.82
488.70	0.54	436,163.326	54,855.09	0.00	0.54	14,539.32
488.75	0.75	438,909.722	55,000.76	0.00	0.75	14,631.07
488.80	0.99	441,663.405	55,146.62	0.00	0.99	14,723.10
488.85	1.24	444,424.387	55,292.67	0.00	1.24	14,815.39
488.90	1.52	447,192.676	55,438.92	0.00	1.52	14,907.94
488.95	1.81	449,968.282	55,585.36	0.00	1.81	15,000.75
489.00	2.12	452,751.215	55,732.00	0.00	2.12	15,093.83
489.05	2.45	455,541.492	55,879.11	0.00	2.45	15,187.16
489.10	2.79	458,339.130	56,026.41	0.00	2.79	15,280.76
489.15	3.14	461,144.137	56,173.91	0.00	3.14	15,374.62
489.20	3.51	463,956.523	56,321.60	0.00	3.51	15,468.73
489.25	3.90	466,776.299	56,469.48	0.00	3.90	15,563.11
489.30	4.29	469,603.474	56,617.56	0.00	4.29	15,657.74
489.35	4.70	472,438.058	56,765.83	0.00	4.70	15,752.63
489.40	5.12	475,280.060	56,914.29	0.00	5.12	15,847.79
489.45	5.56	478,129.491	57,062.95	0.00	5.56	15,943.21
489.50	6.00	480,986.359	57,211.81	0.00	6.00	16,038.88
489.55	6.45	483,850.675	57,360.85	0.00	6.45	16,134.81
489.60	6.92	486,722.447	57,510.09	0.00	6.92	16,231.00
489.65	7.40	489,601.687	57,659.53	0.00	7.40	16,327.46
489.70	7.89	492,488.403	57,809.16	0.00	7.89	16,424.17
489.75	8.39	495,382.606	57,958.98	0.00	8.39	16,521.14
489.80	8.89	498,284.305	58,109.00	0.00	8.89	16,618.37
489.85	9.41	501,193.509	58,259.21	0.00	9.41	16,715.86
489.90	9.94	504,110.228	58,409.61	0.00	9.94	16,813.61
489.95	10.48	507,034.473	58,560.21	0.00	10.48	16,911.63
490.00	11.02	509,966.252	58,711.00	0.00	11.02	17,009.90
490.05	11.58	512,905.578	58,862.06	0.00	11.58	17,108.43
490.10	12.14	515,852.461	59,013.31	0.00	12.14	17,207.23
490.15	12.72	518,806.912	59,164.75	0.00	12.72	17,306.28
490.20	13.30	521,768.940	59,316.39	0.00	13.30	17,405.60
490.25	13.89	524,738.554	59,468.22	0.00	13.89	17,505.18
490.30	14.49	527,715.765	59,620.25	0.00	14.49	17,605.02
490.35	15.09	530,700.582	59,772.47	0.00	15.09	17,705.11
490.40	15.71	533,693.015	59,924.88	0.00	15.71	17,805.48
490.45	16.33	536,693.074	60,077.49	0.00	16.33	17,906.10
490.50	19.27	539,700.768	60,230.30	0.00	19.27	18,009.29
490.55	19.75	542,716.107	60,383.29	0.00	19.75	18,110.28
490.60	20.18	545,739.100	60,536.48	0.00	20.18	18,211.48
490.65	20.66	548,769.758	60,689.87	0.00	20.66	18,312.98
490.70	21.10	551,808.091	60,843.45	0.00	21.10	18,414.70
490.75	21.53	554,854.106	60,997.22	0.00	21.53	18,516.67

Subsection: Elevation-Volume-Flow Table (Pond)  
 Label: Basin

Return Event: 15 years  
 Storm Event:

Elevation (ft)	Outflow (ft <sup>3</sup> /s)	Storage (ft <sup>3</sup> )	Area (ft <sup>2</sup> )	Infiltration (ft <sup>3</sup> /s)	Flow (Total) (ft <sup>3</sup> /s)	2S/t + O (ft <sup>3</sup> /s)
490.80	21.97	557,907.816	61,151.19	0.00	21.97	18,618.90
490.85	22.36	560,969.229	61,305.35	0.00	22.36	18,721.34
490.90	22.78	564,038.354	61,459.71	0.00	22.78	18,824.06
490.95	23.20	567,115.203	61,614.26	0.00	23.20	18,927.04
491.00	23.60	570,199.783	61,769.00	0.00	23.60	19,030.26
491.05	23.97	573,292.109	61,924.05	0.00	23.97	19,133.71
491.10	24.35	576,392.192	62,079.30	0.00	24.35	19,237.42
491.15	24.75	579,500.042	62,234.74	0.00	24.75	19,341.42
491.20	25.10	582,615.669	62,390.38	0.00	25.10	19,445.62
491.25	25.45	585,739.083	62,546.21	0.00	25.45	19,550.09
491.30	25.83	588,870.294	62,702.24	0.00	25.83	19,654.84
491.35	26.18	592,009.310	62,858.46	0.00	26.18	19,759.83
491.40	26.54	595,156.143	63,014.87	0.00	26.54	19,865.08
491.45	26.87	598,310.801	63,171.48	0.00	26.87	19,970.56
491.50	27.24	601,473.294	63,328.28	0.00	27.24	20,076.35
491.55	27.56	604,643.632	63,485.28	0.00	27.56	20,182.35
491.60	27.90	607,821.825	63,642.47	0.00	27.90	20,288.63
491.65	28.21	611,007.882	63,799.86	0.00	28.21	20,395.14
491.70	28.55	614,201.814	63,957.44	0.00	28.55	20,501.94
491.75	28.89	617,403.629	64,115.21	0.00	28.89	20,609.01
491.80	29.20	620,613.338	64,273.18	0.00	29.20	20,716.31
491.85	29.52	623,830.950	64,431.34	0.00	29.52	20,823.89
491.90	29.83	627,056.476	64,589.70	0.00	29.83	20,931.72
491.95	30.15	630,289.924	64,748.25	0.00	30.15	21,039.81
492.00	30.44	633,531.304	64,907.00	0.00	30.44	21,148.15
492.05	30.75	636,780.630	65,066.05	0.00	30.75	21,256.77
492.10	31.05	640,037.913	65,225.30	0.00	31.05	21,365.65
492.15	31.32	643,303.163	65,384.74	0.00	31.32	21,474.76
492.20	31.63	646,576.390	65,544.37	0.00	31.63	21,584.18
492.25	31.93	649,857.603	65,704.20	0.00	31.93	21,693.85
492.30	32.23	653,146.813	65,864.23	0.00	32.23	21,803.79
492.35	32.50	656,444.029	66,024.44	0.00	32.50	21,913.97
492.40	32.76	659,749.261	66,184.86	0.00	32.76	22,024.41
492.45	33.07	663,062.518	66,345.47	0.00	33.07	22,135.15
492.50	33.33	666,383.810	66,506.27	0.00	33.33	22,246.13
492.55	33.64	669,713.148	66,667.27	0.00	33.64	22,357.41
492.60	33.89	673,050.540	66,828.46	0.00	33.89	22,468.91
492.65	34.16	676,395.997	66,989.84	0.00	34.16	22,580.70
492.70	34.43	679,749.528	67,151.43	0.00	34.43	22,692.75
492.75	34.71	683,111.143	67,313.20	0.00	34.71	22,805.08
492.80	34.96	686,480.851	67,475.17	0.00	34.96	22,917.65
492.85	35.23	689,858.663	67,637.34	0.00	35.23	23,030.52
492.90	35.49	693,244.588	67,799.70	0.00	35.49	23,143.64
492.95	35.76	696,638.636	67,962.25	0.00	35.76	23,257.04
493.00	36.02	700,040.817	68,125.00	0.00	36.02	23,370.71



Subsection: Elevation-Volume-Flow Table (Pond)  
 Label: Basin

Return Event: 15 years  
 Storm Event:

Elevation (ft)	Outflow (ft <sup>3</sup> /s)	Storage (ft <sup>3</sup> )	Area (ft <sup>2</sup> )	Infiltration (ft <sup>3</sup> /s)	Flow (Total) (ft <sup>3</sup> /s)	2S/t + O (ft <sup>3</sup> /s)
493.05	36.28	703,451.133	68,287.71	0.00	36.28	23,484.65
493.10	36.51	706,869.590	68,450.61	0.00	36.51	23,598.83
493.15	36.77	710,296.197	68,613.70	0.00	36.77	23,713.31
493.20	37.03	713,730.964	68,776.99	0.00	37.03	23,828.07
493.25	37.30	717,173.900	68,940.47	0.00	37.30	23,943.09
493.30	37.54	720,625.014	69,104.15	0.00	37.54	24,058.38
493.35	37.75	724,084.318	69,268.02	0.00	37.75	24,173.90
493.40	38.02	727,551.819	69,432.08	0.00	38.02	24,289.74
493.45	38.28	731,027.529	69,596.34	0.00	38.28	24,405.86
493.50	38.51	734,511.457	69,760.80	0.00	38.51	24,522.22
493.55	38.73	738,003.612	69,925.44	0.00	38.73	24,638.85
493.60	39.00	741,504.005	70,090.28	0.00	39.00	24,755.80
493.65	39.22	745,012.644	70,255.32	0.00	39.22	24,872.98
493.70	39.46	748,529.540	70,420.55	0.00	39.46	24,990.45
493.75	39.67	752,054.702	70,585.97	0.00	39.67	25,108.16
493.80	39.93	755,588.140	70,751.59	0.00	39.93	25,226.20
493.85	40.16	759,129.864	70,917.40	0.00	40.16	25,344.49
493.90	40.38	762,679.884	71,083.41	0.00	40.38	25,463.05
493.95	40.61	766,238.208	71,249.61	0.00	40.61	25,581.88
494.00	40.83	769,804.848	71,416.00	0.00	40.83	25,700.99
494.05	41.69	773,379.792	71,581.82	0.00	41.69	25,821.02
494.10	43.09	776,963.033	71,747.84	0.00	43.09	25,941.86
494.15	44.77	780,554.579	71,914.05	0.00	44.77	26,063.25
494.20	46.78	784,154.441	72,080.45	0.00	46.78	26,185.26
494.25	48.98	787,762.627	72,247.04	0.00	48.98	26,307.73
494.30	51.43	791,379.148	72,413.82	0.00	51.43	26,430.74
494.35	54.03	795,004.013	72,580.80	0.00	54.03	26,554.16
494.40	56.85	798,637.231	72,747.97	0.00	56.85	26,678.09
494.45	59.82	802,278.813	72,915.33	0.00	59.82	26,802.45
494.50	62.95	805,928.768	73,082.89	0.00	62.95	26,927.25
494.55	66.21	809,587.105	73,250.63	0.00	66.21	27,052.45
494.60	69.62	813,253.834	73,418.57	0.00	69.62	27,178.08
494.65	73.16	816,928.965	73,586.70	0.00	73.16	27,304.13
494.70	76.89	820,612.507	73,755.02	0.00	76.89	27,430.64
494.75	80.68	824,304.471	73,923.54	0.00	80.68	27,557.50
494.80	84.59	828,004.864	74,092.25	0.00	84.59	27,684.75
494.85	88.64	831,713.698	74,261.15	0.00	88.64	27,812.43
494.90	92.79	835,430.982	74,430.24	0.00	92.79	27,940.49
494.95	96.96	839,156.726	74,599.52	0.00	96.96	28,068.86
495.00	100.53	842,890.938	74,769.00	0.00	100.53	28,196.89
495.05	103.99	846,633.635	74,938.92	0.00	103.99	28,325.11
495.10	107.49	850,384.833	75,109.03	0.00	107.49	28,453.65
495.15	111.03	854,144.541	75,279.33	0.00	111.03	28,582.51
495.20	114.59	857,912.769	75,449.83	0.00	114.59	28,711.68
495.25	118.18	861,689.527	75,620.52	0.00	118.18	28,841.16

Subsection: Elevation-Volume-Flow Table (Pond)  
 Label: Basin

Return Event: 15 years  
 Storm Event:

Elevation (ft)	Outflow (ft <sup>3</sup> /s)	Storage (ft <sup>3</sup> )	Area (ft <sup>2</sup> )	Infiltration (ft <sup>3</sup> /s)	Flow (Total) (ft <sup>3</sup> /s)	2S/t + O (ft <sup>3</sup> /s)
495.30	121.78	865,474.824	75,791.40	0.00	121.78	28,970.94
495.35	125.38	869,268.670	75,962.48	0.00	125.38	29,101.01
495.40	128.97	873,071.075	76,133.74	0.00	128.97	29,231.34
495.45	132.57	876,882.048	76,305.20	0.00	132.57	29,361.97
495.50	136.16	880,701.599	76,476.86	0.00	136.16	29,492.88
495.55	139.72	884,529.737	76,648.70	0.00	139.72	29,624.05
495.60	143.24	888,366.472	76,820.74	0.00	143.24	29,755.46
495.65	146.71	892,211.814	76,992.98	0.00	146.71	29,887.10
495.70	150.08	896,065.773	77,165.40	0.00	150.08	30,018.94
495.75	153.39	899,928.358	77,338.02	0.00	153.39	30,151.00
495.80	156.59	903,799.578	77,510.83	0.00	156.59	30,283.24
495.85	157.78	907,679.444	77,683.83	0.00	157.78	30,413.76
495.90	158.94	911,567.964	77,857.03	0.00	158.94	30,544.54
495.95	160.04	915,465.150	78,030.42	0.00	160.04	30,675.54
496.00	161.13	919,371.009	78,204.00	0.00	161.13	30,806.83
496.05	162.20	923,285.496	78,375.52	0.00	162.20	30,938.39
496.10	163.22	927,208.564	78,547.22	0.00	163.22	31,070.18
496.15	164.24	931,140.221	78,719.11	0.00	164.24	31,202.24
496.20	165.23	935,080.478	78,891.19	0.00	165.23	31,334.58
496.25	166.18	939,029.343	79,063.45	0.00	166.18	31,467.16
496.30	167.09	942,986.827	79,235.91	0.00	167.09	31,599.99
496.35	168.01	946,952.937	79,408.55	0.00	168.01	31,733.11
496.40	168.92	950,927.685	79,581.38	0.00	168.92	31,866.50
496.45	169.72	954,911.079	79,754.40	0.00	169.72	32,000.09
496.50	170.56	958,903.128	79,927.61	0.00	170.56	32,134.00
496.55	171.35	962,903.842	80,101.00	0.00	171.35	32,268.15
496.60	172.12	966,913.231	80,274.58	0.00	172.12	32,402.56
496.65	172.86	970,931.304	80,448.35	0.00	172.86	32,537.24
496.70	173.53	974,958.069	80,622.31	0.00	173.53	32,672.14
496.75	174.21	978,993.538	80,796.45	0.00	174.21	32,807.33
496.80	174.88	983,037.718	80,970.79	0.00	174.88	32,942.81
496.85	175.45	987,090.620	81,145.31	0.00	175.45	33,078.48
496.90	176.09	991,152.252	81,320.02	0.00	176.09	33,214.50
496.95	176.60	995,222.625	81,494.92	0.00	176.60	33,350.69
497.00	177.14	999,301.747	81,670.00	0.00	177.14	33,487.20

Subsection: Elevation-Volume-Flow Table (Pond)  
 Label: Basin

Return Event: 25 years  
 Storm Event:

Infiltration	
Infiltration Method (Computed)	No Infiltration

---

Initial Conditions	
Elevation (Water Surface, Initial)	488.50 ft
Volume (Initial)	425,250.000 ft <sup>3</sup>
Flow (Initial Outlet)	0.00 ft <sup>3</sup> /s
Flow (Initial Infiltration)	0.00 ft <sup>3</sup> /s
Flow (Initial, Total)	0.00 ft <sup>3</sup> /s
Time Increment	1 min

Elevation (ft)	Outflow (ft <sup>3</sup> /s)	Storage (ft <sup>3</sup> )	Area (ft <sup>2</sup> )	Infiltration (ft <sup>3</sup> /s)	Flow (Total) (ft <sup>3</sup> /s)	2S/t + O (ft <sup>3</sup> /s)
478.00	0.00	0.000	28,132.00	0.00	0.00	0.00
478.05	0.00	1,409.216	28,236.65	0.00	0.00	46.97
478.10	0.00	2,823.669	28,341.50	0.00	0.00	94.12
478.15	0.00	4,243.369	28,446.55	0.00	0.00	141.45
478.20	0.00	5,668.326	28,551.78	0.00	0.00	188.94
478.25	0.00	7,098.551	28,657.21	0.00	0.00	236.62
478.30	0.00	8,534.051	28,762.84	0.00	0.00	284.47
478.35	0.00	9,974.838	28,868.66	0.00	0.00	332.49
478.40	0.00	11,420.920	28,974.67	0.00	0.00	380.70
478.45	0.00	12,872.308	29,080.88	0.00	0.00	429.08
478.50	0.00	14,329.012	29,187.28	0.00	0.00	477.63
478.55	0.00	15,791.040	29,293.88	0.00	0.00	526.37
478.60	0.00	17,258.403	29,400.67	0.00	0.00	575.28
478.65	0.00	18,731.111	29,507.66	0.00	0.00	624.37
478.70	0.00	20,209.172	29,614.84	0.00	0.00	673.64
478.75	0.00	21,692.598	29,722.21	0.00	0.00	723.09
478.80	0.00	23,181.397	29,829.78	0.00	0.00	772.71
478.85	0.00	24,675.579	29,937.55	0.00	0.00	822.52
478.90	0.00	26,175.155	30,045.50	0.00	0.00	872.51
478.95	0.00	27,680.133	30,153.65	0.00	0.00	922.67
479.00	0.00	29,190.523	30,262.00	0.00	0.00	973.02
479.05	0.00	30,706.331	30,370.36	0.00	0.00	1,023.54
479.10	0.00	32,227.563	30,478.91	0.00	0.00	1,074.25
479.15	0.00	33,754.226	30,587.66	0.00	0.00	1,125.14
479.20	0.00	35,286.332	30,696.60	0.00	0.00	1,176.21
479.25	0.00	36,823.890	30,805.74	0.00	0.00	1,227.46
479.30	0.00	38,366.909	30,915.07	0.00	0.00	1,278.90
479.35	0.00	39,915.400	31,024.59	0.00	0.00	1,330.51
479.40	0.00	41,469.371	31,134.30	0.00	0.00	1,382.31
479.45	0.00	43,028.833	31,244.21	0.00	0.00	1,434.29
479.50	0.00	44,593.796	31,354.32	0.00	0.00	1,486.46

Subsection: Elevation-Volume-Flow Table (Pond)  
 Label: Basin

Return Event: 25 years  
 Storm Event:

Elevation (ft)	Outflow (ft <sup>3</sup> /s)	Storage (ft <sup>3</sup> )	Area (ft <sup>2</sup> )	Infiltration (ft <sup>3</sup> /s)	Flow (Total) (ft <sup>3</sup> /s)	2S/t + O (ft <sup>3</sup> /s)
479.55	0.00	46,164.268	31,464.61	0.00	0.00	1,538.81
479.60	0.00	47,740.260	31,575.10	0.00	0.00	1,591.34
479.65	0.00	49,321.782	31,685.79	0.00	0.00	1,644.06
479.70	0.00	50,908.842	31,796.67	0.00	0.00	1,696.96
479.75	0.00	52,501.452	31,907.74	0.00	0.00	1,750.05
479.80	0.00	54,099.619	32,019.00	0.00	0.00	1,803.32
479.85	0.00	55,703.355	32,130.46	0.00	0.00	1,856.78
479.90	0.00	57,312.669	32,242.11	0.00	0.00	1,910.42
479.95	0.00	58,927.570	32,353.96	0.00	0.00	1,964.25
480.00	0.00	60,548.068	32,466.00	0.00	0.00	2,018.27
480.05	0.00	62,174.176	32,578.36	0.00	0.00	2,072.47
480.10	0.00	63,805.907	32,690.91	0.00	0.00	2,126.86
480.15	0.00	65,443.270	32,803.65	0.00	0.00	2,181.44
480.20	0.00	67,086.275	32,916.59	0.00	0.00	2,236.21
480.25	0.00	68,734.932	33,029.72	0.00	0.00	2,291.16
480.30	0.00	70,389.251	33,143.05	0.00	0.00	2,346.31
480.35	0.00	72,049.240	33,256.57	0.00	0.00	2,401.64
480.40	0.00	73,714.911	33,370.28	0.00	0.00	2,457.16
480.45	0.00	75,386.272	33,484.19	0.00	0.00	2,512.88
480.50	0.00	77,063.333	33,598.30	0.00	0.00	2,568.78
480.55	0.00	78,746.105	33,712.59	0.00	0.00	2,624.87
480.60	0.00	80,434.596	33,827.08	0.00	0.00	2,681.15
480.65	0.00	82,128.816	33,941.77	0.00	0.00	2,737.63
480.70	0.00	83,828.776	34,056.65	0.00	0.00	2,794.29
480.75	0.00	85,534.484	34,171.72	0.00	0.00	2,851.15
480.80	0.00	87,245.951	34,286.99	0.00	0.00	2,908.20
480.85	0.00	88,963.187	34,402.45	0.00	0.00	2,965.44
480.90	0.00	90,686.200	34,518.11	0.00	0.00	3,022.87
480.95	0.00	92,415.001	34,633.96	0.00	0.00	3,080.50
481.00	0.00	94,149.599	34,750.00	0.00	0.00	3,138.32
481.05	0.00	95,889.987	34,865.58	0.00	0.00	3,196.33
481.10	0.00	97,636.160	34,981.35	0.00	0.00	3,254.54
481.15	0.00	99,388.125	35,097.31	0.00	0.00	3,312.94
481.20	0.00	101,145.893	35,213.46	0.00	0.00	3,371.53
481.25	0.00	102,909.474	35,329.80	0.00	0.00	3,430.32
481.30	0.00	104,678.877	35,446.34	0.00	0.00	3,489.30
481.35	0.00	106,454.112	35,563.07	0.00	0.00	3,548.47
481.40	0.00	108,235.187	35,679.99	0.00	0.00	3,607.84
481.45	0.00	110,022.114	35,797.10	0.00	0.00	3,667.40
481.50	0.00	111,814.901	35,914.41	0.00	0.00	3,727.16
481.55	0.00	113,613.557	36,031.90	0.00	0.00	3,787.12
481.60	0.00	115,418.094	36,149.59	0.00	0.00	3,847.27
481.65	0.00	117,228.520	36,267.47	0.00	0.00	3,907.62
481.70	0.00	119,044.844	36,385.54	0.00	0.00	3,968.16
481.75	0.00	120,867.077	36,503.80	0.00	0.00	4,028.90

Subsection: Elevation-Volume-Flow Table (Pond)  
 Label: Basin

Return Event: 25 years  
 Storm Event:

Elevation (ft)	Outflow (ft <sup>3</sup> /s)	Storage (ft <sup>3</sup> )	Area (ft <sup>2</sup> )	Infiltration (ft <sup>3</sup> /s)	Flow (Total) (ft <sup>3</sup> /s)	2S/t + O (ft <sup>3</sup> /s)
481.80	0.00	122,695.228	36,622.26	0.00	0.00	4,089.84
481.85	0.00	124,529.306	36,740.91	0.00	0.00	4,150.98
481.90	0.00	126,369.322	36,859.75	0.00	0.00	4,212.31
481.95	0.00	128,215.284	36,978.78	0.00	0.00	4,273.84
482.00	0.00	130,067.203	37,098.00	0.00	0.00	4,335.57
482.05	0.00	131,925.093	37,217.67	0.00	0.00	4,397.50
482.10	0.00	133,788.973	37,337.53	0.00	0.00	4,459.63
482.15	0.00	135,658.850	37,457.59	0.00	0.00	4,521.96
482.20	0.00	137,534.734	37,577.83	0.00	0.00	4,584.49
482.25	0.00	139,416.636	37,698.27	0.00	0.00	4,647.22
482.30	0.00	141,304.565	37,818.91	0.00	0.00	4,710.15
482.35	0.00	143,198.530	37,939.73	0.00	0.00	4,773.28
482.40	0.00	145,098.541	38,060.75	0.00	0.00	4,836.62
482.45	0.00	147,004.608	38,181.96	0.00	0.00	4,900.15
482.50	0.00	148,916.741	38,303.36	0.00	0.00	4,963.89
482.55	0.00	150,834.948	38,424.96	0.00	0.00	5,027.83
482.60	0.00	152,759.240	38,546.75	0.00	0.00	5,091.97
482.65	0.00	154,689.626	38,668.73	0.00	0.00	5,156.32
482.70	0.00	156,626.117	38,790.91	0.00	0.00	5,220.87
482.75	0.00	158,568.720	38,913.27	0.00	0.00	5,285.62
482.80	0.00	160,517.447	39,035.83	0.00	0.00	5,350.58
482.85	0.00	162,472.307	39,158.59	0.00	0.00	5,415.74
482.90	0.00	164,433.309	39,281.53	0.00	0.00	5,481.11
482.95	0.00	166,400.463	39,404.67	0.00	0.00	5,546.68
483.00	0.00	168,373.779	39,528.00	0.00	0.00	5,612.46
483.05	0.00	170,353.266	39,651.52	0.00	0.00	5,678.44
483.10	0.00	172,338.934	39,775.23	0.00	0.00	5,744.63
483.15	0.00	174,330.793	39,899.14	0.00	0.00	5,811.03
483.20	0.00	176,328.851	40,023.23	0.00	0.00	5,877.63
483.25	0.00	178,333.119	40,147.52	0.00	0.00	5,944.44
483.30	0.00	180,343.607	40,272.01	0.00	0.00	6,011.45
483.35	0.00	182,360.323	40,396.68	0.00	0.00	6,078.68
483.40	0.00	184,383.278	40,521.55	0.00	0.00	6,146.11
483.45	0.00	186,412.481	40,646.61	0.00	0.00	6,213.75
483.50	0.00	188,447.943	40,771.87	0.00	0.00	6,281.60
483.55	0.00	190,489.671	40,897.31	0.00	0.00	6,349.66
483.60	0.00	192,537.677	41,022.95	0.00	0.00	6,417.92
483.65	0.00	194,591.970	41,148.78	0.00	0.00	6,486.40
483.70	0.00	196,652.558	41,274.81	0.00	0.00	6,555.09
483.75	0.00	198,719.453	41,401.02	0.00	0.00	6,623.98
483.80	0.00	200,792.664	41,527.43	0.00	0.00	6,693.09
483.85	0.00	202,872.200	41,654.04	0.00	0.00	6,762.41
483.90	0.00	204,958.071	41,780.83	0.00	0.00	6,831.94
483.95	0.00	207,050.286	41,907.82	0.00	0.00	6,901.68
484.00	0.00	209,148.856	42,035.00	0.00	0.00	6,971.63

Subsection: Elevation-Volume-Flow Table (Pond)  
 Label: Basin

Return Event: 25 years  
 Storm Event:

Elevation (ft)	Outflow (ft <sup>3</sup> /s)	Storage (ft <sup>3</sup> )	Area (ft <sup>2</sup> )	Infiltration (ft <sup>3</sup> /s)	Flow (Total) (ft <sup>3</sup> /s)	2S/t + O (ft <sup>3</sup> /s)
484.05	0.00	211,253.790	42,162.37	0.00	0.00	7,041.79
484.10	0.00	213,365.096	42,289.93	0.00	0.00	7,112.17
484.15	0.00	215,482.786	42,417.69	0.00	0.00	7,182.76
484.20	0.00	217,606.868	42,545.63	0.00	0.00	7,253.56
484.25	0.00	219,737.353	42,673.77	0.00	0.00	7,324.58
484.30	0.00	221,874.249	42,802.11	0.00	0.00	7,395.81
484.35	0.00	224,017.567	42,930.63	0.00	0.00	7,467.25
484.40	0.00	226,167.315	43,059.35	0.00	0.00	7,538.91
484.45	0.00	228,323.505	43,188.26	0.00	0.00	7,610.78
484.50	0.00	230,486.145	43,317.37	0.00	0.00	7,682.87
484.55	0.00	232,655.245	43,446.66	0.00	0.00	7,755.17
484.60	0.00	234,830.814	43,576.15	0.00	0.00	7,827.69
484.65	0.00	237,012.863	43,705.83	0.00	0.00	7,900.43
484.70	0.00	239,201.401	43,835.71	0.00	0.00	7,973.38
484.75	0.00	241,396.437	43,965.77	0.00	0.00	8,046.55
484.80	0.00	243,597.981	44,096.03	0.00	0.00	8,119.93
484.85	0.00	245,806.044	44,226.49	0.00	0.00	8,193.53
484.90	0.00	248,020.633	44,357.13	0.00	0.00	8,267.35
484.95	0.00	250,241.760	44,487.97	0.00	0.00	8,341.39
485.00	0.00	252,469.434	44,619.00	0.00	0.00	8,415.65
485.05	0.00	254,703.661	44,750.12	0.00	0.00	8,490.12
485.10	0.00	256,944.449	44,881.44	0.00	0.00	8,564.81
485.15	0.00	259,191.808	45,012.94	0.00	0.00	8,639.73
485.20	0.00	261,445.747	45,144.64	0.00	0.00	8,714.86
485.25	0.00	263,706.275	45,276.54	0.00	0.00	8,790.21
485.30	0.00	265,973.403	45,408.62	0.00	0.00	8,865.78
485.35	0.00	268,247.140	45,540.90	0.00	0.00	8,941.57
485.40	0.00	270,527.496	45,673.37	0.00	0.00	9,017.58
485.45	0.00	272,814.480	45,806.03	0.00	0.00	9,093.82
485.50	0.00	275,108.102	45,938.88	0.00	0.00	9,170.27
485.55	0.00	277,408.372	46,071.93	0.00	0.00	9,246.95
485.60	0.00	279,715.298	46,205.17	0.00	0.00	9,323.84
485.65	0.00	282,028.891	46,338.60	0.00	0.00	9,400.96
485.70	0.00	284,349.161	46,472.22	0.00	0.00	9,478.31
485.75	0.00	286,676.117	46,606.04	0.00	0.00	9,555.87
485.80	0.00	289,009.768	46,740.04	0.00	0.00	9,633.66
485.85	0.00	291,350.124	46,874.24	0.00	0.00	9,711.67
485.90	0.00	293,697.195	47,008.64	0.00	0.00	9,789.91
485.95	0.00	296,050.991	47,143.22	0.00	0.00	9,868.37
486.00	0.00	298,411.521	47,278.00	0.00	0.00	9,947.05
486.05	0.00	300,778.799	47,413.17	0.00	0.00	10,025.96
486.10	0.00	303,152.841	47,548.53	0.00	0.00	10,105.09
486.15	0.00	305,533.655	47,684.08	0.00	0.00	10,184.46
486.20	0.00	307,921.252	47,819.83	0.00	0.00	10,264.04
486.25	0.00	310,315.641	47,955.76	0.00	0.00	10,343.85

Subsection: Elevation-Volume-Flow Table (Pond)  
 Label: Basin

Return Event: 25 years  
 Storm Event:

Elevation (ft)	Outflow (ft <sup>3</sup> /s)	Storage (ft <sup>3</sup> )	Area (ft <sup>2</sup> )	Infiltration (ft <sup>3</sup> /s)	Flow (Total) (ft <sup>3</sup> /s)	2S/t + O (ft <sup>3</sup> /s)
486.30	0.00	312,716.832	48,091.90	0.00	0.00	10,423.89
486.35	0.00	315,124.834	48,228.22	0.00	0.00	10,504.16
486.40	0.00	317,539.657	48,364.74	0.00	0.00	10,584.66
486.45	0.00	319,961.311	48,501.45	0.00	0.00	10,665.38
486.50	0.00	322,389.805	48,638.35	0.00	0.00	10,746.33
486.55	0.00	324,825.149	48,775.45	0.00	0.00	10,827.50
486.60	0.00	327,267.353	48,912.74	0.00	0.00	10,908.91
486.65	0.00	329,716.426	49,050.22	0.00	0.00	10,990.55
486.70	0.00	332,172.378	49,187.90	0.00	0.00	11,072.41
486.75	0.00	334,635.219	49,325.76	0.00	0.00	11,154.51
486.80	0.00	337,104.958	49,463.83	0.00	0.00	11,236.83
486.85	0.00	339,581.605	49,602.08	0.00	0.00	11,319.39
486.90	0.00	342,065.169	49,740.53	0.00	0.00	11,402.17
486.95	0.00	344,555.661	49,879.17	0.00	0.00	11,485.19
487.00	0.00	347,053.089	50,018.00	0.00	0.00	11,568.44
487.05	0.00	349,557.465	50,157.07	0.00	0.00	11,651.92
487.10	0.00	352,068.799	50,296.32	0.00	0.00	11,735.63
487.15	0.00	354,587.101	50,435.78	0.00	0.00	11,819.57
487.20	0.00	357,112.380	50,575.42	0.00	0.00	11,903.75
487.25	0.00	359,644.646	50,715.26	0.00	0.00	11,988.15
487.30	0.00	362,183.909	50,855.29	0.00	0.00	12,072.80
487.35	0.00	364,730.179	50,995.52	0.00	0.00	12,157.67
487.40	0.00	367,283.464	51,135.93	0.00	0.00	12,242.78
487.45	0.00	369,843.775	51,276.54	0.00	0.00	12,328.13
487.50	0.00	372,411.122	51,417.35	0.00	0.00	12,413.70
487.55	0.00	374,985.513	51,558.34	0.00	0.00	12,499.52
487.60	0.00	377,566.959	51,699.53	0.00	0.00	12,585.57
487.65	0.00	380,155.470	51,840.92	0.00	0.00	12,671.85
487.70	0.00	382,751.054	51,982.49	0.00	0.00	12,758.37
487.75	0.00	385,353.722	52,124.26	0.00	0.00	12,845.12
487.80	0.00	387,963.483	52,266.22	0.00	0.00	12,932.12
487.85	0.00	390,580.348	52,408.38	0.00	0.00	13,019.34
487.90	0.00	393,204.324	52,550.72	0.00	0.00	13,106.81
487.95	0.00	395,835.423	52,693.27	0.00	0.00	13,194.51
488.00	0.00	398,473.654	52,836.00	0.00	0.00	13,282.46
488.05	0.00	401,119.027	52,978.96	0.00	0.00	13,370.63
488.10	0.00	403,771.554	53,122.12	0.00	0.00	13,459.05
488.15	0.00	406,431.243	53,265.47	0.00	0.00	13,547.71
488.20	0.00	409,098.104	53,409.02	0.00	0.00	13,636.60
488.25	0.00	411,772.148	53,552.76	0.00	0.00	13,725.74
488.30	0.00	414,453.383	53,696.69	0.00	0.00	13,815.11
488.35	0.00	417,141.820	53,840.81	0.00	0.00	13,904.73
488.40	0.00	419,837.468	53,985.13	0.00	0.00	13,994.58
488.45	0.00	422,540.336	54,129.64	0.00	0.00	14,084.68
488.50	0.00	425,250.435	54,274.34	0.00	0.00	14,175.01

Subsection: Elevation-Volume-Flow Table (Pond)  
 Label: Basin

Return Event: 25 years  
 Storm Event:

Elevation (ft)	Outflow (ft <sup>3</sup> /s)	Storage (ft <sup>3</sup> )	Area (ft <sup>2</sup> )	Infiltration (ft <sup>3</sup> /s)	Flow (Total) (ft <sup>3</sup> /s)	2S/t + O (ft <sup>3</sup> /s)
488.55	0.07	427,967.774	54,419.24	0.00	0.07	14,265.66
488.60	0.19	430,692.362	54,564.33	0.00	0.19	14,356.60
488.65	0.35	433,424.210	54,709.61	0.00	0.35	14,447.82
488.70	0.54	436,163.326	54,855.09	0.00	0.54	14,539.32
488.75	0.75	438,909.722	55,000.76	0.00	0.75	14,631.07
488.80	0.99	441,663.405	55,146.62	0.00	0.99	14,723.10
488.85	1.24	444,424.387	55,292.67	0.00	1.24	14,815.39
488.90	1.52	447,192.676	55,438.92	0.00	1.52	14,907.94
488.95	1.81	449,968.282	55,585.36	0.00	1.81	15,000.75
489.00	2.12	452,751.215	55,732.00	0.00	2.12	15,093.83
489.05	2.45	455,541.492	55,879.11	0.00	2.45	15,187.16
489.10	2.79	458,339.130	56,026.41	0.00	2.79	15,280.76
489.15	3.14	461,144.137	56,173.91	0.00	3.14	15,374.62
489.20	3.51	463,956.523	56,321.60	0.00	3.51	15,468.73
489.25	3.90	466,776.299	56,469.48	0.00	3.90	15,563.11
489.30	4.29	469,603.474	56,617.56	0.00	4.29	15,657.74
489.35	4.70	472,438.058	56,765.83	0.00	4.70	15,752.63
489.40	5.12	475,280.060	56,914.29	0.00	5.12	15,847.79
489.45	5.56	478,129.491	57,062.95	0.00	5.56	15,943.21
489.50	6.00	480,986.359	57,211.81	0.00	6.00	16,038.88
489.55	6.45	483,850.675	57,360.85	0.00	6.45	16,134.81
489.60	6.92	486,722.447	57,510.09	0.00	6.92	16,231.00
489.65	7.40	489,601.687	57,659.53	0.00	7.40	16,327.46
489.70	7.89	492,488.403	57,809.16	0.00	7.89	16,424.17
489.75	8.39	495,382.606	57,958.98	0.00	8.39	16,521.14
489.80	8.89	498,284.305	58,109.00	0.00	8.89	16,618.37
489.85	9.41	501,193.509	58,259.21	0.00	9.41	16,715.86
489.90	9.94	504,110.228	58,409.61	0.00	9.94	16,813.61
489.95	10.48	507,034.473	58,560.21	0.00	10.48	16,911.63
490.00	11.02	509,966.252	58,711.00	0.00	11.02	17,009.90
490.05	11.58	512,905.578	58,862.06	0.00	11.58	17,108.43
490.10	12.14	515,852.461	59,013.31	0.00	12.14	17,207.23
490.15	12.72	518,806.912	59,164.75	0.00	12.72	17,306.28
490.20	13.30	521,768.940	59,316.39	0.00	13.30	17,405.60
490.25	13.89	524,738.554	59,468.22	0.00	13.89	17,505.18
490.30	14.49	527,715.765	59,620.25	0.00	14.49	17,605.02
490.35	15.09	530,700.582	59,772.47	0.00	15.09	17,705.11
490.40	15.71	533,693.015	59,924.88	0.00	15.71	17,805.48
490.45	16.33	536,693.074	60,077.49	0.00	16.33	17,906.10
490.50	19.27	539,700.768	60,230.30	0.00	19.27	18,009.29
490.55	19.75	542,716.107	60,383.29	0.00	19.75	18,110.28
490.60	20.18	545,739.100	60,536.48	0.00	20.18	18,211.48
490.65	20.66	548,769.758	60,689.87	0.00	20.66	18,312.98
490.70	21.10	551,808.091	60,843.45	0.00	21.10	18,414.70
490.75	21.53	554,854.106	60,997.22	0.00	21.53	18,516.67



Subsection: Elevation-Volume-Flow Table (Pond)  
 Label: Basin

Return Event: 25 years  
 Storm Event:

Elevation (ft)	Outflow (ft <sup>3</sup> /s)	Storage (ft <sup>3</sup> )	Area (ft <sup>2</sup> )	Infiltration (ft <sup>3</sup> /s)	Flow (Total) (ft <sup>3</sup> /s)	2S/t + O (ft <sup>3</sup> /s)
490.80	21.97	557,907.816	61,151.19	0.00	21.97	18,618.90
490.85	22.36	560,969.229	61,305.35	0.00	22.36	18,721.34
490.90	22.78	564,038.354	61,459.71	0.00	22.78	18,824.06
490.95	23.20	567,115.203	61,614.26	0.00	23.20	18,927.04
491.00	23.60	570,199.783	61,769.00	0.00	23.60	19,030.26
491.05	23.97	573,292.109	61,924.05	0.00	23.97	19,133.71
491.10	24.35	576,392.192	62,079.30	0.00	24.35	19,237.42
491.15	24.75	579,500.042	62,234.74	0.00	24.75	19,341.42
491.20	25.10	582,615.669	62,390.38	0.00	25.10	19,445.62
491.25	25.45	585,739.083	62,546.21	0.00	25.45	19,550.09
491.30	25.83	588,870.294	62,702.24	0.00	25.83	19,654.84
491.35	26.18	592,009.310	62,858.46	0.00	26.18	19,759.83
491.40	26.54	595,156.143	63,014.87	0.00	26.54	19,865.08
491.45	26.87	598,310.801	63,171.48	0.00	26.87	19,970.56
491.50	27.24	601,473.294	63,328.28	0.00	27.24	20,076.35
491.55	27.56	604,643.632	63,485.28	0.00	27.56	20,182.35
491.60	27.90	607,821.825	63,642.47	0.00	27.90	20,288.63
491.65	28.21	611,007.882	63,799.86	0.00	28.21	20,395.14
491.70	28.55	614,201.814	63,957.44	0.00	28.55	20,501.94
491.75	28.89	617,403.629	64,115.21	0.00	28.89	20,609.01
491.80	29.20	620,613.338	64,273.18	0.00	29.20	20,716.31
491.85	29.52	623,830.950	64,431.34	0.00	29.52	20,823.89
491.90	29.83	627,056.476	64,589.70	0.00	29.83	20,931.72
491.95	30.15	630,289.924	64,748.25	0.00	30.15	21,039.81
492.00	30.44	633,531.304	64,907.00	0.00	30.44	21,148.15
492.05	30.75	636,780.630	65,066.05	0.00	30.75	21,256.77
492.10	31.05	640,037.913	65,225.30	0.00	31.05	21,365.65
492.15	31.32	643,303.163	65,384.74	0.00	31.32	21,474.76
492.20	31.63	646,576.390	65,544.37	0.00	31.63	21,584.18
492.25	31.93	649,857.603	65,704.20	0.00	31.93	21,693.85
492.30	32.23	653,146.813	65,864.23	0.00	32.23	21,803.79
492.35	32.50	656,444.029	66,024.44	0.00	32.50	21,913.97
492.40	32.76	659,749.261	66,184.86	0.00	32.76	22,024.41
492.45	33.07	663,062.518	66,345.47	0.00	33.07	22,135.15
492.50	33.33	666,383.810	66,506.27	0.00	33.33	22,246.13
492.55	33.64	669,713.148	66,667.27	0.00	33.64	22,357.41
492.60	33.89	673,050.540	66,828.46	0.00	33.89	22,468.91
492.65	34.16	676,395.997	66,989.84	0.00	34.16	22,580.70
492.70	34.43	679,749.528	67,151.43	0.00	34.43	22,692.75
492.75	34.71	683,111.143	67,313.20	0.00	34.71	22,805.08
492.80	34.96	686,480.851	67,475.17	0.00	34.96	22,917.65
492.85	35.23	689,858.663	67,637.34	0.00	35.23	23,030.52
492.90	35.49	693,244.588	67,799.70	0.00	35.49	23,143.64
492.95	35.76	696,638.636	67,962.25	0.00	35.76	23,257.04
493.00	36.02	700,040.817	68,125.00	0.00	36.02	23,370.71

Subsection: Elevation-Volume-Flow Table (Pond)  
 Label: Basin

Return Event: 25 years  
 Storm Event:

Elevation (ft)	Outflow (ft <sup>3</sup> /s)	Storage (ft <sup>3</sup> )	Area (ft <sup>2</sup> )	Infiltration (ft <sup>3</sup> /s)	Flow (Total) (ft <sup>3</sup> /s)	2S/t + O (ft <sup>3</sup> /s)
493.05	36.28	703,451.133	68,287.71	0.00	36.28	23,484.65
493.10	36.51	706,869.590	68,450.61	0.00	36.51	23,598.83
493.15	36.77	710,296.197	68,613.70	0.00	36.77	23,713.31
493.20	37.03	713,730.964	68,776.99	0.00	37.03	23,828.07
493.25	37.30	717,173.900	68,940.47	0.00	37.30	23,943.09
493.30	37.54	720,625.014	69,104.15	0.00	37.54	24,058.38
493.35	37.75	724,084.318	69,268.02	0.00	37.75	24,173.90
493.40	38.02	727,551.819	69,432.08	0.00	38.02	24,289.74
493.45	38.28	731,027.529	69,596.34	0.00	38.28	24,405.86
493.50	38.51	734,511.457	69,760.80	0.00	38.51	24,522.22
493.55	38.73	738,003.612	69,925.44	0.00	38.73	24,638.85
493.60	39.00	741,504.005	70,090.28	0.00	39.00	24,755.80
493.65	39.22	745,012.644	70,255.32	0.00	39.22	24,872.98
493.70	39.46	748,529.540	70,420.55	0.00	39.46	24,990.45
493.75	39.67	752,054.702	70,585.97	0.00	39.67	25,108.16
493.80	39.93	755,588.140	70,751.59	0.00	39.93	25,226.20
493.85	40.16	759,129.864	70,917.40	0.00	40.16	25,344.49
493.90	40.38	762,679.884	71,083.41	0.00	40.38	25,463.05
493.95	40.61	766,238.208	71,249.61	0.00	40.61	25,581.88
494.00	40.83	769,804.848	71,416.00	0.00	40.83	25,700.99
494.05	41.69	773,379.792	71,581.82	0.00	41.69	25,821.02
494.10	43.09	776,963.033	71,747.84	0.00	43.09	25,941.86
494.15	44.77	780,554.579	71,914.05	0.00	44.77	26,063.25
494.20	46.78	784,154.441	72,080.45	0.00	46.78	26,185.26
494.25	48.98	787,762.627	72,247.04	0.00	48.98	26,307.73
494.30	51.43	791,379.148	72,413.82	0.00	51.43	26,430.74
494.35	54.03	795,004.013	72,580.80	0.00	54.03	26,554.16
494.40	56.85	798,637.231	72,747.97	0.00	56.85	26,678.09
494.45	59.82	802,278.813	72,915.33	0.00	59.82	26,802.45
494.50	62.95	805,928.768	73,082.89	0.00	62.95	26,927.25
494.55	66.21	809,587.105	73,250.63	0.00	66.21	27,052.45
494.60	69.62	813,253.834	73,418.57	0.00	69.62	27,178.08
494.65	73.16	816,928.965	73,586.70	0.00	73.16	27,304.13
494.70	76.89	820,612.507	73,755.02	0.00	76.89	27,430.64
494.75	80.68	824,304.471	73,923.54	0.00	80.68	27,557.50
494.80	84.59	828,004.864	74,092.25	0.00	84.59	27,684.75
494.85	88.64	831,713.698	74,261.15	0.00	88.64	27,812.43
494.90	92.79	835,430.982	74,430.24	0.00	92.79	27,940.49
494.95	96.96	839,156.726	74,599.52	0.00	96.96	28,068.86
495.00	100.53	842,890.938	74,769.00	0.00	100.53	28,196.89
495.05	103.99	846,633.635	74,938.92	0.00	103.99	28,325.11
495.10	107.49	850,384.833	75,109.03	0.00	107.49	28,453.65
495.15	111.03	854,144.541	75,279.33	0.00	111.03	28,582.51
495.20	114.59	857,912.769	75,449.83	0.00	114.59	28,711.68
495.25	118.18	861,689.527	75,620.52	0.00	118.18	28,841.16

Subsection: Elevation-Volume-Flow Table (Pond)  
 Label: Basin

Return Event: 25 years  
 Storm Event:

Elevation (ft)	Outflow (ft <sup>3</sup> /s)	Storage (ft <sup>3</sup> )	Area (ft <sup>2</sup> )	Infiltration (ft <sup>3</sup> /s)	Flow (Total) (ft <sup>3</sup> /s)	2S/t + O (ft <sup>3</sup> /s)
495.30	121.78	865,474.824	75,791.40	0.00	121.78	28,970.94
495.35	125.38	869,268.670	75,962.48	0.00	125.38	29,101.01
495.40	128.97	873,071.075	76,133.74	0.00	128.97	29,231.34
495.45	132.57	876,882.048	76,305.20	0.00	132.57	29,361.97
495.50	136.16	880,701.599	76,476.86	0.00	136.16	29,492.88
495.55	139.72	884,529.737	76,648.70	0.00	139.72	29,624.05
495.60	143.24	888,366.472	76,820.74	0.00	143.24	29,755.46
495.65	146.71	892,211.814	76,992.98	0.00	146.71	29,887.10
495.70	150.08	896,065.773	77,165.40	0.00	150.08	30,018.94
495.75	153.39	899,928.358	77,338.02	0.00	153.39	30,151.00
495.80	156.59	903,799.578	77,510.83	0.00	156.59	30,283.24
495.85	157.78	907,679.444	77,683.83	0.00	157.78	30,413.76
495.90	158.94	911,567.964	77,857.03	0.00	158.94	30,544.54
495.95	160.04	915,465.150	78,030.42	0.00	160.04	30,675.54
496.00	161.13	919,371.009	78,204.00	0.00	161.13	30,806.83
496.05	162.20	923,285.496	78,375.52	0.00	162.20	30,938.39
496.10	163.22	927,208.564	78,547.22	0.00	163.22	31,070.18
496.15	164.24	931,140.221	78,719.11	0.00	164.24	31,202.24
496.20	165.23	935,080.478	78,891.19	0.00	165.23	31,334.58
496.25	166.18	939,029.343	79,063.45	0.00	166.18	31,467.16
496.30	167.09	942,986.827	79,235.91	0.00	167.09	31,599.99
496.35	168.01	946,952.937	79,408.55	0.00	168.01	31,733.11
496.40	168.92	950,927.685	79,581.38	0.00	168.92	31,866.50
496.45	169.72	954,911.079	79,754.40	0.00	169.72	32,000.09
496.50	170.56	958,903.128	79,927.61	0.00	170.56	32,134.00
496.55	171.35	962,903.842	80,101.00	0.00	171.35	32,268.15
496.60	172.12	966,913.231	80,274.58	0.00	172.12	32,402.56
496.65	172.86	970,931.304	80,448.35	0.00	172.86	32,537.24
496.70	173.53	974,958.069	80,622.31	0.00	173.53	32,672.14
496.75	174.21	978,993.538	80,796.45	0.00	174.21	32,807.33
496.80	174.88	983,037.718	80,970.79	0.00	174.88	32,942.81
496.85	175.45	987,090.620	81,145.31	0.00	175.45	33,078.48
496.90	176.09	991,152.252	81,320.02	0.00	176.09	33,214.50
496.95	176.60	995,222.625	81,494.92	0.00	176.60	33,350.69
497.00	177.14	999,301.747	81,670.00	0.00	177.14	33,487.20

Subsection: Elevation-Volume-Flow Table (Pond)  
 Label: Basin

Return Event: 100 years  
 Storm Event:

Infiltration	
Infiltration Method (Computed)	No Infiltration

---

Initial Conditions	
Elevation (Water Surface, Initial)	488.50 ft
Volume (Initial)	425,250.000 ft <sup>3</sup>
Flow (Initial Outlet)	0.00 ft <sup>3</sup> /s
Flow (Initial Infiltration)	0.00 ft <sup>3</sup> /s
Flow (Initial, Total)	0.00 ft <sup>3</sup> /s
Time Increment	1 min

Elevation (ft)	Outflow (ft <sup>3</sup> /s)	Storage (ft <sup>3</sup> )	Area (ft <sup>2</sup> )	Infiltration (ft <sup>3</sup> /s)	Flow (Total) (ft <sup>3</sup> /s)	2S/t + O (ft <sup>3</sup> /s)
478.00	0.00	0.000	28,132.00	0.00	0.00	0.00
478.05	0.00	1,409.216	28,236.65	0.00	0.00	46.97
478.10	0.00	2,823.669	28,341.50	0.00	0.00	94.12
478.15	0.00	4,243.369	28,446.55	0.00	0.00	141.45
478.20	0.00	5,668.326	28,551.78	0.00	0.00	188.94
478.25	0.00	7,098.551	28,657.21	0.00	0.00	236.62
478.30	0.00	8,534.051	28,762.84	0.00	0.00	284.47
478.35	0.00	9,974.838	28,868.66	0.00	0.00	332.49
478.40	0.00	11,420.920	28,974.67	0.00	0.00	380.70
478.45	0.00	12,872.308	29,080.88	0.00	0.00	429.08
478.50	0.00	14,329.012	29,187.28	0.00	0.00	477.63
478.55	0.00	15,791.040	29,293.88	0.00	0.00	526.37
478.60	0.00	17,258.403	29,400.67	0.00	0.00	575.28
478.65	0.00	18,731.111	29,507.66	0.00	0.00	624.37
478.70	0.00	20,209.172	29,614.84	0.00	0.00	673.64
478.75	0.00	21,692.598	29,722.21	0.00	0.00	723.09
478.80	0.00	23,181.397	29,829.78	0.00	0.00	772.71
478.85	0.00	24,675.579	29,937.55	0.00	0.00	822.52
478.90	0.00	26,175.155	30,045.50	0.00	0.00	872.51
478.95	0.00	27,680.133	30,153.65	0.00	0.00	922.67
479.00	0.00	29,190.523	30,262.00	0.00	0.00	973.02
479.05	0.00	30,706.331	30,370.36	0.00	0.00	1,023.54
479.10	0.00	32,227.563	30,478.91	0.00	0.00	1,074.25
479.15	0.00	33,754.226	30,587.66	0.00	0.00	1,125.14
479.20	0.00	35,286.332	30,696.60	0.00	0.00	1,176.21
479.25	0.00	36,823.890	30,805.74	0.00	0.00	1,227.46
479.30	0.00	38,366.909	30,915.07	0.00	0.00	1,278.90
479.35	0.00	39,915.400	31,024.59	0.00	0.00	1,330.51
479.40	0.00	41,469.371	31,134.30	0.00	0.00	1,382.31
479.45	0.00	43,028.833	31,244.21	0.00	0.00	1,434.29
479.50	0.00	44,593.796	31,354.32	0.00	0.00	1,486.46

Subsection: Elevation-Volume-Flow Table (Pond)  
 Label: Basin

Return Event: 100 years  
 Storm Event:

Elevation (ft)	Outflow (ft <sup>3</sup> /s)	Storage (ft <sup>3</sup> )	Area (ft <sup>2</sup> )	Infiltration (ft <sup>3</sup> /s)	Flow (Total) (ft <sup>3</sup> /s)	2S/t + O (ft <sup>3</sup> /s)
479.55	0.00	46,164.268	31,464.61	0.00	0.00	1,538.81
479.60	0.00	47,740.260	31,575.10	0.00	0.00	1,591.34
479.65	0.00	49,321.782	31,685.79	0.00	0.00	1,644.06
479.70	0.00	50,908.842	31,796.67	0.00	0.00	1,696.96
479.75	0.00	52,501.452	31,907.74	0.00	0.00	1,750.05
479.80	0.00	54,099.619	32,019.00	0.00	0.00	1,803.32
479.85	0.00	55,703.355	32,130.46	0.00	0.00	1,856.78
479.90	0.00	57,312.669	32,242.11	0.00	0.00	1,910.42
479.95	0.00	58,927.570	32,353.96	0.00	0.00	1,964.25
480.00	0.00	60,548.068	32,466.00	0.00	0.00	2,018.27
480.05	0.00	62,174.176	32,578.36	0.00	0.00	2,072.47
480.10	0.00	63,805.907	32,690.91	0.00	0.00	2,126.86
480.15	0.00	65,443.270	32,803.65	0.00	0.00	2,181.44
480.20	0.00	67,086.275	32,916.59	0.00	0.00	2,236.21
480.25	0.00	68,734.932	33,029.72	0.00	0.00	2,291.16
480.30	0.00	70,389.251	33,143.05	0.00	0.00	2,346.31
480.35	0.00	72,049.240	33,256.57	0.00	0.00	2,401.64
480.40	0.00	73,714.911	33,370.28	0.00	0.00	2,457.16
480.45	0.00	75,386.272	33,484.19	0.00	0.00	2,512.88
480.50	0.00	77,063.333	33,598.30	0.00	0.00	2,568.78
480.55	0.00	78,746.105	33,712.59	0.00	0.00	2,624.87
480.60	0.00	80,434.596	33,827.08	0.00	0.00	2,681.15
480.65	0.00	82,128.816	33,941.77	0.00	0.00	2,737.63
480.70	0.00	83,828.776	34,056.65	0.00	0.00	2,794.29
480.75	0.00	85,534.484	34,171.72	0.00	0.00	2,851.15
480.80	0.00	87,245.951	34,286.99	0.00	0.00	2,908.20
480.85	0.00	88,963.187	34,402.45	0.00	0.00	2,965.44
480.90	0.00	90,686.200	34,518.11	0.00	0.00	3,022.87
480.95	0.00	92,415.001	34,633.96	0.00	0.00	3,080.50
481.00	0.00	94,149.599	34,750.00	0.00	0.00	3,138.32
481.05	0.00	95,889.987	34,865.58	0.00	0.00	3,196.33
481.10	0.00	97,636.160	34,981.35	0.00	0.00	3,254.54
481.15	0.00	99,388.125	35,097.31	0.00	0.00	3,312.94
481.20	0.00	101,145.893	35,213.46	0.00	0.00	3,371.53
481.25	0.00	102,909.474	35,329.80	0.00	0.00	3,430.32
481.30	0.00	104,678.877	35,446.34	0.00	0.00	3,489.30
481.35	0.00	106,454.112	35,563.07	0.00	0.00	3,548.47
481.40	0.00	108,235.187	35,679.99	0.00	0.00	3,607.84
481.45	0.00	110,022.114	35,797.10	0.00	0.00	3,667.40
481.50	0.00	111,814.901	35,914.41	0.00	0.00	3,727.16
481.55	0.00	113,613.557	36,031.90	0.00	0.00	3,787.12
481.60	0.00	115,418.094	36,149.59	0.00	0.00	3,847.27
481.65	0.00	117,228.520	36,267.47	0.00	0.00	3,907.62
481.70	0.00	119,044.844	36,385.54	0.00	0.00	3,968.16
481.75	0.00	120,867.077	36,503.80	0.00	0.00	4,028.90

Subsection: Elevation-Volume-Flow Table (Pond)  
 Label: Basin

Return Event: 100 years  
 Storm Event:

Elevation (ft)	Outflow (ft <sup>3</sup> /s)	Storage (ft <sup>3</sup> )	Area (ft <sup>2</sup> )	Infiltration (ft <sup>3</sup> /s)	Flow (Total) (ft <sup>3</sup> /s)	2S/t + O (ft <sup>3</sup> /s)
481.80	0.00	122,695.228	36,622.26	0.00	0.00	4,089.84
481.85	0.00	124,529.306	36,740.91	0.00	0.00	4,150.98
481.90	0.00	126,369.322	36,859.75	0.00	0.00	4,212.31
481.95	0.00	128,215.284	36,978.78	0.00	0.00	4,273.84
482.00	0.00	130,067.203	37,098.00	0.00	0.00	4,335.57
482.05	0.00	131,925.093	37,217.67	0.00	0.00	4,397.50
482.10	0.00	133,788.973	37,337.53	0.00	0.00	4,459.63
482.15	0.00	135,658.850	37,457.59	0.00	0.00	4,521.96
482.20	0.00	137,534.734	37,577.83	0.00	0.00	4,584.49
482.25	0.00	139,416.636	37,698.27	0.00	0.00	4,647.22
482.30	0.00	141,304.565	37,818.91	0.00	0.00	4,710.15
482.35	0.00	143,198.530	37,939.73	0.00	0.00	4,773.28
482.40	0.00	145,098.541	38,060.75	0.00	0.00	4,836.62
482.45	0.00	147,004.608	38,181.96	0.00	0.00	4,900.15
482.50	0.00	148,916.741	38,303.36	0.00	0.00	4,963.89
482.55	0.00	150,834.948	38,424.96	0.00	0.00	5,027.83
482.60	0.00	152,759.240	38,546.75	0.00	0.00	5,091.97
482.65	0.00	154,689.626	38,668.73	0.00	0.00	5,156.32
482.70	0.00	156,626.117	38,790.91	0.00	0.00	5,220.87
482.75	0.00	158,568.720	38,913.27	0.00	0.00	5,285.62
482.80	0.00	160,517.447	39,035.83	0.00	0.00	5,350.58
482.85	0.00	162,472.307	39,158.59	0.00	0.00	5,415.74
482.90	0.00	164,433.309	39,281.53	0.00	0.00	5,481.11
482.95	0.00	166,400.463	39,404.67	0.00	0.00	5,546.68
483.00	0.00	168,373.779	39,528.00	0.00	0.00	5,612.46
483.05	0.00	170,353.266	39,651.52	0.00	0.00	5,678.44
483.10	0.00	172,338.934	39,775.23	0.00	0.00	5,744.63
483.15	0.00	174,330.793	39,899.14	0.00	0.00	5,811.03
483.20	0.00	176,328.851	40,023.23	0.00	0.00	5,877.63
483.25	0.00	178,333.119	40,147.52	0.00	0.00	5,944.44
483.30	0.00	180,343.607	40,272.01	0.00	0.00	6,011.45
483.35	0.00	182,360.323	40,396.68	0.00	0.00	6,078.68
483.40	0.00	184,383.278	40,521.55	0.00	0.00	6,146.11
483.45	0.00	186,412.481	40,646.61	0.00	0.00	6,213.75
483.50	0.00	188,447.943	40,771.87	0.00	0.00	6,281.60
483.55	0.00	190,489.671	40,897.31	0.00	0.00	6,349.66
483.60	0.00	192,537.677	41,022.95	0.00	0.00	6,417.92
483.65	0.00	194,591.970	41,148.78	0.00	0.00	6,486.40
483.70	0.00	196,652.558	41,274.81	0.00	0.00	6,555.09
483.75	0.00	198,719.453	41,401.02	0.00	0.00	6,623.98
483.80	0.00	200,792.664	41,527.43	0.00	0.00	6,693.09
483.85	0.00	202,872.200	41,654.04	0.00	0.00	6,762.41
483.90	0.00	204,958.071	41,780.83	0.00	0.00	6,831.94
483.95	0.00	207,050.286	41,907.82	0.00	0.00	6,901.68
484.00	0.00	209,148.856	42,035.00	0.00	0.00	6,971.63

Subsection: Elevation-Volume-Flow Table (Pond)  
 Label: Basin

Return Event: 100 years  
 Storm Event:

Elevation (ft)	Outflow (ft <sup>3</sup> /s)	Storage (ft <sup>3</sup> )	Area (ft <sup>2</sup> )	Infiltration (ft <sup>3</sup> /s)	Flow (Total) (ft <sup>3</sup> /s)	2S/t + O (ft <sup>3</sup> /s)
484.05	0.00	211,253.790	42,162.37	0.00	0.00	7,041.79
484.10	0.00	213,365.096	42,289.93	0.00	0.00	7,112.17
484.15	0.00	215,482.786	42,417.69	0.00	0.00	7,182.76
484.20	0.00	217,606.868	42,545.63	0.00	0.00	7,253.56
484.25	0.00	219,737.353	42,673.77	0.00	0.00	7,324.58
484.30	0.00	221,874.249	42,802.11	0.00	0.00	7,395.81
484.35	0.00	224,017.567	42,930.63	0.00	0.00	7,467.25
484.40	0.00	226,167.315	43,059.35	0.00	0.00	7,538.91
484.45	0.00	228,323.505	43,188.26	0.00	0.00	7,610.78
484.50	0.00	230,486.145	43,317.37	0.00	0.00	7,682.87
484.55	0.00	232,655.245	43,446.66	0.00	0.00	7,755.17
484.60	0.00	234,830.814	43,576.15	0.00	0.00	7,827.69
484.65	0.00	237,012.863	43,705.83	0.00	0.00	7,900.43
484.70	0.00	239,201.401	43,835.71	0.00	0.00	7,973.38
484.75	0.00	241,396.437	43,965.77	0.00	0.00	8,046.55
484.80	0.00	243,597.981	44,096.03	0.00	0.00	8,119.93
484.85	0.00	245,806.044	44,226.49	0.00	0.00	8,193.53
484.90	0.00	248,020.633	44,357.13	0.00	0.00	8,267.35
484.95	0.00	250,241.760	44,487.97	0.00	0.00	8,341.39
485.00	0.00	252,469.434	44,619.00	0.00	0.00	8,415.65
485.05	0.00	254,703.661	44,750.12	0.00	0.00	8,490.12
485.10	0.00	256,944.449	44,881.44	0.00	0.00	8,564.81
485.15	0.00	259,191.808	45,012.94	0.00	0.00	8,639.73
485.20	0.00	261,445.747	45,144.64	0.00	0.00	8,714.86
485.25	0.00	263,706.275	45,276.54	0.00	0.00	8,790.21
485.30	0.00	265,973.403	45,408.62	0.00	0.00	8,865.78
485.35	0.00	268,247.140	45,540.90	0.00	0.00	8,941.57
485.40	0.00	270,527.496	45,673.37	0.00	0.00	9,017.58
485.45	0.00	272,814.480	45,806.03	0.00	0.00	9,093.82
485.50	0.00	275,108.102	45,938.88	0.00	0.00	9,170.27
485.55	0.00	277,408.372	46,071.93	0.00	0.00	9,246.95
485.60	0.00	279,715.298	46,205.17	0.00	0.00	9,323.84
485.65	0.00	282,028.891	46,338.60	0.00	0.00	9,400.96
485.70	0.00	284,349.161	46,472.22	0.00	0.00	9,478.31
485.75	0.00	286,676.117	46,606.04	0.00	0.00	9,555.87
485.80	0.00	289,009.768	46,740.04	0.00	0.00	9,633.66
485.85	0.00	291,350.124	46,874.24	0.00	0.00	9,711.67
485.90	0.00	293,697.195	47,008.64	0.00	0.00	9,789.91
485.95	0.00	296,050.991	47,143.22	0.00	0.00	9,868.37
486.00	0.00	298,411.521	47,278.00	0.00	0.00	9,947.05
486.05	0.00	300,778.799	47,413.17	0.00	0.00	10,025.96
486.10	0.00	303,152.841	47,548.53	0.00	0.00	10,105.09
486.15	0.00	305,533.655	47,684.08	0.00	0.00	10,184.46
486.20	0.00	307,921.252	47,819.83	0.00	0.00	10,264.04
486.25	0.00	310,315.641	47,955.76	0.00	0.00	10,343.85

Subsection: Elevation-Volume-Flow Table (Pond)  
 Label: Basin

Return Event: 100 years  
 Storm Event:

Elevation (ft)	Outflow (ft <sup>3</sup> /s)	Storage (ft <sup>3</sup> )	Area (ft <sup>2</sup> )	Infiltration (ft <sup>3</sup> /s)	Flow (Total) (ft <sup>3</sup> /s)	2S/t + O (ft <sup>3</sup> /s)
486.30	0.00	312,716.832	48,091.90	0.00	0.00	10,423.89
486.35	0.00	315,124.834	48,228.22	0.00	0.00	10,504.16
486.40	0.00	317,539.657	48,364.74	0.00	0.00	10,584.66
486.45	0.00	319,961.311	48,501.45	0.00	0.00	10,665.38
486.50	0.00	322,389.805	48,638.35	0.00	0.00	10,746.33
486.55	0.00	324,825.149	48,775.45	0.00	0.00	10,827.50
486.60	0.00	327,267.353	48,912.74	0.00	0.00	10,908.91
486.65	0.00	329,716.426	49,050.22	0.00	0.00	10,990.55
486.70	0.00	332,172.378	49,187.90	0.00	0.00	11,072.41
486.75	0.00	334,635.219	49,325.76	0.00	0.00	11,154.51
486.80	0.00	337,104.958	49,463.83	0.00	0.00	11,236.83
486.85	0.00	339,581.605	49,602.08	0.00	0.00	11,319.39
486.90	0.00	342,065.169	49,740.53	0.00	0.00	11,402.17
486.95	0.00	344,555.661	49,879.17	0.00	0.00	11,485.19
487.00	0.00	347,053.089	50,018.00	0.00	0.00	11,568.44
487.05	0.00	349,557.465	50,157.07	0.00	0.00	11,651.92
487.10	0.00	352,068.799	50,296.32	0.00	0.00	11,735.63
487.15	0.00	354,587.101	50,435.78	0.00	0.00	11,819.57
487.20	0.00	357,112.380	50,575.42	0.00	0.00	11,903.75
487.25	0.00	359,644.646	50,715.26	0.00	0.00	11,988.15
487.30	0.00	362,183.909	50,855.29	0.00	0.00	12,072.80
487.35	0.00	364,730.179	50,995.52	0.00	0.00	12,157.67
487.40	0.00	367,283.464	51,135.93	0.00	0.00	12,242.78
487.45	0.00	369,843.775	51,276.54	0.00	0.00	12,328.13
487.50	0.00	372,411.122	51,417.35	0.00	0.00	12,413.70
487.55	0.00	374,985.513	51,558.34	0.00	0.00	12,499.52
487.60	0.00	377,566.959	51,699.53	0.00	0.00	12,585.57
487.65	0.00	380,155.470	51,840.92	0.00	0.00	12,671.85
487.70	0.00	382,751.054	51,982.49	0.00	0.00	12,758.37
487.75	0.00	385,353.722	52,124.26	0.00	0.00	12,845.12
487.80	0.00	387,963.483	52,266.22	0.00	0.00	12,932.12
487.85	0.00	390,580.348	52,408.38	0.00	0.00	13,019.34
487.90	0.00	393,204.324	52,550.72	0.00	0.00	13,106.81
487.95	0.00	395,835.423	52,693.27	0.00	0.00	13,194.51
488.00	0.00	398,473.654	52,836.00	0.00	0.00	13,282.46
488.05	0.00	401,119.027	52,978.96	0.00	0.00	13,370.63
488.10	0.00	403,771.554	53,122.12	0.00	0.00	13,459.05
488.15	0.00	406,431.243	53,265.47	0.00	0.00	13,547.71
488.20	0.00	409,098.104	53,409.02	0.00	0.00	13,636.60
488.25	0.00	411,772.148	53,552.76	0.00	0.00	13,725.74
488.30	0.00	414,453.383	53,696.69	0.00	0.00	13,815.11
488.35	0.00	417,141.820	53,840.81	0.00	0.00	13,904.73
488.40	0.00	419,837.468	53,985.13	0.00	0.00	13,994.58
488.45	0.00	422,540.336	54,129.64	0.00	0.00	14,084.68
488.50	0.00	425,250.435	54,274.34	0.00	0.00	14,175.01



Subsection: Elevation-Volume-Flow Table (Pond)  
 Label: Basin

Return Event: 100 years  
 Storm Event:

Elevation (ft)	Outflow (ft <sup>3</sup> /s)	Storage (ft <sup>3</sup> )	Area (ft <sup>2</sup> )	Infiltration (ft <sup>3</sup> /s)	Flow (Total) (ft <sup>3</sup> /s)	2S/t + O (ft <sup>3</sup> /s)
488.55	0.07	427,967.774	54,419.24	0.00	0.07	14,265.66
488.60	0.19	430,692.362	54,564.33	0.00	0.19	14,356.60
488.65	0.35	433,424.210	54,709.61	0.00	0.35	14,447.82
488.70	0.54	436,163.326	54,855.09	0.00	0.54	14,539.32
488.75	0.75	438,909.722	55,000.76	0.00	0.75	14,631.07
488.80	0.99	441,663.405	55,146.62	0.00	0.99	14,723.10
488.85	1.24	444,424.387	55,292.67	0.00	1.24	14,815.39
488.90	1.52	447,192.676	55,438.92	0.00	1.52	14,907.94
488.95	1.81	449,968.282	55,585.36	0.00	1.81	15,000.75
489.00	2.12	452,751.215	55,732.00	0.00	2.12	15,093.83
489.05	2.45	455,541.492	55,879.11	0.00	2.45	15,187.16
489.10	2.79	458,339.130	56,026.41	0.00	2.79	15,280.76
489.15	3.14	461,144.137	56,173.91	0.00	3.14	15,374.62
489.20	3.51	463,956.523	56,321.60	0.00	3.51	15,468.73
489.25	3.90	466,776.299	56,469.48	0.00	3.90	15,563.11
489.30	4.29	469,603.474	56,617.56	0.00	4.29	15,657.74
489.35	4.70	472,438.058	56,765.83	0.00	4.70	15,752.63
489.40	5.12	475,280.060	56,914.29	0.00	5.12	15,847.79
489.45	5.56	478,129.491	57,062.95	0.00	5.56	15,943.21
489.50	6.00	480,986.359	57,211.81	0.00	6.00	16,038.88
489.55	6.45	483,850.675	57,360.85	0.00	6.45	16,134.81
489.60	6.92	486,722.447	57,510.09	0.00	6.92	16,231.00
489.65	7.40	489,601.687	57,659.53	0.00	7.40	16,327.46
489.70	7.89	492,488.403	57,809.16	0.00	7.89	16,424.17
489.75	8.39	495,382.606	57,958.98	0.00	8.39	16,521.14
489.80	8.89	498,284.305	58,109.00	0.00	8.89	16,618.37
489.85	9.41	501,193.509	58,259.21	0.00	9.41	16,715.86
489.90	9.94	504,110.228	58,409.61	0.00	9.94	16,813.61
489.95	10.48	507,034.473	58,560.21	0.00	10.48	16,911.63
490.00	11.02	509,966.252	58,711.00	0.00	11.02	17,009.90
490.05	11.58	512,905.578	58,862.06	0.00	11.58	17,108.43
490.10	12.14	515,852.461	59,013.31	0.00	12.14	17,207.23
490.15	12.72	518,806.912	59,164.75	0.00	12.72	17,306.28
490.20	13.30	521,768.940	59,316.39	0.00	13.30	17,405.60
490.25	13.89	524,738.554	59,468.22	0.00	13.89	17,505.18
490.30	14.49	527,715.765	59,620.25	0.00	14.49	17,605.02
490.35	15.09	530,700.582	59,772.47	0.00	15.09	17,705.11
490.40	15.71	533,693.015	59,924.88	0.00	15.71	17,805.48
490.45	16.33	536,693.074	60,077.49	0.00	16.33	17,906.10
490.50	19.27	539,700.768	60,230.30	0.00	19.27	18,009.29
490.55	19.75	542,716.107	60,383.29	0.00	19.75	18,110.28
490.60	20.18	545,739.100	60,536.48	0.00	20.18	18,211.48
490.65	20.66	548,769.758	60,689.87	0.00	20.66	18,312.98
490.70	21.10	551,808.091	60,843.45	0.00	21.10	18,414.70
490.75	21.53	554,854.106	60,997.22	0.00	21.53	18,516.67

Subsection: Elevation-Volume-Flow Table (Pond)  
 Label: Basin

Return Event: 100 years  
 Storm Event:

Elevation (ft)	Outflow (ft <sup>3</sup> /s)	Storage (ft <sup>3</sup> )	Area (ft <sup>2</sup> )	Infiltration (ft <sup>3</sup> /s)	Flow (Total) (ft <sup>3</sup> /s)	2S/t + O (ft <sup>3</sup> /s)
490.80	21.97	557,907.816	61,151.19	0.00	21.97	18,618.90
490.85	22.36	560,969.229	61,305.35	0.00	22.36	18,721.34
490.90	22.78	564,038.354	61,459.71	0.00	22.78	18,824.06
490.95	23.20	567,115.203	61,614.26	0.00	23.20	18,927.04
491.00	23.60	570,199.783	61,769.00	0.00	23.60	19,030.26
491.05	23.97	573,292.109	61,924.05	0.00	23.97	19,133.71
491.10	24.35	576,392.192	62,079.30	0.00	24.35	19,237.42
491.15	24.75	579,500.042	62,234.74	0.00	24.75	19,341.42
491.20	25.10	582,615.669	62,390.38	0.00	25.10	19,445.62
491.25	25.45	585,739.083	62,546.21	0.00	25.45	19,550.09
491.30	25.83	588,870.294	62,702.24	0.00	25.83	19,654.84
491.35	26.18	592,009.310	62,858.46	0.00	26.18	19,759.83
491.40	26.54	595,156.143	63,014.87	0.00	26.54	19,865.08
491.45	26.87	598,310.801	63,171.48	0.00	26.87	19,970.56
491.50	27.24	601,473.294	63,328.28	0.00	27.24	20,076.35
491.55	27.56	604,643.632	63,485.28	0.00	27.56	20,182.35
491.60	27.90	607,821.825	63,642.47	0.00	27.90	20,288.63
491.65	28.21	611,007.882	63,799.86	0.00	28.21	20,395.14
491.70	28.55	614,201.814	63,957.44	0.00	28.55	20,501.94
491.75	28.89	617,403.629	64,115.21	0.00	28.89	20,609.01
491.80	29.20	620,613.338	64,273.18	0.00	29.20	20,716.31
491.85	29.52	623,830.950	64,431.34	0.00	29.52	20,823.89
491.90	29.83	627,056.476	64,589.70	0.00	29.83	20,931.72
491.95	30.15	630,289.924	64,748.25	0.00	30.15	21,039.81
492.00	30.44	633,531.304	64,907.00	0.00	30.44	21,148.15
492.05	30.75	636,780.630	65,066.05	0.00	30.75	21,256.77
492.10	31.05	640,037.913	65,225.30	0.00	31.05	21,365.65
492.15	31.32	643,303.163	65,384.74	0.00	31.32	21,474.76
492.20	31.63	646,576.390	65,544.37	0.00	31.63	21,584.18
492.25	31.93	649,857.603	65,704.20	0.00	31.93	21,693.85
492.30	32.23	653,146.813	65,864.23	0.00	32.23	21,803.79
492.35	32.50	656,444.029	66,024.44	0.00	32.50	21,913.97
492.40	32.76	659,749.261	66,184.86	0.00	32.76	22,024.41
492.45	33.07	663,062.518	66,345.47	0.00	33.07	22,135.15
492.50	33.33	666,383.810	66,506.27	0.00	33.33	22,246.13
492.55	33.64	669,713.148	66,667.27	0.00	33.64	22,357.41
492.60	33.89	673,050.540	66,828.46	0.00	33.89	22,468.91
492.65	34.16	676,395.997	66,989.84	0.00	34.16	22,580.70
492.70	34.43	679,749.528	67,151.43	0.00	34.43	22,692.75
492.75	34.71	683,111.143	67,313.20	0.00	34.71	22,805.08
492.80	34.96	686,480.851	67,475.17	0.00	34.96	22,917.65
492.85	35.23	689,858.663	67,637.34	0.00	35.23	23,030.52
492.90	35.49	693,244.588	67,799.70	0.00	35.49	23,143.64
492.95	35.76	696,638.636	67,962.25	0.00	35.76	23,257.04
493.00	36.02	700,040.817	68,125.00	0.00	36.02	23,370.71

Subsection: Elevation-Volume-Flow Table (Pond)  
 Label: Basin

Return Event: 100 years  
 Storm Event:

Elevation (ft)	Outflow (ft <sup>3</sup> /s)	Storage (ft <sup>3</sup> )	Area (ft <sup>2</sup> )	Infiltration (ft <sup>3</sup> /s)	Flow (Total) (ft <sup>3</sup> /s)	2S/t + O (ft <sup>3</sup> /s)
493.05	36.28	703,451.133	68,287.71	0.00	36.28	23,484.65
493.10	36.51	706,869.590	68,450.61	0.00	36.51	23,598.83
493.15	36.77	710,296.197	68,613.70	0.00	36.77	23,713.31
493.20	37.03	713,730.964	68,776.99	0.00	37.03	23,828.07
493.25	37.30	717,173.900	68,940.47	0.00	37.30	23,943.09
493.30	37.54	720,625.014	69,104.15	0.00	37.54	24,058.38
493.35	37.75	724,084.318	69,268.02	0.00	37.75	24,173.90
493.40	38.02	727,551.819	69,432.08	0.00	38.02	24,289.74
493.45	38.28	731,027.529	69,596.34	0.00	38.28	24,405.86
493.50	38.51	734,511.457	69,760.80	0.00	38.51	24,522.22
493.55	38.73	738,003.612	69,925.44	0.00	38.73	24,638.85
493.60	39.00	741,504.005	70,090.28	0.00	39.00	24,755.80
493.65	39.22	745,012.644	70,255.32	0.00	39.22	24,872.98
493.70	39.46	748,529.540	70,420.55	0.00	39.46	24,990.45
493.75	39.67	752,054.702	70,585.97	0.00	39.67	25,108.16
493.80	39.93	755,588.140	70,751.59	0.00	39.93	25,226.20
493.85	40.16	759,129.864	70,917.40	0.00	40.16	25,344.49
493.90	40.38	762,679.884	71,083.41	0.00	40.38	25,463.05
493.95	40.61	766,238.208	71,249.61	0.00	40.61	25,581.88
494.00	40.83	769,804.848	71,416.00	0.00	40.83	25,700.99
494.05	41.69	773,379.792	71,581.82	0.00	41.69	25,821.02
494.10	43.09	776,963.033	71,747.84	0.00	43.09	25,941.86
494.15	44.77	780,554.579	71,914.05	0.00	44.77	26,063.25
494.20	46.78	784,154.441	72,080.45	0.00	46.78	26,185.26
494.25	48.98	787,762.627	72,247.04	0.00	48.98	26,307.73
494.30	51.43	791,379.148	72,413.82	0.00	51.43	26,430.74
494.35	54.03	795,004.013	72,580.80	0.00	54.03	26,554.16
494.40	56.85	798,637.231	72,747.97	0.00	56.85	26,678.09
494.45	59.82	802,278.813	72,915.33	0.00	59.82	26,802.45
494.50	62.95	805,928.768	73,082.89	0.00	62.95	26,927.25
494.55	66.21	809,587.105	73,250.63	0.00	66.21	27,052.45
494.60	69.62	813,253.834	73,418.57	0.00	69.62	27,178.08
494.65	73.16	816,928.965	73,586.70	0.00	73.16	27,304.13
494.70	76.89	820,612.507	73,755.02	0.00	76.89	27,430.64
494.75	80.68	824,304.471	73,923.54	0.00	80.68	27,557.50
494.80	84.59	828,004.864	74,092.25	0.00	84.59	27,684.75
494.85	88.64	831,713.698	74,261.15	0.00	88.64	27,812.43
494.90	92.79	835,430.982	74,430.24	0.00	92.79	27,940.49
494.95	96.96	839,156.726	74,599.52	0.00	96.96	28,068.86
495.00	100.53	842,890.938	74,769.00	0.00	100.53	28,196.89
495.05	103.99	846,633.635	74,938.92	0.00	103.99	28,325.11
495.10	107.49	850,384.833	75,109.03	0.00	107.49	28,453.65
495.15	111.03	854,144.541	75,279.33	0.00	111.03	28,582.51
495.20	114.59	857,912.769	75,449.83	0.00	114.59	28,711.68
495.25	118.18	861,689.527	75,620.52	0.00	118.18	28,841.16

Subsection: Elevation-Volume-Flow Table (Pond)  
 Label: Basin

Return Event: 100 years  
 Storm Event:

Elevation (ft)	Outflow (ft <sup>3</sup> /s)	Storage (ft <sup>3</sup> )	Area (ft <sup>2</sup> )	Infiltration (ft <sup>3</sup> /s)	Flow (Total) (ft <sup>3</sup> /s)	2S/t + O (ft <sup>3</sup> /s)
495.30	121.78	865,474.824	75,791.40	0.00	121.78	28,970.94
495.35	125.38	869,268.670	75,962.48	0.00	125.38	29,101.01
495.40	128.97	873,071.075	76,133.74	0.00	128.97	29,231.34
495.45	132.57	876,882.048	76,305.20	0.00	132.57	29,361.97
495.50	136.16	880,701.599	76,476.86	0.00	136.16	29,492.88
495.55	139.72	884,529.737	76,648.70	0.00	139.72	29,624.05
495.60	143.24	888,366.472	76,820.74	0.00	143.24	29,755.46
495.65	146.71	892,211.814	76,992.98	0.00	146.71	29,887.10
495.70	150.08	896,065.773	77,165.40	0.00	150.08	30,018.94
495.75	153.39	899,928.358	77,338.02	0.00	153.39	30,151.00
495.80	156.59	903,799.578	77,510.83	0.00	156.59	30,283.24
495.85	157.78	907,679.444	77,683.83	0.00	157.78	30,413.76
495.90	158.94	911,567.964	77,857.03	0.00	158.94	30,544.54
495.95	160.04	915,465.150	78,030.42	0.00	160.04	30,675.54
496.00	161.13	919,371.009	78,204.00	0.00	161.13	30,806.83
496.05	162.20	923,285.496	78,375.52	0.00	162.20	30,938.39
496.10	163.22	927,208.564	78,547.22	0.00	163.22	31,070.18
496.15	164.24	931,140.221	78,719.11	0.00	164.24	31,202.24
496.20	165.23	935,080.478	78,891.19	0.00	165.23	31,334.58
496.25	166.18	939,029.343	79,063.45	0.00	166.18	31,467.16
496.30	167.09	942,986.827	79,235.91	0.00	167.09	31,599.99
496.35	168.01	946,952.937	79,408.55	0.00	168.01	31,733.11
496.40	168.92	950,927.685	79,581.38	0.00	168.92	31,866.50
496.45	169.72	954,911.079	79,754.40	0.00	169.72	32,000.09
496.50	170.56	958,903.128	79,927.61	0.00	170.56	32,134.00
496.55	171.35	962,903.842	80,101.00	0.00	171.35	32,268.15
496.60	172.12	966,913.231	80,274.58	0.00	172.12	32,402.56
496.65	172.86	970,931.304	80,448.35	0.00	172.86	32,537.24
496.70	173.53	974,958.069	80,622.31	0.00	173.53	32,672.14
496.75	174.21	978,993.538	80,796.45	0.00	174.21	32,807.33
496.80	174.88	983,037.718	80,970.79	0.00	174.88	32,942.81
496.85	175.45	987,090.620	81,145.31	0.00	175.45	33,078.48
496.90	176.09	991,152.252	81,320.02	0.00	176.09	33,214.50
496.95	176.60	995,222.625	81,494.92	0.00	176.60	33,350.69
497.00	177.14	999,301.747	81,670.00	0.00	177.14	33,487.20

Subsection: Elevation-Volume-Flow Table (Pond)  
 Label: Basin

Return Event: 101 years  
 Storm Event:

Infiltration	
Infiltration Method (Computed)	No Infiltration

---

Initial Conditions	
Elevation (Water Surface, Initial)	494.00 ft
Volume (Initial)	769,805.000 ft <sup>3</sup>
Flow (Initial Outlet)	0.00 ft <sup>3</sup> /s
Flow (Initial Infiltration)	0.00 ft <sup>3</sup> /s
Flow (Initial, Total)	0.00 ft <sup>3</sup> /s
Time Increment	3 min

Elevation (ft)	Outflow (ft <sup>3</sup> /s)	Storage (ft <sup>3</sup> )	Area (ft <sup>2</sup> )	Infiltration (ft <sup>3</sup> /s)	Flow (Total) (ft <sup>3</sup> /s)	2S/t + O (ft <sup>3</sup> /s)
478.00	0.00	0.000	28,132.00	0.00	0.00	0.00
478.05	0.00	1,409.216	28,236.65	0.00	0.00	15.66
478.10	0.00	2,823.669	28,341.50	0.00	0.00	31.37
478.15	0.00	4,243.369	28,446.55	0.00	0.00	47.15
478.20	0.00	5,668.326	28,551.78	0.00	0.00	62.98
478.25	0.00	7,098.551	28,657.21	0.00	0.00	78.87
478.30	0.00	8,534.051	28,762.84	0.00	0.00	94.82
478.35	0.00	9,974.838	28,868.66	0.00	0.00	110.83
478.40	0.00	11,420.920	28,974.67	0.00	0.00	126.90
478.45	0.00	12,872.308	29,080.88	0.00	0.00	143.03
478.50	0.00	14,329.012	29,187.28	0.00	0.00	159.21
478.55	0.00	15,791.040	29,293.88	0.00	0.00	175.46
478.60	0.00	17,258.403	29,400.67	0.00	0.00	191.76
478.65	0.00	18,731.111	29,507.66	0.00	0.00	208.12
478.70	0.00	20,209.172	29,614.84	0.00	0.00	224.55
478.75	0.00	21,692.598	29,722.21	0.00	0.00	241.03
478.80	0.00	23,181.397	29,829.78	0.00	0.00	257.57
478.85	0.00	24,675.579	29,937.55	0.00	0.00	274.17
478.90	0.00	26,175.155	30,045.50	0.00	0.00	290.84
478.95	0.00	27,680.133	30,153.65	0.00	0.00	307.56
479.00	0.00	29,190.523	30,262.00	0.00	0.00	324.34
479.05	0.00	30,706.331	30,370.36	0.00	0.00	341.18
479.10	0.00	32,227.563	30,478.91	0.00	0.00	358.08
479.15	0.00	33,754.226	30,587.66	0.00	0.00	375.05
479.20	0.00	35,286.332	30,696.60	0.00	0.00	392.07
479.25	0.00	36,823.890	30,805.74	0.00	0.00	409.15
479.30	0.00	38,366.909	30,915.07	0.00	0.00	426.30
479.35	0.00	39,915.400	31,024.59	0.00	0.00	443.50
479.40	0.00	41,469.371	31,134.30	0.00	0.00	460.77
479.45	0.00	43,028.833	31,244.21	0.00	0.00	478.10
479.50	0.00	44,593.796	31,354.32	0.00	0.00	495.49

Subsection: Elevation-Volume-Flow Table (Pond)  
 Label: Basin

Return Event: 101 years  
 Storm Event:

Elevation (ft)	Outflow (ft <sup>3</sup> /s)	Storage (ft <sup>3</sup> )	Area (ft <sup>2</sup> )	Infiltration (ft <sup>3</sup> /s)	Flow (Total) (ft <sup>3</sup> /s)	2S/t + O (ft <sup>3</sup> /s)
479.55	0.00	46,164.268	31,464.61	0.00	0.00	512.94
479.60	0.00	47,740.260	31,575.10	0.00	0.00	530.45
479.65	0.00	49,321.782	31,685.79	0.00	0.00	548.02
479.70	0.00	50,908.842	31,796.67	0.00	0.00	565.65
479.75	0.00	52,501.452	31,907.74	0.00	0.00	583.35
479.80	0.00	54,099.619	32,019.00	0.00	0.00	601.11
479.85	0.00	55,703.355	32,130.46	0.00	0.00	618.93
479.90	0.00	57,312.669	32,242.11	0.00	0.00	636.81
479.95	0.00	58,927.570	32,353.96	0.00	0.00	654.75
480.00	0.00	60,548.068	32,466.00	0.00	0.00	672.76
480.05	0.00	62,174.176	32,578.36	0.00	0.00	690.82
480.10	0.00	63,805.907	32,690.91	0.00	0.00	708.95
480.15	0.00	65,443.270	32,803.65	0.00	0.00	727.15
480.20	0.00	67,086.275	32,916.59	0.00	0.00	745.40
480.25	0.00	68,734.932	33,029.72	0.00	0.00	763.72
480.30	0.00	70,389.251	33,143.05	0.00	0.00	782.10
480.35	0.00	72,049.240	33,256.57	0.00	0.00	800.55
480.40	0.00	73,714.911	33,370.28	0.00	0.00	819.05
480.45	0.00	75,386.272	33,484.19	0.00	0.00	837.63
480.50	0.00	77,063.333	33,598.30	0.00	0.00	856.26
480.55	0.00	78,746.105	33,712.59	0.00	0.00	874.96
480.60	0.00	80,434.596	33,827.08	0.00	0.00	893.72
480.65	0.00	82,128.816	33,941.77	0.00	0.00	912.54
480.70	0.00	83,828.776	34,056.65	0.00	0.00	931.43
480.75	0.00	85,534.484	34,171.72	0.00	0.00	950.38
480.80	0.00	87,245.951	34,286.99	0.00	0.00	969.40
480.85	0.00	88,963.187	34,402.45	0.00	0.00	988.48
480.90	0.00	90,686.200	34,518.11	0.00	0.00	1,007.62
480.95	0.00	92,415.001	34,633.96	0.00	0.00	1,026.83
481.00	0.00	94,149.599	34,750.00	0.00	0.00	1,046.11
481.05	0.00	95,889.987	34,865.58	0.00	0.00	1,065.44
481.10	0.00	97,636.160	34,981.35	0.00	0.00	1,084.85
481.15	0.00	99,388.125	35,097.31	0.00	0.00	1,104.31
481.20	0.00	101,145.893	35,213.46	0.00	0.00	1,123.84
481.25	0.00	102,909.474	35,329.80	0.00	0.00	1,143.44
481.30	0.00	104,678.877	35,446.34	0.00	0.00	1,163.10
481.35	0.00	106,454.112	35,563.07	0.00	0.00	1,182.82
481.40	0.00	108,235.187	35,679.99	0.00	0.00	1,202.61
481.45	0.00	110,022.114	35,797.10	0.00	0.00	1,222.47
481.50	0.00	111,814.901	35,914.41	0.00	0.00	1,242.39
481.55	0.00	113,613.557	36,031.90	0.00	0.00	1,262.37
481.60	0.00	115,418.094	36,149.59	0.00	0.00	1,282.42
481.65	0.00	117,228.520	36,267.47	0.00	0.00	1,302.54
481.70	0.00	119,044.844	36,385.54	0.00	0.00	1,322.72
481.75	0.00	120,867.077	36,503.80	0.00	0.00	1,342.97

Subsection: Elevation-Volume-Flow Table (Pond)  
 Label: Basin

Return Event: 101 years  
 Storm Event:

Elevation (ft)	Outflow (ft <sup>3</sup> /s)	Storage (ft <sup>3</sup> )	Area (ft <sup>2</sup> )	Infiltration (ft <sup>3</sup> /s)	Flow (Total) (ft <sup>3</sup> /s)	2S/t + O (ft <sup>3</sup> /s)
481.80	0.00	122,695.228	36,622.26	0.00	0.00	1,363.28
481.85	0.00	124,529.306	36,740.91	0.00	0.00	1,383.66
481.90	0.00	126,369.322	36,859.75	0.00	0.00	1,404.10
481.95	0.00	128,215.284	36,978.78	0.00	0.00	1,424.61
482.00	0.00	130,067.203	37,098.00	0.00	0.00	1,445.19
482.05	0.00	131,925.093	37,217.67	0.00	0.00	1,465.83
482.10	0.00	133,788.973	37,337.53	0.00	0.00	1,486.54
482.15	0.00	135,658.850	37,457.59	0.00	0.00	1,507.32
482.20	0.00	137,534.734	37,577.83	0.00	0.00	1,528.16
482.25	0.00	139,416.636	37,698.27	0.00	0.00	1,549.07
482.30	0.00	141,304.565	37,818.91	0.00	0.00	1,570.05
482.35	0.00	143,198.530	37,939.73	0.00	0.00	1,591.09
482.40	0.00	145,098.541	38,060.75	0.00	0.00	1,612.21
482.45	0.00	147,004.608	38,181.96	0.00	0.00	1,633.38
482.50	0.00	148,916.741	38,303.36	0.00	0.00	1,654.63
482.55	0.00	150,834.948	38,424.96	0.00	0.00	1,675.94
482.60	0.00	152,759.240	38,546.75	0.00	0.00	1,697.32
482.65	0.00	154,689.626	38,668.73	0.00	0.00	1,718.77
482.70	0.00	156,626.117	38,790.91	0.00	0.00	1,740.29
482.75	0.00	158,568.720	38,913.27	0.00	0.00	1,761.87
482.80	0.00	160,517.447	39,035.83	0.00	0.00	1,783.53
482.85	0.00	162,472.307	39,158.59	0.00	0.00	1,805.25
482.90	0.00	164,433.309	39,281.53	0.00	0.00	1,827.04
482.95	0.00	166,400.463	39,404.67	0.00	0.00	1,848.89
483.00	0.00	168,373.779	39,528.00	0.00	0.00	1,870.82
483.05	0.00	170,353.266	39,651.52	0.00	0.00	1,892.81
483.10	0.00	172,338.934	39,775.23	0.00	0.00	1,914.88
483.15	0.00	174,330.793	39,899.14	0.00	0.00	1,937.01
483.20	0.00	176,328.851	40,023.23	0.00	0.00	1,959.21
483.25	0.00	178,333.119	40,147.52	0.00	0.00	1,981.48
483.30	0.00	180,343.607	40,272.01	0.00	0.00	2,003.82
483.35	0.00	182,360.323	40,396.68	0.00	0.00	2,026.23
483.40	0.00	184,383.278	40,521.55	0.00	0.00	2,048.70
483.45	0.00	186,412.481	40,646.61	0.00	0.00	2,071.25
483.50	0.00	188,447.943	40,771.87	0.00	0.00	2,093.87
483.55	0.00	190,489.671	40,897.31	0.00	0.00	2,116.55
483.60	0.00	192,537.677	41,022.95	0.00	0.00	2,139.31
483.65	0.00	194,591.970	41,148.78	0.00	0.00	2,162.13
483.70	0.00	196,652.558	41,274.81	0.00	0.00	2,185.03
483.75	0.00	198,719.453	41,401.02	0.00	0.00	2,207.99
483.80	0.00	200,792.664	41,527.43	0.00	0.00	2,231.03
483.85	0.00	202,872.200	41,654.04	0.00	0.00	2,254.14
483.90	0.00	204,958.071	41,780.83	0.00	0.00	2,277.31
483.95	0.00	207,050.286	41,907.82	0.00	0.00	2,300.56
484.00	0.00	209,148.856	42,035.00	0.00	0.00	2,323.88

Subsection: Elevation-Volume-Flow Table (Pond)  
 Label: Basin

Return Event: 101 years  
 Storm Event:

Elevation (ft)	Outflow (ft <sup>3</sup> /s)	Storage (ft <sup>3</sup> )	Area (ft <sup>2</sup> )	Infiltration (ft <sup>3</sup> /s)	Flow (Total) (ft <sup>3</sup> /s)	2S/t + O (ft <sup>3</sup> /s)
484.05	0.00	211,253.790	42,162.37	0.00	0.00	2,347.26
484.10	0.00	213,365.096	42,289.93	0.00	0.00	2,370.72
484.15	0.00	215,482.786	42,417.69	0.00	0.00	2,394.25
484.20	0.00	217,606.868	42,545.63	0.00	0.00	2,417.85
484.25	0.00	219,737.353	42,673.77	0.00	0.00	2,441.53
484.30	0.00	221,874.249	42,802.11	0.00	0.00	2,465.27
484.35	0.00	224,017.567	42,930.63	0.00	0.00	2,489.08
484.40	0.00	226,167.315	43,059.35	0.00	0.00	2,512.97
484.45	0.00	228,323.505	43,188.26	0.00	0.00	2,536.93
484.50	0.00	230,486.145	43,317.37	0.00	0.00	2,560.96
484.55	0.00	232,655.245	43,446.66	0.00	0.00	2,585.06
484.60	0.00	234,830.814	43,576.15	0.00	0.00	2,609.23
484.65	0.00	237,012.863	43,705.83	0.00	0.00	2,633.48
484.70	0.00	239,201.401	43,835.71	0.00	0.00	2,657.79
484.75	0.00	241,396.437	43,965.77	0.00	0.00	2,682.18
484.80	0.00	243,597.981	44,096.03	0.00	0.00	2,706.64
484.85	0.00	245,806.044	44,226.49	0.00	0.00	2,731.18
484.90	0.00	248,020.633	44,357.13	0.00	0.00	2,755.78
484.95	0.00	250,241.760	44,487.97	0.00	0.00	2,780.46
485.00	0.00	252,469.434	44,619.00	0.00	0.00	2,805.22
485.05	0.00	254,703.661	44,750.12	0.00	0.00	2,830.04
485.10	0.00	256,944.449	44,881.44	0.00	0.00	2,854.94
485.15	0.00	259,191.808	45,012.94	0.00	0.00	2,879.91
485.20	0.00	261,445.747	45,144.64	0.00	0.00	2,904.95
485.25	0.00	263,706.275	45,276.54	0.00	0.00	2,930.07
485.30	0.00	265,973.403	45,408.62	0.00	0.00	2,955.26
485.35	0.00	268,247.140	45,540.90	0.00	0.00	2,980.52
485.40	0.00	270,527.496	45,673.37	0.00	0.00	3,005.86
485.45	0.00	272,814.480	45,806.03	0.00	0.00	3,031.27
485.50	0.00	275,108.102	45,938.88	0.00	0.00	3,056.76
485.55	0.00	277,408.372	46,071.93	0.00	0.00	3,082.32
485.60	0.00	279,715.298	46,205.17	0.00	0.00	3,107.95
485.65	0.00	282,028.891	46,338.60	0.00	0.00	3,133.65
485.70	0.00	284,349.161	46,472.22	0.00	0.00	3,159.44
485.75	0.00	286,676.117	46,606.04	0.00	0.00	3,185.29
485.80	0.00	289,009.768	46,740.04	0.00	0.00	3,211.22
485.85	0.00	291,350.124	46,874.24	0.00	0.00	3,237.22
485.90	0.00	293,697.195	47,008.64	0.00	0.00	3,263.30
485.95	0.00	296,050.991	47,143.22	0.00	0.00	3,289.46
486.00	0.00	298,411.521	47,278.00	0.00	0.00	3,315.68
486.05	0.00	300,778.799	47,413.17	0.00	0.00	3,341.99
486.10	0.00	303,152.841	47,548.53	0.00	0.00	3,368.36
486.15	0.00	305,533.655	47,684.08	0.00	0.00	3,394.82
486.20	0.00	307,921.252	47,819.83	0.00	0.00	3,421.35
486.25	0.00	310,315.641	47,955.76	0.00	0.00	3,447.95



Subsection: Elevation-Volume-Flow Table (Pond)  
 Label: Basin

Return Event: 101 years  
 Storm Event:

Elevation (ft)	Outflow (ft <sup>3</sup> /s)	Storage (ft <sup>3</sup> )	Area (ft <sup>2</sup> )	Infiltration (ft <sup>3</sup> /s)	Flow (Total) (ft <sup>3</sup> /s)	2S/t + O (ft <sup>3</sup> /s)
486.30	0.00	312,716.832	48,091.90	0.00	0.00	3,474.63
486.35	0.00	315,124.834	48,228.22	0.00	0.00	3,501.39
486.40	0.00	317,539.657	48,364.74	0.00	0.00	3,528.22
486.45	0.00	319,961.311	48,501.45	0.00	0.00	3,555.13
486.50	0.00	322,389.805	48,638.35	0.00	0.00	3,582.11
486.55	0.00	324,825.149	48,775.45	0.00	0.00	3,609.17
486.60	0.00	327,267.353	48,912.74	0.00	0.00	3,636.30
486.65	0.00	329,716.426	49,050.22	0.00	0.00	3,663.52
486.70	0.00	332,172.378	49,187.90	0.00	0.00	3,690.80
486.75	0.00	334,635.219	49,325.76	0.00	0.00	3,718.17
486.80	0.00	337,104.958	49,463.83	0.00	0.00	3,745.61
486.85	0.00	339,581.605	49,602.08	0.00	0.00	3,773.13
486.90	0.00	342,065.169	49,740.53	0.00	0.00	3,800.72
486.95	0.00	344,555.661	49,879.17	0.00	0.00	3,828.40
487.00	0.00	347,053.089	50,018.00	0.00	0.00	3,856.15
487.05	0.00	349,557.465	50,157.07	0.00	0.00	3,883.97
487.10	0.00	352,068.799	50,296.32	0.00	0.00	3,911.88
487.15	0.00	354,587.101	50,435.78	0.00	0.00	3,939.86
487.20	0.00	357,112.380	50,575.42	0.00	0.00	3,967.92
487.25	0.00	359,644.646	50,715.26	0.00	0.00	3,996.05
487.30	0.00	362,183.909	50,855.29	0.00	0.00	4,024.27
487.35	0.00	364,730.179	50,995.52	0.00	0.00	4,052.56
487.40	0.00	367,283.464	51,135.93	0.00	0.00	4,080.93
487.45	0.00	369,843.775	51,276.54	0.00	0.00	4,109.38
487.50	0.00	372,411.122	51,417.35	0.00	0.00	4,137.90
487.55	0.00	374,985.513	51,558.34	0.00	0.00	4,166.51
487.60	0.00	377,566.959	51,699.53	0.00	0.00	4,195.19
487.65	0.00	380,155.470	51,840.92	0.00	0.00	4,223.95
487.70	0.00	382,751.054	51,982.49	0.00	0.00	4,252.79
487.75	0.00	385,353.722	52,124.26	0.00	0.00	4,281.71
487.80	0.00	387,963.483	52,266.22	0.00	0.00	4,310.71
487.85	0.00	390,580.348	52,408.38	0.00	0.00	4,339.78
487.90	0.00	393,204.324	52,550.72	0.00	0.00	4,368.94
487.95	0.00	395,835.423	52,693.27	0.00	0.00	4,398.17
488.00	0.00	398,473.654	52,836.00	0.00	0.00	4,427.49
488.05	0.00	401,119.027	52,978.96	0.00	0.00	4,456.88
488.10	0.00	403,771.554	53,122.12	0.00	0.00	4,486.35
488.15	0.00	406,431.243	53,265.47	0.00	0.00	4,515.90
488.20	0.00	409,098.104	53,409.02	0.00	0.00	4,545.53
488.25	0.00	411,772.148	53,552.76	0.00	0.00	4,575.25
488.30	0.00	414,453.383	53,696.69	0.00	0.00	4,605.04
488.35	0.00	417,141.820	53,840.81	0.00	0.00	4,634.91
488.40	0.00	419,837.468	53,985.13	0.00	0.00	4,664.86
488.45	0.00	422,540.336	54,129.64	0.00	0.00	4,694.89
488.50	0.00	425,250.435	54,274.34	0.00	0.00	4,725.00

Subsection: Elevation-Volume-Flow Table (Pond)  
 Label: Basin

Return Event: 101 years  
 Storm Event:

Elevation (ft)	Outflow (ft <sup>3</sup> /s)	Storage (ft <sup>3</sup> )	Area (ft <sup>2</sup> )	Infiltration (ft <sup>3</sup> /s)	Flow (Total) (ft <sup>3</sup> /s)	2S/t + O (ft <sup>3</sup> /s)
488.55	0.00	427,967.774	54,419.24	0.00	0.00	4,755.20
488.60	0.00	430,692.362	54,564.33	0.00	0.00	4,785.47
488.65	0.00	433,424.210	54,709.61	0.00	0.00	4,815.82
488.70	0.00	436,163.326	54,855.09	0.00	0.00	4,846.26
488.75	0.00	438,909.722	55,000.76	0.00	0.00	4,876.77
488.80	0.00	441,663.405	55,146.62	0.00	0.00	4,907.37
488.85	0.00	444,424.387	55,292.67	0.00	0.00	4,938.05
488.90	0.00	447,192.676	55,438.92	0.00	0.00	4,968.81
488.95	0.00	449,968.282	55,585.36	0.00	0.00	4,999.65
489.00	0.00	452,751.215	55,732.00	0.00	0.00	5,030.57
489.05	0.00	455,541.492	55,879.11	0.00	0.00	5,061.57
489.10	0.00	458,339.130	56,026.41	0.00	0.00	5,092.66
489.15	0.00	461,144.137	56,173.91	0.00	0.00	5,123.82
489.20	0.00	463,956.523	56,321.60	0.00	0.00	5,155.07
489.25	0.00	466,776.299	56,469.48	0.00	0.00	5,186.40
489.30	0.00	469,603.474	56,617.56	0.00	0.00	5,217.82
489.35	0.00	472,438.058	56,765.83	0.00	0.00	5,249.31
489.40	0.00	475,280.060	56,914.29	0.00	0.00	5,280.89
489.45	0.00	478,129.491	57,062.95	0.00	0.00	5,312.55
489.50	0.00	480,986.359	57,211.81	0.00	0.00	5,344.29
489.55	0.00	483,850.675	57,360.85	0.00	0.00	5,376.12
489.60	0.00	486,722.447	57,510.09	0.00	0.00	5,408.03
489.65	0.00	489,601.687	57,659.53	0.00	0.00	5,440.02
489.70	0.00	492,488.403	57,809.16	0.00	0.00	5,472.09
489.75	0.00	495,382.606	57,958.98	0.00	0.00	5,504.25
489.80	0.00	498,284.305	58,109.00	0.00	0.00	5,536.49
489.85	0.00	501,193.509	58,259.21	0.00	0.00	5,568.82
489.90	0.00	504,110.228	58,409.61	0.00	0.00	5,601.22
489.95	0.00	507,034.473	58,560.21	0.00	0.00	5,633.72
490.00	0.00	509,966.252	58,711.00	0.00	0.00	5,666.29
490.05	0.00	512,905.578	58,862.06	0.00	0.00	5,698.95
490.10	0.00	515,852.461	59,013.31	0.00	0.00	5,731.69
490.15	0.00	518,806.912	59,164.75	0.00	0.00	5,764.52
490.20	0.00	521,768.940	59,316.39	0.00	0.00	5,797.43
490.25	0.00	524,738.554	59,468.22	0.00	0.00	5,830.43
490.30	0.00	527,715.765	59,620.25	0.00	0.00	5,863.51
490.35	0.00	530,700.582	59,772.47	0.00	0.00	5,896.67
490.40	0.00	533,693.015	59,924.88	0.00	0.00	5,929.92
490.45	0.00	536,693.074	60,077.49	0.00	0.00	5,963.26
490.50	0.00	539,700.768	60,230.30	0.00	0.00	5,996.68
490.55	0.00	542,716.107	60,383.29	0.00	0.00	6,030.18
490.60	0.00	545,739.100	60,536.48	0.00	0.00	6,063.77
490.65	0.00	548,769.758	60,689.87	0.00	0.00	6,097.44
490.70	0.00	551,808.091	60,843.45	0.00	0.00	6,131.20
490.75	0.00	554,854.106	60,997.22	0.00	0.00	6,165.05

Subsection: Elevation-Volume-Flow Table (Pond)  
 Label: Basin

Return Event: 101 years  
 Storm Event:

Elevation (ft)	Outflow (ft <sup>3</sup> /s)	Storage (ft <sup>3</sup> )	Area (ft <sup>2</sup> )	Infiltration (ft <sup>3</sup> /s)	Flow (Total) (ft <sup>3</sup> /s)	2S/t + O (ft <sup>3</sup> /s)
490.80	0.00	557,907.816	61,151.19	0.00	0.00	6,198.98
490.85	0.00	560,969.229	61,305.35	0.00	0.00	6,232.99
490.90	0.00	564,038.354	61,459.71	0.00	0.00	6,267.09
490.95	0.00	567,115.203	61,614.26	0.00	0.00	6,301.28
491.00	0.00	570,199.783	61,769.00	0.00	0.00	6,335.55
491.05	0.00	573,292.109	61,924.05	0.00	0.00	6,369.91
491.10	0.00	576,392.192	62,079.30	0.00	0.00	6,404.36
491.15	0.00	579,500.042	62,234.74	0.00	0.00	6,438.89
491.20	0.00	582,615.669	62,390.38	0.00	0.00	6,473.51
491.25	0.00	585,739.083	62,546.21	0.00	0.00	6,508.21
491.30	0.00	588,870.294	62,702.24	0.00	0.00	6,543.00
491.35	0.00	592,009.310	62,858.46	0.00	0.00	6,577.88
491.40	0.00	595,156.143	63,014.87	0.00	0.00	6,612.85
491.45	0.00	598,310.801	63,171.48	0.00	0.00	6,647.90
491.50	0.00	601,473.294	63,328.28	0.00	0.00	6,683.04
491.55	0.00	604,643.632	63,485.28	0.00	0.00	6,718.26
491.60	0.00	607,821.825	63,642.47	0.00	0.00	6,753.58
491.65	0.00	611,007.882	63,799.86	0.00	0.00	6,788.98
491.70	0.00	614,201.814	63,957.44	0.00	0.00	6,824.46
491.75	0.00	617,403.629	64,115.21	0.00	0.00	6,860.04
491.80	0.00	620,613.338	64,273.18	0.00	0.00	6,895.70
491.85	0.00	623,830.950	64,431.34	0.00	0.00	6,931.46
491.90	0.00	627,056.476	64,589.70	0.00	0.00	6,967.29
491.95	0.00	630,289.924	64,748.25	0.00	0.00	7,003.22
492.00	0.00	633,531.304	64,907.00	0.00	0.00	7,039.24
492.05	0.00	636,780.630	65,066.05	0.00	0.00	7,075.34
492.10	0.00	640,037.913	65,225.30	0.00	0.00	7,111.53
492.15	0.00	643,303.163	65,384.74	0.00	0.00	7,147.81
492.20	0.00	646,576.390	65,544.37	0.00	0.00	7,184.18
492.25	0.00	649,857.603	65,704.20	0.00	0.00	7,220.64
492.30	0.00	653,146.813	65,864.23	0.00	0.00	7,257.19
492.35	0.00	656,444.029	66,024.44	0.00	0.00	7,293.82
492.40	0.00	659,749.261	66,184.86	0.00	0.00	7,330.55
492.45	0.00	663,062.518	66,345.47	0.00	0.00	7,367.36
492.50	0.00	666,383.810	66,506.27	0.00	0.00	7,404.26
492.55	0.00	669,713.148	66,667.27	0.00	0.00	7,441.26
492.60	0.00	673,050.540	66,828.46	0.00	0.00	7,478.34
492.65	0.00	676,395.997	66,989.84	0.00	0.00	7,515.51
492.70	0.00	679,749.528	67,151.43	0.00	0.00	7,552.77
492.75	0.00	683,111.143	67,313.20	0.00	0.00	7,590.12
492.80	0.00	686,480.851	67,475.17	0.00	0.00	7,627.57
492.85	0.00	689,858.663	67,637.34	0.00	0.00	7,665.10
492.90	0.00	693,244.588	67,799.70	0.00	0.00	7,702.72
492.95	0.00	696,638.636	67,962.25	0.00	0.00	7,740.43
493.00	0.00	700,040.817	68,125.00	0.00	0.00	7,778.23

Subsection: Elevation-Volume-Flow Table (Pond)  
 Label: Basin

Return Event: 101 years  
 Storm Event:

Elevation (ft)	Outflow (ft <sup>3</sup> /s)	Storage (ft <sup>3</sup> )	Area (ft <sup>2</sup> )	Infiltration (ft <sup>3</sup> /s)	Flow (Total) (ft <sup>3</sup> /s)	2S/t + O (ft <sup>3</sup> /s)
493.05	0.00	703,451.133	68,287.71	0.00	0.00	7,816.12
493.10	0.00	706,869.590	68,450.61	0.00	0.00	7,854.11
493.15	0.00	710,296.197	68,613.70	0.00	0.00	7,892.18
493.20	0.00	713,730.964	68,776.99	0.00	0.00	7,930.34
493.25	0.00	717,173.900	68,940.47	0.00	0.00	7,968.60
493.30	0.00	720,625.014	69,104.15	0.00	0.00	8,006.94
493.35	0.00	724,084.318	69,268.02	0.00	0.00	8,045.38
493.40	0.00	727,551.819	69,432.08	0.00	0.00	8,083.91
493.45	0.00	731,027.529	69,596.34	0.00	0.00	8,122.53
493.50	0.00	734,511.457	69,760.80	0.00	0.00	8,161.24
493.55	0.00	738,003.612	69,925.44	0.00	0.00	8,200.04
493.60	0.00	741,504.005	70,090.28	0.00	0.00	8,238.93
493.65	0.00	745,012.644	70,255.32	0.00	0.00	8,277.92
493.70	0.00	748,529.540	70,420.55	0.00	0.00	8,316.99
493.75	0.00	752,054.702	70,585.97	0.00	0.00	8,356.16
493.80	0.00	755,588.140	70,751.59	0.00	0.00	8,395.42
493.85	0.00	759,129.864	70,917.40	0.00	0.00	8,434.78
493.90	0.00	762,679.884	71,083.41	0.00	0.00	8,474.22
493.95	0.00	766,238.208	71,249.61	0.00	0.00	8,513.76
494.00	0.00	769,804.848	71,416.00	0.00	0.00	8,553.39
494.05	0.63	773,379.792	71,581.82	0.00	0.63	8,593.74
494.10	1.78	776,963.033	71,747.84	0.00	1.78	8,634.70
494.15	3.27	780,554.579	71,914.05	0.00	3.27	8,676.10
494.20	5.03	784,154.441	72,080.45	0.00	5.03	8,717.86
494.25	7.04	787,762.627	72,247.04	0.00	7.04	8,759.95
494.30	9.25	791,379.148	72,413.82	0.00	9.25	8,802.35
494.35	11.65	795,004.013	72,580.80	0.00	11.65	8,845.03
494.40	14.24	798,637.231	72,747.97	0.00	14.24	8,887.98
494.45	16.99	802,278.813	72,915.33	0.00	16.99	8,931.20
494.50	19.90	805,928.768	73,082.89	0.00	19.90	8,974.66
494.55	22.96	809,587.105	73,250.63	0.00	22.96	9,018.37
494.60	26.16	813,253.834	73,418.57	0.00	26.16	9,062.31
494.65	29.49	816,928.965	73,586.70	0.00	29.49	9,106.48
494.70	32.94	820,612.507	73,755.02	0.00	32.94	9,150.86
494.75	36.55	824,304.471	73,923.54	0.00	36.55	9,195.49
494.80	40.29	828,004.864	74,092.25	0.00	40.29	9,240.34
494.85	44.09	831,713.698	74,261.15	0.00	44.09	9,285.35
494.90	48.06	835,430.982	74,430.24	0.00	48.06	9,330.63
494.95	52.13	839,156.726	74,599.52	0.00	52.13	9,376.09
495.00	56.28	842,890.938	74,769.00	0.00	56.28	9,421.74
495.05	60.54	846,633.635	74,938.92	0.00	60.54	9,467.58
495.10	64.91	850,384.833	75,109.03	0.00	64.91	9,513.63
495.15	69.39	854,144.541	75,279.33	0.00	69.39	9,559.89
495.20	73.99	857,912.769	75,449.83	0.00	73.99	9,606.35
495.25	78.65	861,689.527	75,620.52	0.00	78.65	9,652.98

Subsection: Elevation-Volume-Flow Table (Pond)  
 Label: Basin

Return Event: 101 years  
 Storm Event:

Elevation (ft)	Outflow (ft <sup>3</sup> /s)	Storage (ft <sup>3</sup> )	Area (ft <sup>2</sup> )	Infiltration (ft <sup>3</sup> /s)	Flow (Total) (ft <sup>3</sup> /s)	2S/t + O (ft <sup>3</sup> /s)
495.30	83.42	865,474.824	75,791.40	0.00	83.42	9,699.81
495.35	88.26	869,268.670	75,962.48	0.00	88.26	9,746.80
495.40	93.22	873,071.075	76,133.74	0.00	93.22	9,794.01
495.45	98.28	876,882.048	76,305.20	0.00	98.28	9,841.41
495.50	103.39	880,701.599	76,476.86	0.00	103.39	9,888.97
495.55	108.61	884,529.737	76,648.70	0.00	108.61	9,936.71
495.60	113.90	888,366.472	76,820.74	0.00	113.90	9,984.64
495.65	119.28	892,211.814	76,992.98	0.00	119.28	10,032.75
495.70	124.75	896,065.773	77,165.40	0.00	124.75	10,081.03
495.75	130.29	899,928.358	77,338.02	0.00	130.29	10,129.49
495.80	135.91	903,799.578	77,510.83	0.00	135.91	10,178.13
495.85	137.87	907,679.444	77,683.83	0.00	137.87	10,223.20
495.90	139.72	911,567.964	77,857.03	0.00	139.72	10,268.25
495.95	141.54	915,465.150	78,030.42	0.00	141.54	10,313.38
496.00	143.35	919,371.009	78,204.00	0.00	143.35	10,358.58
496.05	145.13	923,285.496	78,375.52	0.00	145.13	10,403.86
496.10	146.89	927,208.564	78,547.22	0.00	146.89	10,449.21
496.15	148.63	931,140.221	78,719.11	0.00	148.63	10,494.63
496.20	150.34	935,080.478	78,891.19	0.00	150.34	10,540.13
496.25	152.04	939,029.343	79,063.45	0.00	152.04	10,585.70
496.30	153.72	942,986.827	79,235.91	0.00	153.72	10,631.36
496.35	155.39	946,952.937	79,408.55	0.00	155.39	10,677.09
496.40	157.03	950,927.685	79,581.38	0.00	157.03	10,722.89
496.45	158.66	954,911.079	79,754.40	0.00	158.66	10,768.78
496.50	160.27	958,903.128	79,927.61	0.00	160.27	10,814.75
496.55	161.86	962,903.842	80,101.00	0.00	161.86	10,860.79
496.60	163.44	966,913.231	80,274.58	0.00	163.44	10,906.92
496.65	165.01	970,931.304	80,448.35	0.00	165.01	10,953.13
496.70	166.56	974,958.069	80,622.31	0.00	166.56	10,999.42
496.75	168.09	978,993.538	80,796.45	0.00	168.09	11,045.80
496.80	169.61	983,037.718	80,970.79	0.00	169.61	11,092.25
496.85	171.12	987,090.620	81,145.31	0.00	171.12	11,138.79
496.90	172.61	991,152.252	81,320.02	0.00	172.61	11,185.42
496.95	174.10	995,222.625	81,494.92	0.00	174.10	11,232.12
497.00	175.56	999,301.747	81,670.00	0.00	175.56	11,278.92

Subsection: Level Pool Pond Routing Summary  
 Label: Basin (IN)

Return Event: 2 years  
 Storm Event:

---

**Infiltration**

---

Infiltration Method (Computed)	No Infiltration
--------------------------------	-----------------

---

**Initial Conditions**

---

Elevation (Water Surface, Initial)	488.50 ft
Volume (Initial)	425,250.000 ft <sup>3</sup>
Flow (Initial Outlet)	0.00 ft <sup>3</sup> /s
Flow (Initial Infiltration)	0.00 ft <sup>3</sup> /s
Flow (Initial, Total)	0.00 ft <sup>3</sup> /s
Time Increment	1 min

---



---

**Inflow/Outflow Hydrograph Summary**

---

Flow (Peak In)	32.15 ft <sup>3</sup> /s	Time to Peak (Flow, In)	5 min
Flow (Peak Outlet)	3.22 ft <sup>3</sup> /s	Time to Peak (Flow, Outlet)	24 min

---

Elevation (Water Surface, Peak)	489.16 ft
Volume (Peak)	461,727.464 ft <sup>3</sup>

---

**Mass Balance (ft<sup>3</sup>)**

---

Volume (Initial)	425,250.000 ft <sup>3</sup>
Volume (Total Inflow)	38,580.000 ft <sup>3</sup>
Volume (Total Infiltration)	0.000 ft <sup>3</sup>
Volume (Total Outlet Outflow)	18,860.000 ft <sup>3</sup>
Volume (Retained)	444,892.000 ft <sup>3</sup>
Volume (Unrouted)	-78.000 ft <sup>3</sup>
Error (Mass Balance)	0.2 %

---

Subsection: Level Pool Pond Routing Summary  
 Label: Basin (IN)

Return Event: 15 years  
 Storm Event:

---

**Infiltration**

---

Infiltration Method (Computed)	No Infiltration
-----------------------------------	-----------------

---

**Initial Conditions**

---

Elevation (Water Surface, Initial)	488.50 ft
Volume (Initial)	425,250.000 ft <sup>3</sup>
Flow (Initial Outlet)	0.00 ft <sup>3</sup> /s
Flow (Initial Infiltration)	0.00 ft <sup>3</sup> /s
Flow (Initial, Total)	0.00 ft <sup>3</sup> /s
Time Increment	1 min

---



---

**Inflow/Outflow Hydrograph Summary**

---

Flow (Peak In)	51.88 ft <sup>3</sup> /s	Time to Peak (Flow, In)	5 min
Flow (Peak Outlet)	6.38 ft <sup>3</sup> /s	Time to Peak (Flow, Outlet)	24 min

---

Elevation (Water Surface, Peak)	489.54 ft
Volume (Peak)	483,374.470 ft <sup>3</sup>

---

**Mass Balance (ft<sup>3</sup>)**

---

Volume (Initial)	425,250.000 ft <sup>3</sup>
Volume (Total Inflow)	62,256.000 ft <sup>3</sup>
Volume (Total Infiltration)	0.000 ft <sup>3</sup>
Volume (Total Outlet Outflow)	34,642.000 ft <sup>3</sup>
Volume (Retained)	452,737.000 ft <sup>3</sup>
Volume (Unrouted)	-128.000 ft <sup>3</sup>
Error (Mass Balance)	0.2 %

---

Subsection: Level Pool Pond Routing Summary  
 Label: Basin (IN)

Return Event: 25 years  
 Storm Event:

Infiltration	
Infiltration Method (Computed)	No Infiltration

---

Initial Conditions	
Elevation (Water Surface, Initial)	488.50 ft
Volume (Initial)	425,250.000 ft <sup>3</sup>
Flow (Initial Outlet)	0.00 ft <sup>3</sup> /s
Flow (Initial Infiltration)	0.00 ft <sup>3</sup> /s
Flow (Initial, Total)	0.00 ft <sup>3</sup> /s
Time Increment	1 min

Inflow/Outflow Hydrograph Summary			
Flow (Peak In)	64.02 ft <sup>3</sup> /s	Time to Peak (Flow, In)	5 min
Flow (Peak Outlet)	8.58 ft <sup>3</sup> /s	Time to Peak (Flow, Outlet)	24 min

Elevation (Water Surface, Peak)	489.77 ft
Volume (Peak)	496,520.070 ft <sup>3</sup>

Mass Balance (ft <sup>3</sup> )	
Volume (Initial)	425,250.000 ft <sup>3</sup>
Volume (Total Inflow)	76,824.000 ft <sup>3</sup>
Volume (Total Infiltration)	0.000 ft <sup>3</sup>
Volume (Total Outlet Outflow)	45,011.000 ft <sup>3</sup>
Volume (Retained)	456,905.000 ft <sup>3</sup>
Volume (Unrouted)	-158.000 ft <sup>3</sup>
Error (Mass Balance)	0.2 %



Subsection: Level Pool Pond Routing Summary  
 Label: Basin (IN)

Return Event: 100 years  
 Storm Event:

---

**Infiltration**

---

Infiltration Method (Computed)	No Infiltration
-----------------------------------	-----------------

---

**Initial Conditions**

---

Elevation (Water Surface, Initial)	488.50 ft
Volume (Initial)	425,250.000 ft <sup>3</sup>
Flow (Initial Outlet)	0.00 ft <sup>3</sup> /s
Flow (Initial Infiltration)	0.00 ft <sup>3</sup> /s
Flow (Initial, Total)	0.00 ft <sup>3</sup> /s
Time Increment	1 min

---



---

**Inflow/Outflow Hydrograph Summary**

---

Flow (Peak In)	81.91 ft <sup>3</sup> /s	Time to Peak (Flow, In)	5 min
Flow (Peak Outlet)	12.11 ft <sup>3</sup> /s	Time to Peak (Flow, Outlet)	24 min

---

Elevation (Water Surface, Peak)	490.10 ft
Volume (Peak)	515,700.740 ft <sup>3</sup>

---

**Mass Balance (ft<sup>3</sup>)**

---

Volume (Initial)	425,250.000 ft <sup>3</sup>
Volume (Total Inflow)	98,292.000 ft <sup>3</sup>
Volume (Total Infiltration)	0.000 ft <sup>3</sup>
Volume (Total Outlet Outflow)	60,924.000 ft <sup>3</sup>
Volume (Retained)	462,418.000 ft <sup>3</sup>
Volume (Unrouted)	-200.000 ft <sup>3</sup>
Error (Mass Balance)	0.2 %

---

Subsection: Level Pool Pond Routing Summary  
 Label: Basin (IN)

Return Event: 101 years  
 Storm Event:

---

**Infiltration**

---

Infiltration Method (Computed)	No Infiltration
-----------------------------------	-----------------

---

**Initial Conditions**

---

Elevation (Water Surface, Initial)	494.00 ft
Volume (Initial)	769,805.000 ft <sup>3</sup>
Flow (Initial Outlet)	0.00 ft <sup>3</sup> /s
Flow (Initial Infiltration)	0.00 ft <sup>3</sup> /s
Flow (Initial, Total)	0.00 ft <sup>3</sup> /s
Time Increment	3 min

---



---

**Inflow/Outflow Hydrograph Summary**

---

Flow (Peak In)	81.91 ft <sup>3</sup> /s	Time to Peak (Flow, In)	6 min
Flow (Peak Outlet)	45.81 ft <sup>3</sup> /s	Time to Peak (Flow, Outlet)	21 min

---

Elevation (Water Surface, Peak)	494.87 ft
Volume (Peak)	833,325.372 ft <sup>3</sup>

---

**Mass Balance (ft<sup>3</sup>)**

---

Volume (Initial)	769,805.000 ft <sup>3</sup>
Volume (Total Inflow)	97,309.000 ft <sup>3</sup>
Volume (Total Infiltration)	0.000 ft <sup>3</sup>
Volume (Total Outlet Outflow)	97,309.000 ft <sup>3</sup>
Volume (Retained)	769,805.000 ft <sup>3</sup>
Volume (Unrouted)	0.000 ft <sup>3</sup>
Error (Mass Balance)	0.0 %

---

Subsection: Pond Inflow Summary  
Label: Basin (IN)

Return Event: 2 years  
Storm Event:

### Summary for Hydrograph Addition at 'Basin'

Upstream Link	Upstream Node
<Catchment to Outflow Node>	Site Runoff

### Node Inflows

Inflow Type	Element	Volume (ft <sup>3</sup> )	Time to Peak (min)	Flow (Peak) (ft <sup>3</sup> /s)
Flow (From)	Site Runoff	38,580.000	5	32.15
Flow (In)	Basin	38,580.000	5	32.15

Subsection: Pond Inflow Summary  
Label: Basin (IN)

Return Event: 15 years  
Storm Event:

### Summary for Hydrograph Addition at 'Basin'

Upstream Link	Upstream Node
<Catchment to Outflow Node>	Site Runoff

### Node Inflows

Inflow Type	Element	Volume (ft <sup>3</sup> )	Time to Peak (min)	Flow (Peak) (ft <sup>3</sup> /s)
Flow (From)	Site Runoff	62,256.000	5	51.88
Flow (In)	Basin	62,256.000	5	51.88

Subsection: Pond Inflow Summary  
Label: Basin (IN)

Return Event: 25 years  
Storm Event:

### Summary for Hydrograph Addition at 'Basin'

Upstream Link	Upstream Node
<Catchment to Outflow Node>	Site Runoff

### Node Inflows

Inflow Type	Element	Volume (ft <sup>3</sup> )	Time to Peak (min)	Flow (Peak) (ft <sup>3</sup> /s)
Flow (From)	Site Runoff	76,824.000	5	64.02
Flow (In)	Basin	76,824.000	5	64.02

Subsection: Pond Inflow Summary  
Label: Basin (IN)

Return Event: 100 years  
Storm Event:

### Summary for Hydrograph Addition at 'Basin'

Upstream Link	Upstream Node
<Catchment to Outflow Node>	Site Runoff

### Node Inflows

Inflow Type	Element	Volume (ft <sup>3</sup> )	Time to Peak (min)	Flow (Peak) (ft <sup>3</sup> /s)
Flow (From)	Site Runoff	98,292.000	5	81.91
Flow (In)	Basin	98,292.000	5	81.91

Subsection: Pond Inflow Summary  
Label: Basin (IN)

Return Event: 101 years  
Storm Event:

### Summary for Hydrograph Addition at 'Basin'

Upstream Link	Upstream Node
<Catchment to Outflow Node>	Site Runoff

### Node Inflows

Inflow Type	Element	Volume (ft <sup>3</sup> )	Time to Peak (min)	Flow (Peak) (ft <sup>3</sup> /s)
Flow (From)	Site Runoff	98,292.000	5	81.91
Flow (In)	Basin	97,309.080	6	81.91

# Index

## B

- Basin (Elevation-Area Volume Curve)...
- Basin (Elevation-Area Volume Curve, 2 years)...7
- Basin (Elevation-Volume-Flow Table (Pond))...
- Basin (Elevation-Volume-Flow Table (Pond), 100 years)...86, 87, 88, 89, 90, 91, 92, 93, 94
- Basin (Elevation-Volume-Flow Table (Pond), 101 years)...95, 96, 97, 98, 99, 100, 101, 102, 103
- Basin (Elevation-Volume-Flow Table (Pond), 15 years)...68, 69, 70, 71, 72, 73, 74, 75, 76
- Basin (Elevation-Volume-Flow Table (Pond), 2 years)...59, 60, 61, 62, 63, 64, 65, 66, 67
- Basin (Elevation-Volume-Flow Table (Pond), 25 years)...77, 78, 79, 80, 81, 82, 83, 84, 85
- Basin (IN) (Level Pool Pond Routing Summary)...
- Basin (IN) (Level Pool Pond Routing Summary, 100 years)...107
- Basin (IN) (Level Pool Pond Routing Summary, 101 years)...108
- Basin (IN) (Level Pool Pond Routing Summary, 15 years)...105
- Basin (IN) (Level Pool Pond Routing Summary, 2 years)...104
- Basin (IN) (Level Pool Pond Routing Summary, 25 years)...106
- Basin (IN) (Pond Inflow Summary)...
- Basin (IN) (Pond Inflow Summary, 100 years)...112
- Basin (IN) (Pond Inflow Summary, 101 years)...113
- Basin (IN) (Pond Inflow Summary, 15 years)...110
- Basin (IN) (Pond Inflow Summary, 2 years)...109
- Basin (IN) (Pond Inflow Summary, 25 years)...111
- Basin (Volume Equations)...
- Basin (Volume Equations, 2 years)...8

## L

- LFB (Composite Rating Curve)...
- LFB (Composite Rating Curve, 101 years)...13, 14, 15, 16, 17, 18, 19, 20, 21, 22, 23, 24, 25, 26, 27, 28, 29
- LFB (Outlet Input Data)...
- LFB (Outlet Input Data, 101 years)...9, 10, 11, 12

## M

- Master Network Summary...1



O

OS 101 (Composite Rating Curve)...

OS 101 (Composite Rating Curve, 2 years)...34, 35, 36, 37, 38, 39, 40, 41, 42, 43,  
44, 45, 46, 47, 48, 49, 50, 51, 52, 53, 54, 55, 56, 57, 58

OS 101 (Outlet Input Data)...

OS 101 (Outlet Input Data, 2 years)...30, 31, 32, 33

S

Site Runoff (Read Hydrograph)...

Site Runoff (Read Hydrograph, 100 years)...5

Site Runoff (Read Hydrograph, 101 years)...6

Site Runoff (Read Hydrograph, 15 years)...3

Site Runoff (Read Hydrograph, 2 years)...2

Site Runoff (Read Hydrograph, 25 years)...4

# Appendix C

- Flooded Basin Routing
  - Basin Inflow
    - 2 year Detention Routing
    - 15 year Detention Routing
    - 25 year Detention Routing
    - 100 year Detention Routing

## Table of Contents

	Master Network Summary	1
Site Runoff		
	Read Hydrograph	2
	Read Hydrograph	3
	Read Hydrograph	4
	Read Hydrograph	5
Basin		
	Elevation-Area Volume Curve	6
	Volume Equations	7
LFB		
	Outlet Input Data	8
	Composite Rating Curve	11
OS 101		
	Outlet Input Data	28
	Composite Rating Curve	31
Basin		
	Elevation-Volume-Flow Table (Pond)	56
	Elevation-Volume-Flow Table (Pond)	65
	Elevation-Volume-Flow Table (Pond)	74
	Elevation-Volume-Flow Table (Pond)	83
Basin (IN)		
	Level Pool Pond Routing Summary	92
	Level Pool Pond Routing Summary	93
	Level Pool Pond Routing Summary	94
	Level Pool Pond Routing Summary	95
	Level Pool Pond Routing Summary	95
	Pond Inflow Summary	97
	Pond Inflow Summary	98
	Pond Inflow Summary	99
	Pond Inflow Summary	100
	Pond Inflow Summary	100

Subsection: Master Network Summary

**Catchments Summary**

Label	Scenario	Return Event (years)	Hydrograph Volume (ft <sup>3</sup> )	Time to Peak (min)	Peak Flow (ft <sup>3</sup> /s)
Site Runoff	2 Year 20 Min	0	38,580.000	5	32.15
Site Runoff	15 Year 20 Min	0	62,256.000	5	51.88
Site Runoff	25 Year 20 Min	0	76,824.000	5	64.02
Site Runoff	100 Year 20 Min	0	98,292.000	5	81.91
Site Runoff	100 Yr LFB	0	98,292.000	5	81.91

**Node Summary**

Label	Scenario	Return Event (years)	Hydrograph Volume (ft <sup>3</sup> )	Time to Peak (min)	Peak Flow (ft <sup>3</sup> /s)
Out 10	2 Year 20 Min	0	0.000	0	0.00
Out 10	15 Year 20 Min	0	0.000	0	0.00
Out 10	25 Year 20 Min	0	0.000	0	0.00
Out 10	100 Year 20 Min	0	0.000	0	0.00
Out 10	100 Yr LFB	0	0.000	0	0.00

**Pond Summary**

Label	Scenario	Return Event (years)	Hydrograph Volume (ft <sup>3</sup> )	Time to Peak (min)	Peak Flow (ft <sup>3</sup> /s)	Maximum Water Surface Elevation (ft)	Maximum Pond Storage (ft <sup>3</sup> )
Basin (IN)	2 Year 20 Min	0	38,580.000	5	32.15	(N/A)	(N/A)
Basin (OUT)	2 Year 20 Min	0	0.000	0	0.00	489.20	463,830.000
Basin (IN)	15 Year 20 Min	0	62,256.000	5	51.88	(N/A)	(N/A)
Basin (OUT)	15 Year 20 Min	0	0.000	0	0.00	489.61	487,506.000
Basin (IN)	25 Year 20 Min	0	76,824.000	5	64.02	(N/A)	(N/A)
Basin (OUT)	25 Year 20 Min	0	0.000	0	0.00	489.87	502,074.000
Basin (IN)	100 Year 20 Min	0	98,292.000	5	81.91	(N/A)	(N/A)
Basin (OUT)	100 Year 20 Min	0	0.000	0	0.00	490.23	523,542.000
Basin (IN)	100 Yr LFB	0	98,292.000	5	81.91	(N/A)	(N/A)
Basin (OUT)	100 Yr LFB	0	0.000	0	0.00	495.33	868,096.000

Subsection: Read Hydrograph  
 Label: Site Runoff

Return Event: 2 years  
 Storm Event:

Peak Discharge	32.15 ft <sup>3</sup> /s
Time to Peak	11 min
Hydrograph Volume	38,580.000 ft <sup>3</sup>

**HYDROGRAPH ORDINATES (ft<sup>3</sup>/s)**

**Output Time Increment = 1 min**

**Time on left represents time for first value in each row.**

Time (min)	Flow (ft <sup>3</sup> /s)	Flow (ft <sup>3</sup> /s)	Flow (ft <sup>3</sup> /s)	Flow (ft <sup>3</sup> /s)	Flow (ft <sup>3</sup> /s)
0	0.00	6.43	12.86	19.29	25.72
5	32.15	32.15	32.15	32.15	32.15
10	32.15	32.15	32.15	32.15	32.15
15	32.15	32.15	32.15	32.15	32.15
20	32.15	25.72	19.29	12.86	6.43
25	0.00	0.00	0.00	0.00	0.00
30	0.00	0.00	0.00	0.00	0.00
35	0.00	0.00	0.00	0.00	0.00
40	0.00	0.00	0.00	0.00	0.00
45	0.00	0.00	0.00	0.00	0.00
50	0.00	0.00	0.00	0.00	0.00
55	0.00	0.00	0.00	0.00	0.00
60	0.00	0.00	0.00	0.00	0.00
65	0.00	0.00	0.00	0.00	0.00
70	0.00	0.00	0.00	0.00	0.00
75	0.00	0.00	0.00	0.00	0.00
80	0.00	0.00	0.00	0.00	0.00
85	0.00	0.00	0.00	0.00	0.00
90	0.00	(N/A)	(N/A)	(N/A)	(N/A)

Subsection: Read Hydrograph  
 Label: Site Runoff

Return Event: 15 years  
 Storm Event:

Peak Discharge	51.88 ft <sup>3</sup> /s
Time to Peak	11 min
Hydrograph Volume	62,256.000 ft <sup>3</sup>

**HYDROGRAPH ORDINATES (ft<sup>3</sup>/s)**

**Output Time Increment = 1 min**

**Time on left represents time for first value in each row.**

Time (min)	Flow (ft <sup>3</sup> /s)	Flow (ft <sup>3</sup> /s)	Flow (ft <sup>3</sup> /s)	Flow (ft <sup>3</sup> /s)	Flow (ft <sup>3</sup> /s)
0	0.00	10.38	20.75	31.13	41.50
5	51.88	51.88	51.88	51.88	51.88
10	51.88	51.88	51.88	51.88	51.88
15	51.88	51.88	51.88	51.88	51.88
20	51.88	41.50	31.13	20.75	10.38
25	0.00	0.00	0.00	0.00	0.00
30	0.00	0.00	0.00	0.00	0.00
35	0.00	0.00	0.00	0.00	0.00
40	0.00	0.00	0.00	0.00	0.00
45	0.00	0.00	0.00	0.00	0.00
50	0.00	0.00	0.00	0.00	0.00
55	0.00	0.00	0.00	0.00	0.00
60	0.00	0.00	0.00	0.00	0.00
65	0.00	0.00	0.00	0.00	0.00
70	0.00	0.00	0.00	0.00	0.00
75	0.00	0.00	0.00	0.00	0.00
80	0.00	0.00	0.00	0.00	0.00
85	0.00	0.00	0.00	0.00	0.00
90	0.00	(N/A)	(N/A)	(N/A)	(N/A)

Subsection: Read Hydrograph  
 Label: Site Runoff

Return Event: 25 years  
 Storm Event:

Peak Discharge	64.02 ft <sup>3</sup> /s
Time to Peak	11 min
Hydrograph Volume	76,824.000 ft <sup>3</sup>

**HYDROGRAPH ORDINATES (ft<sup>3</sup>/s)**

**Output Time Increment = 1 min**

**Time on left represents time for first value in each row.**

Time (min)	Flow (ft <sup>3</sup> /s)	Flow (ft <sup>3</sup> /s)	Flow (ft <sup>3</sup> /s)	Flow (ft <sup>3</sup> /s)	Flow (ft <sup>3</sup> /s)
0	0.00	12.80	25.61	38.41	51.22
5	64.02	64.02	64.02	64.02	64.02
10	64.02	64.02	64.02	64.02	64.02
15	64.02	64.02	64.02	64.02	64.02
20	64.02	51.22	38.41	25.61	12.80
25	0.00	0.00	0.00	0.00	0.00
30	0.00	0.00	0.00	0.00	0.00
35	0.00	0.00	0.00	0.00	0.00
40	0.00	0.00	0.00	0.00	0.00
45	0.00	0.00	0.00	0.00	0.00
50	0.00	0.00	0.00	0.00	0.00
55	0.00	0.00	0.00	0.00	0.00
60	0.00	0.00	0.00	0.00	0.00
65	0.00	0.00	0.00	0.00	0.00
70	0.00	0.00	0.00	0.00	0.00
75	0.00	0.00	0.00	0.00	0.00
80	0.00	0.00	0.00	0.00	0.00
85	0.00	0.00	0.00	0.00	0.00
90	0.00	(N/A)	(N/A)	(N/A)	(N/A)

Subsection: Read Hydrograph  
 Label: Site Runoff

Return Event: 100 years  
 Storm Event:

Peak Discharge	81.91 ft <sup>3</sup> /s
Time to Peak	11 min
Hydrograph Volume	98,292.000 ft <sup>3</sup>

**HYDROGRAPH ORDINATES (ft<sup>3</sup>/s)**

**Output Time Increment = 1 min**

**Time on left represents time for first value in each row.**

Time (min)	Flow (ft <sup>3</sup> /s)	Flow (ft <sup>3</sup> /s)	Flow (ft <sup>3</sup> /s)	Flow (ft <sup>3</sup> /s)	Flow (ft <sup>3</sup> /s)
0	0.00	16.38	32.76	49.15	65.53
5	81.91	81.91	81.91	81.91	81.91
10	81.91	81.91	81.91	81.91	81.91
15	81.91	81.91	81.91	81.91	81.91
20	81.91	65.53	49.15	32.76	16.38
25	0.00	0.00	0.00	0.00	0.00
30	0.00	0.00	0.00	0.00	0.00
35	0.00	0.00	0.00	0.00	0.00
40	0.00	0.00	0.00	0.00	0.00
45	0.00	0.00	0.00	0.00	0.00
50	0.00	0.00	0.00	0.00	0.00
55	0.00	0.00	0.00	0.00	0.00
60	0.00	0.00	0.00	0.00	0.00
65	0.00	0.00	0.00	0.00	0.00
70	0.00	0.00	0.00	0.00	0.00
75	0.00	0.00	0.00	0.00	0.00
80	0.00	0.00	0.00	0.00	0.00
85	0.00	0.00	0.00	0.00	0.00
90	0.00	(N/A)	(N/A)	(N/A)	(N/A)



Subsection: Elevation-Area Volume Curve  
 Label: Basin

Return Event: 2 years  
 Storm Event:

Elevation (ft)	Planimeter (ft <sup>2</sup> )	Area (ft <sup>2</sup> )	A1+A2+sqr (A1*A2) (ft <sup>2</sup> )	Volume (ft <sup>3</sup> )	Volume (Total) (ft <sup>3</sup> )
478.00	0.00	28,132.00	0.00	0.000	0.000
479.00	0.00	30,262.00	87,571.57	29,191.000	29,191.000
480.00	0.00	32,466.00	94,072.63	31,358.000	60,548.000
481.00	0.00	34,750.00	100,804.59	33,602.000	94,150.000
482.00	0.00	37,098.00	107,752.81	35,918.000	130,067.000
483.00	0.00	39,528.00	114,919.73	38,307.000	168,374.000
484.00	0.00	42,035.00	122,325.23	40,775.000	209,149.000
485.00	0.00	44,619.00	129,961.73	43,321.000	252,469.000
486.00	0.00	47,278.00	137,826.26	45,942.000	298,412.000
487.00	0.00	50,018.00	145,924.71	48,642.000	347,053.000
488.00	0.00	52,836.00	154,261.69	51,421.000	398,474.000
489.00	0.00	55,732.00	162,832.68	54,278.000	452,751.000
490.00	0.00	58,711.00	171,645.11	57,215.000	509,966.000
491.00	0.00	61,769.00	180,700.59	60,234.000	570,200.000
492.00	0.00	64,907.00	189,994.56	63,332.000	633,531.000
493.00	0.00	68,125.00	199,528.54	66,510.000	700,041.000
494.00	0.00	71,416.00	209,292.09	69,764.000	769,805.000
495.00	0.00	74,769.00	219,258.27	73,086.000	842,891.000
496.00	0.00	78,204.00	229,440.21	76,480.000	919,371.000
497.00	0.00	81,670.00	239,792.21	79,931.000	999,302.000

Subsection: Volume Equations  
Label: Basin

Return Event: 2 years  
Storm Event:

### Pond Volume Equations

\* Incremental volume computed by the Conic Method for Reservoir Volumes.

$$\text{Volume} = (1/3) * (\text{EL2} - \text{EL1}) * (\text{Area1} + \text{Area2} + \text{sqr}(\text{Area1} * \text{Area2}))$$

where:    EL1, EL2            Lower and upper elevations of the increment  
          Area1, Area2       Areas computed for EL1, EL2, respectively  
          Volume            Incremental volume between EL1 and EL2

Subsection: Outlet Input Data  
 Label: LFB

Return Event: 100 years  
 Storm Event:

Requested Pond Water Surface Elevations	
Minimum (Headwater)	478.00 ft
Increment (Headwater)	0.05 ft
Maximum (Headwater)	497.00 ft

**Outlet Connectivity**

Structure Type	Outlet ID	Direction	Outfall	E1 (ft)	E2 (ft)
Inlet Box	Riser - 1	Forward + Reverse	Culvert - 1	494.00	497.00
Culvert-Circular	Culvert - 1	Forward	TW	483.85	497.00
Tailwater Settings	Tailwater			(N/A)	(N/A)

Subsection: Outlet Input Data  
 Label: LFB

Return Event: 100 years  
 Storm Event:

---

Structure ID: Riser - 1  
 Structure Type: Inlet Box

---

Number of Openings	1
Elevation	494.00 ft
Orifice Area	21.06 ft <sup>2</sup>
Orifice Coefficient	0.600
Weir Length	18.76 ft
Weir Coefficient	3.00 (ft <sup>0.5</sup> )/s
K Reverse	1.000
Manning's n	0.000
Kev, Charged Riser	0.000
Weir Submergence	False
Orifice H to crest	False

---



---

Structure ID: Culvert - 1  
 Structure Type: Culvert-Circular

---

Number of Barrels	1
Diameter	42.0 in
Length	75.25 ft
Length (Computed Barrel)	75.25 ft
Slope (Computed)	0.010 ft/ft

---



---

Outlet Control Data

---

Manning's n	0.013
Ke	0.200
Kb	0.006
Kr	0.000
Convergence Tolerance	0.00 ft

---



---

Inlet Control Data

---

Equation Form	Form 1
K	0.0045
M	2.0000
C	0.0317
Y	0.6900
T1 ratio (HW/D)	1.090
T2 ratio (HW/D)	1.192
Slope Correction Factor	-0.500

---

Subsection: Outlet Input Data  
Label: LFB

Return Event: 100 years  
Storm Event:

---

Use unsubmerged inlet control 0 equation below T1 elevation.

Use submerged inlet control 0 equation above T2 elevation

In transition zone between unsubmerged and submerged inlet control, interpolate between flows at T1 & T2...

---

T1 Elevation	487.67 ft	T1 Flow	63.00 ft <sup>3</sup> /s
T2 Elevation	488.02 ft	T2 Flow	72.00 ft <sup>3</sup> /s

---

Subsection: Composite Rating Curve  
 Label: LFB

Return Event: 100 years  
 Storm Event:

Composite Outflow Summary

Water Surface Elevation (ft)	Flow (ft <sup>3</sup> /s)	Tailwater Elevation (ft)	Convergence Error (ft)
478.00	0.00	495.80	0.00
478.05	0.00	495.80	0.00
478.10	0.00	495.80	0.00
478.15	0.00	495.80	0.00
478.20	0.00	495.80	0.00
478.25	0.00	495.80	0.00
478.30	0.00	495.80	0.00
478.35	0.00	495.80	0.00
478.40	0.00	495.80	0.00
478.45	0.00	495.80	0.00
478.50	0.00	495.80	0.00
478.55	0.00	495.80	0.00
478.60	0.00	495.80	0.00
478.65	0.00	495.80	0.00
478.70	0.00	495.80	0.00
478.75	0.00	495.80	0.00
478.80	0.00	495.80	0.00
478.85	0.00	495.80	0.00
478.90	0.00	495.80	0.00
478.95	0.00	495.80	0.00
479.00	0.00	495.80	0.00
479.05	0.00	495.80	0.00
479.10	0.00	495.80	0.00
479.15	0.00	495.80	0.00
479.20	0.00	495.80	0.00
479.25	0.00	495.80	0.00
479.30	0.00	495.80	0.00
479.35	0.00	495.80	0.00
479.40	0.00	495.80	0.00
479.45	0.00	495.80	0.00
479.50	0.00	495.80	0.00
479.55	0.00	495.80	0.00
479.60	0.00	495.80	0.00
479.65	0.00	495.80	0.00
479.70	0.00	495.80	0.00
479.75	0.00	495.80	0.00
479.80	0.00	495.80	0.00
479.85	0.00	495.80	0.00
479.90	0.00	495.80	0.00
479.95	0.00	495.80	0.00
480.00	0.00	495.80	0.00
480.05	0.00	495.80	0.00
480.10	0.00	495.80	0.00
480.15	0.00	495.80	0.00

Subsection: Composite Rating Curve  
 Label: LFB

Return Event: 100 years  
 Storm Event:

Composite Outflow Summary

Water Surface Elevation (ft)	Flow (ft <sup>3</sup> /s)	Tailwater Elevation (ft)	Convergence Error (ft)
480.20	0.00	495.80	0.00
480.25	0.00	495.80	0.00
480.30	0.00	495.80	0.00
480.35	0.00	495.80	0.00
480.40	0.00	495.80	0.00
480.45	0.00	495.80	0.00
480.50	0.00	495.80	0.00
480.55	0.00	495.80	0.00
480.60	0.00	495.80	0.00
480.65	0.00	495.80	0.00
480.70	0.00	495.80	0.00
480.75	0.00	495.80	0.00
480.80	0.00	495.80	0.00
480.85	0.00	495.80	0.00
480.90	0.00	495.80	0.00
480.95	0.00	495.80	0.00
481.00	0.00	495.80	0.00
481.05	0.00	495.80	0.00
481.10	0.00	495.80	0.00
481.15	0.00	495.80	0.00
481.20	0.00	495.80	0.00
481.25	0.00	495.80	0.00
481.30	0.00	495.80	0.00
481.35	0.00	495.80	0.00
481.40	0.00	495.80	0.00
481.45	0.00	495.80	0.00
481.50	0.00	495.80	0.00
481.55	0.00	495.80	0.00
481.60	0.00	495.80	0.00
481.65	0.00	495.80	0.00
481.70	0.00	495.80	0.00
481.75	0.00	495.80	0.00
481.80	0.00	495.80	0.00
481.85	0.00	495.80	0.00
481.90	0.00	495.80	0.00
481.95	0.00	495.80	0.00
482.00	0.00	495.80	0.00
482.05	0.00	495.80	0.00
482.10	0.00	495.80	0.00
482.15	0.00	495.80	0.00
482.20	0.00	495.80	0.00
482.25	0.00	495.80	0.00
482.30	0.00	495.80	0.00
482.35	0.00	495.80	0.00

Subsection: Composite Rating Curve  
 Label: LFB

Return Event: 100 years  
 Storm Event:

Composite Outflow Summary

Water Surface Elevation (ft)	Flow (ft <sup>3</sup> /s)	Tailwater Elevation (ft)	Convergence Error (ft)
482.40	0.00	495.80	0.00
482.45	0.00	495.80	0.00
482.50	0.00	495.80	0.00
482.55	0.00	495.80	0.00
482.60	0.00	495.80	0.00
482.65	0.00	495.80	0.00
482.70	0.00	495.80	0.00
482.75	0.00	495.80	0.00
482.80	0.00	495.80	0.00
482.85	0.00	495.80	0.00
482.90	0.00	495.80	0.00
482.95	0.00	495.80	0.00
483.00	0.00	495.80	0.00
483.05	0.00	495.80	0.00
483.10	0.00	495.80	0.00
483.15	0.00	495.80	0.00
483.20	0.00	495.80	0.00
483.25	0.00	495.80	0.00
483.30	0.00	495.80	0.00
483.35	0.00	495.80	0.00
483.40	0.00	495.80	0.00
483.45	0.00	495.80	0.00
483.50	0.00	495.80	0.00
483.55	0.00	495.80	0.00
483.60	0.00	495.80	0.00
483.65	0.00	495.80	0.00
483.70	0.00	495.80	0.00
483.75	0.00	495.80	0.00
483.80	0.00	495.80	0.00
483.85	0.00	495.80	0.00
483.90	0.00	495.80	0.00
483.95	0.00	495.80	0.00
484.00	0.00	495.80	0.00
484.05	0.00	495.80	0.00
484.10	0.00	495.80	0.00
484.15	0.00	495.80	0.00
484.20	0.00	495.80	0.00
484.25	0.00	495.80	0.00
484.30	0.00	495.80	0.00
484.35	0.00	495.80	0.00
484.40	0.00	495.80	0.00
484.45	0.00	495.80	0.00
484.50	0.00	495.80	0.00
484.55	0.00	495.80	0.00



Subsection: Composite Rating Curve  
 Label: LFB

Return Event: 100 years  
 Storm Event:

Composite Outflow Summary

Water Surface Elevation (ft)	Flow (ft <sup>3</sup> /s)	Tailwater Elevation (ft)	Convergence Error (ft)
484.60	0.00	495.80	0.00
484.65	0.00	495.80	0.00
484.70	0.00	495.80	0.00
484.75	0.00	495.80	0.00
484.80	0.00	495.80	0.00
484.85	0.00	495.80	0.00
484.90	0.00	495.80	0.00
484.95	0.00	495.80	0.00
485.00	0.00	495.80	0.00
485.05	0.00	495.80	0.00
485.10	0.00	495.80	0.00
485.15	0.00	495.80	0.00
485.20	0.00	495.80	0.00
485.25	0.00	495.80	0.00
485.30	0.00	495.80	0.00
485.35	0.00	495.80	0.00
485.40	0.00	495.80	0.00
485.45	0.00	495.80	0.00
485.50	0.00	495.80	0.00
485.55	0.00	495.80	0.00
485.60	0.00	495.80	0.00
485.65	0.00	495.80	0.00
485.70	0.00	495.80	0.00
485.75	0.00	495.80	0.00
485.80	0.00	495.80	0.00
485.85	0.00	495.80	0.00
485.90	0.00	495.80	0.00
485.95	0.00	495.80	0.00
486.00	0.00	495.80	0.00
486.05	0.00	495.80	0.00
486.10	0.00	495.80	0.00
486.15	0.00	495.80	0.00
486.20	0.00	495.80	0.00
486.25	0.00	495.80	0.00
486.30	0.00	495.80	0.00
486.35	0.00	495.80	0.00
486.40	0.00	495.80	0.00
486.45	0.00	495.80	0.00
486.50	0.00	495.80	0.00
486.55	0.00	495.80	0.00
486.60	0.00	495.80	0.00
486.65	0.00	495.80	0.00
486.70	0.00	495.80	0.00
486.75	0.00	495.80	0.00

Subsection: Composite Rating Curve  
 Label: LFB

Return Event: 100 years  
 Storm Event:

Composite Outflow Summary

Water Surface Elevation (ft)	Flow (ft <sup>3</sup> /s)	Tailwater Elevation (ft)	Convergence Error (ft)
486.80	0.00	495.80	0.00
486.85	0.00	495.80	0.00
486.90	0.00	495.80	0.00
486.95	0.00	495.80	0.00
487.00	0.00	495.80	0.00
487.05	0.00	495.80	0.00
487.10	0.00	495.80	0.00
487.15	0.00	495.80	0.00
487.20	0.00	495.80	0.00
487.25	0.00	495.80	0.00
487.30	0.00	495.80	0.00
487.35	0.00	495.80	0.00
487.40	0.00	495.80	0.00
487.45	0.00	495.80	0.00
487.50	0.00	495.80	0.00
487.55	0.00	495.80	0.00
487.60	0.00	495.80	0.00
487.65	0.00	495.80	0.00
487.70	0.00	495.80	0.00
487.75	0.00	495.80	0.00
487.80	0.00	495.80	0.00
487.85	0.00	495.80	0.00
487.90	0.00	495.80	0.00
487.95	0.00	495.80	0.00
488.00	0.00	495.80	0.00
488.05	0.00	495.80	0.00
488.10	0.00	495.80	0.00
488.15	0.00	495.80	0.00
488.20	0.00	495.80	0.00
488.25	0.00	495.80	0.00
488.30	0.00	495.80	0.00
488.35	0.00	495.80	0.00
488.40	0.00	495.80	0.00
488.45	0.00	495.80	0.00
488.50	0.00	495.80	0.00
488.55	0.00	495.80	0.00
488.60	0.00	495.80	0.00
488.65	0.00	495.80	0.00
488.70	0.00	495.80	0.00
488.75	0.00	495.80	0.00
488.80	0.00	495.80	0.00
488.85	0.00	495.80	0.00
488.90	0.00	495.80	0.00
488.95	0.00	495.80	0.00

Subsection: Composite Rating Curve  
 Label: LFB

Return Event: 100 years  
 Storm Event:

Composite Outflow Summary

Water Surface Elevation (ft)	Flow (ft <sup>3</sup> /s)	Tailwater Elevation (ft)	Convergence Error (ft)
489.00	0.00	495.80	0.00
489.05	0.00	495.80	0.00
489.10	0.00	495.80	0.00
489.15	0.00	495.80	0.00
489.20	0.00	495.80	0.00
489.25	0.00	495.80	0.00
489.30	0.00	495.80	0.00
489.35	0.00	495.80	0.00
489.40	0.00	495.80	0.00
489.45	0.00	495.80	0.00
489.50	0.00	495.80	0.00
489.55	0.00	495.80	0.00
489.60	0.00	495.80	0.00
489.65	0.00	495.80	0.00
489.70	0.00	495.80	0.00
489.75	0.00	495.80	0.00
489.80	0.00	495.80	0.00
489.85	0.00	495.80	0.00
489.90	0.00	495.80	0.00
489.95	0.00	495.80	0.00
490.00	0.00	495.80	0.00
490.05	0.00	495.80	0.00
490.10	0.00	495.80	0.00
490.15	0.00	495.80	0.00
490.20	0.00	495.80	0.00
490.25	0.00	495.80	0.00
490.30	0.00	495.80	0.00
490.35	0.00	495.80	0.00
490.40	0.00	495.80	0.00
490.45	0.00	495.80	0.00
490.50	0.00	495.80	0.00
490.55	0.00	495.80	0.00
490.60	0.00	495.80	0.00
490.65	0.00	495.80	0.00
490.70	0.00	495.80	0.00
490.75	0.00	495.80	0.00
490.80	0.00	495.80	0.00
490.85	0.00	495.80	0.00
490.90	0.00	495.80	0.00
490.95	0.00	495.80	0.00
491.00	0.00	495.80	0.00
491.05	0.00	495.80	0.00
491.10	0.00	495.80	0.00
491.15	0.00	495.80	0.00

Subsection: Composite Rating Curve  
 Label: LFB

Return Event: 100 years  
 Storm Event:

Composite Outflow Summary

Water Surface Elevation (ft)	Flow (ft <sup>3</sup> /s)	Tailwater Elevation (ft)	Convergence Error (ft)
491.20	0.00	495.80	0.00
491.25	0.00	495.80	0.00
491.30	0.00	495.80	0.00
491.35	0.00	495.80	0.00
491.40	0.00	495.80	0.00
491.45	0.00	495.80	0.00
491.50	0.00	495.80	0.00
491.55	0.00	495.80	0.00
491.60	0.00	495.80	0.00
491.65	0.00	495.80	0.00
491.70	0.00	495.80	0.00
491.75	0.00	495.80	0.00
491.80	0.00	495.80	0.00
491.85	0.00	495.80	0.00
491.90	0.00	495.80	0.00
491.95	0.00	495.80	0.00
492.00	0.00	495.80	0.00
492.05	0.00	495.80	0.00
492.10	0.00	495.80	0.00
492.15	0.00	495.80	0.00
492.20	0.00	495.80	0.00
492.25	0.00	495.80	0.00
492.30	0.00	495.80	0.00
492.35	0.00	495.80	0.00
492.40	0.00	495.80	0.00
492.45	0.00	495.80	0.00
492.50	0.00	495.80	0.00
492.55	0.00	495.80	0.00
492.60	0.00	495.80	0.00
492.65	0.00	495.80	0.00
492.70	0.00	495.80	0.00
492.75	0.00	495.80	0.00
492.80	0.00	495.80	0.00
492.85	0.00	495.80	0.00
492.90	0.00	495.80	0.00
492.95	0.00	495.80	0.00
493.00	0.00	495.80	0.00
493.05	0.00	495.80	0.00
493.10	0.00	495.80	0.00
493.15	0.00	495.80	0.00
493.20	0.00	495.80	0.00
493.25	0.00	495.80	0.00
493.30	0.00	495.80	0.00
493.35	0.00	495.80	0.00

Subsection: Composite Rating Curve  
 Label: LFB

Return Event: 100 years  
 Storm Event:

Composite Outflow Summary

Water Surface Elevation (ft)	Flow (ft <sup>3</sup> /s)	Tailwater Elevation (ft)	Convergence Error (ft)
493.40	0.00	495.80	0.00
493.45	0.00	495.80	0.00
493.50	0.00	495.80	0.00
493.55	0.00	495.80	0.00
493.60	0.00	495.80	0.00
493.65	0.00	495.80	0.00
493.70	0.00	495.80	0.00
493.75	0.00	495.80	0.00
493.80	0.00	495.80	0.00
493.85	0.00	495.80	0.00
493.90	0.00	495.80	0.00
493.95	0.00	495.80	0.00
494.00	0.00	495.80	0.00
494.05	0.00	495.80	0.00
494.10	0.00	495.80	0.00
494.15	0.00	495.80	0.00
494.20	0.00	495.80	0.00
494.25	0.00	495.80	0.00
494.30	0.00	495.80	0.00
494.35	0.00	495.80	0.00
494.40	0.00	495.80	0.00
494.45	0.00	495.80	0.00
494.50	0.00	495.80	0.00
494.55	0.00	495.80	0.00
494.60	0.00	495.80	0.00
494.65	0.00	495.80	0.00
494.70	0.00	495.80	0.00
494.75	0.00	495.80	0.00
494.80	0.00	495.80	0.00
494.85	0.00	495.80	0.00
494.90	0.00	495.80	0.00
494.95	0.00	495.80	0.00
495.00	0.00	495.80	0.00
495.05	0.00	495.80	0.00
495.10	0.00	495.80	0.00
495.15	0.00	495.80	0.00
495.20	0.00	495.80	0.00
495.25	0.00	495.80	0.00
495.30	0.00	495.80	0.00
495.35	0.00	495.80	0.00
495.40	0.00	495.80	0.00
495.45	0.00	495.80	0.00
495.50	0.00	495.80	0.00
495.55	0.00	495.80	0.00

Subsection: Composite Rating Curve  
 Label: LFB

Return Event: 100 years  
 Storm Event:

Composite Outflow Summary

Water Surface Elevation (ft)	Flow (ft <sup>3</sup> /s)	Tailwater Elevation (ft)	Convergence Error (ft)
495.60	0.00	495.80	0.00
495.65	0.00	495.80	0.00
495.70	0.00	495.80	0.00
495.75	0.00	495.80	0.00
495.80	0.00	495.80	0.00
495.85	13.41	495.80	0.00
495.90	19.02	495.80	0.00
495.95	23.34	495.80	0.00
496.00	26.86	495.80	0.00
496.05	30.07	495.80	0.00
496.10	32.96	495.80	0.00
496.15	35.62	495.80	0.00
496.20	38.12	495.80	0.00
496.25	40.39	495.80	0.00
496.30	42.58	495.80	0.00
496.35	44.62	495.80	0.00
496.40	46.66	495.80	0.00
496.45	48.54	495.80	0.00
496.50	50.35	495.80	0.00
496.55	52.17	495.80	0.00
496.60	53.82	495.80	0.00
496.65	55.48	495.80	0.00
496.70	57.11	495.80	0.00
496.75	58.66	495.80	0.00
496.80	60.21	495.80	0.00
496.85	61.69	495.80	0.00
496.90	63.12	495.80	0.00
496.95	64.57	495.80	0.00
497.00	65.97	495.80	0.00

Contributing Structures

(no Q: Riser - 1,Culvert - 1)
(no Q: Riser - 1,Culvert - 1)
(no Q: Riser - 1,Culvert - 1)
(no Q: Riser - 1,Culvert - 1)
(no Q: Riser - 1,Culvert - 1)
(no Q: Riser - 1,Culvert - 1)
(no Q: Riser - 1,Culvert - 1)
(no Q: Riser - 1,Culvert - 1)
(no Q: Riser - 1,Culvert - 1)
(no Q: Riser - 1,Culvert - 1)
(no Q: Riser - 1,Culvert - 1)
(no Q: Riser - 1,Culvert - 1)
(no Q: Riser - 1,Culvert - 1)
(no Q: Riser - 1,Culvert - 1)
(no Q: Riser - 1,Culvert - 1)













Subsection: Composite Rating Curve  
Label: LFB

Return Event: 100 years  
Storm Event:

Composite Outflow Summary

Contributing Structures
(no Q: Riser - 1,Culvert - 1)
(no Q: Riser - 1,Culvert - 1)
(no Q: Riser - 1,Culvert - 1)
(no Q: Riser - 1,Culvert - 1)
(no Q: Riser - 1,Culvert - 1)
(no Q: Riser - 1,Culvert - 1)
(no Q: Riser - 1,Culvert - 1)
(no Q: Riser - 1,Culvert - 1)
(no Q: Riser - 1,Culvert - 1)
(no Q: Riser - 1,Culvert - 1)
(no Q: Riser - 1,Culvert - 1)
(no Q: Riser - 1,Culvert - 1)
(no Q: Riser - 1,Culvert - 1)
(no Q: Riser - 1,Culvert - 1)
(no Q: Riser - 1,Culvert - 1)
(no Q: Riser - 1,Culvert - 1)
(no Q: Riser - 1,Culvert - 1)
(no Q: Riser - 1,Culvert - 1)
(no Q: Riser - 1,Culvert - 1)
(no Q: Riser - 1,Culvert - 1)
(no Q: Riser - 1,Culvert - 1)
(no Q: Riser - 1,Culvert - 1)
(no Q: Riser - 1,Culvert - 1)
(no Q: Riser - 1,Culvert - 1)
(no Q: Riser - 1,Culvert - 1)
(no Q: Riser - 1,Culvert - 1)
(no Q: Riser - 1,Culvert - 1)
(no Q: Riser - 1,Culvert - 1)
(no Q: Riser - 1,Culvert - 1)
(no Q: Riser - 1,Culvert - 1)
(no Q: Riser - 1,Culvert - 1)
(no Q: Riser - 1,Culvert - 1)
(no Q: Riser - 1,Culvert - 1)
(no Q: Riser - 1,Culvert - 1)
(no Q: Riser - 1,Culvert - 1)
(no Q: Riser - 1,Culvert - 1)
(no Q: Riser - 1,Culvert - 1)
(no Q: Riser - 1,Culvert - 1)
(no Q: Riser - 1,Culvert - 1)
(no Q: Riser - 1,Culvert - 1)
(no Q: Riser - 1,Culvert - 1)
(no Q: Riser - 1,Culvert - 1)
(no Q: Riser - 1,Culvert - 1)
(no Q: Riser - 1,Culvert - 1)





Subsection: Outlet Input Data  
 Label: OS 101

Return Event: 2 years  
 Storm Event:

Requested Pond Water Surface Elevations	
Minimum (Headwater)	478.00 ft
Increment (Headwater)	0.05 ft
Maximum (Headwater)	497.00 ft

**Outlet Connectivity**

Structure Type	Outlet ID	Direction	Outfall	E1 (ft)	E2 (ft)
Rectangular Weir	Weir - 1	Forward + Reverse	Culvert - 1	488.50	490.50
Inlet Box	Riser - 1	Forward + Reverse	Culvert - 1	494.00	497.00
Orifice-Area	Orifice - 1	Forward + Reverse	Culvert - 1	490.50	497.00
Culvert-Circular Tailwater Settings	Culvert - 1 Tailwater	Forward	TW	483.85 (N/A)	497.00 (N/A)

Subsection: Outlet Input Data  
 Label: OS 101

Return Event: 2 years  
 Storm Event:

---

Structure ID: Weir - 1  
 Structure Type: Rectangular Weir

---

Number of Openings	1
Elevation	488.50 ft
Weir Length	2.00 ft
Weir Coefficient	3.00 (ft <sup>0.5</sup> )/s

---



---

Structure ID: Orifice - 1  
 Structure Type: Orifice-Area

---

Number of Openings	1
Elevation	488.50 ft
Orifice Area	4.00 ft <sup>2</sup>
Top Elevation	490.50 ft
Datum Elevation	489.50 ft
Orifice Coefficient	0.600

---



---

Structure ID: Riser - 1  
 Structure Type: Inlet Box

---

Number of Openings	1
Elevation	494.00 ft
Orifice Area	21.06 ft <sup>2</sup>
Orifice Coefficient	0.600
Weir Length	18.76 ft
Weir Coefficient	3.00 (ft <sup>0.5</sup> )/s
K Reverse	1.000
Manning's n	0.000
Kev, Charged Riser	0.000
Weir Submergence	False
Orifice H to crest	False

---



---

Structure ID: Culvert - 1  
 Structure Type: Culvert-Circular

---

Number of Barrels	1
Diameter	42.0 in
Length	75.25 ft
Length (Computed Barrel)	75.25 ft
Slope (Computed)	0.010 ft/ft

---



---

Outlet Control Data

---

Manning's n	0.013
Ke	0.200
Kb	0.006
Kr	0.000
Convergence Tolerance	0.00 ft

---



Subsection: Outlet Input Data  
 Label: OS 101

Return Event: 2 years  
 Storm Event:

---

Outlet Control Data

---



---

Inlet Control Data

---

Equation Form	Form 1
K	0.0045
M	2.0000
C	0.0317
Y	0.6900
T1 ratio (HW/D)	1.090
T2 ratio (HW/D)	1.192
Slope Correction Factor	-0.500

---

Use unsubmerged inlet control 0 equation below T1 elevation.

Use submerged inlet control 0 equation above T2 elevation

In transition zone between unsubmerged and submerged inlet control, interpolate between flows at T1 & T2...

---

T1 Elevation	487.67 ft	T1 Flow	63.00 ft <sup>3</sup> /s
T2 Elevation	488.02 ft	T2 Flow	72.00 ft <sup>3</sup> /s

---

Subsection: Composite Rating Curve  
 Label: OS 101

Return Event: 2 years  
 Storm Event:

Composite Outflow Summary

Water Surface Elevation (ft)	Flow (ft <sup>3</sup> /s)	Tailwater Elevation (ft)	Convergence Error (ft)
478.00	0.00	495.80	0.00
478.05	0.00	495.80	0.00
478.10	0.00	495.80	0.00
478.15	0.00	495.80	0.00
478.20	0.00	495.80	0.00
478.25	0.00	495.80	0.00
478.30	0.00	495.80	0.00
478.35	0.00	495.80	0.00
478.40	0.00	495.80	0.00
478.45	0.00	495.80	0.00
478.50	0.00	495.80	0.00
478.55	0.00	495.80	0.00
478.60	0.00	495.80	0.00
478.65	0.00	495.80	0.00
478.70	0.00	495.80	0.00
478.75	0.00	495.80	0.00
478.80	0.00	495.80	0.00
478.85	0.00	495.80	0.00
478.90	0.00	495.80	0.00
478.95	0.00	495.80	0.00
479.00	0.00	495.80	0.00
479.05	0.00	495.80	0.00
479.10	0.00	495.80	0.00
479.15	0.00	495.80	0.00
479.20	0.00	495.80	0.00
479.25	0.00	495.80	0.00
479.30	0.00	495.80	0.00
479.35	0.00	495.80	0.00
479.40	0.00	495.80	0.00
479.45	0.00	495.80	0.00
479.50	0.00	495.80	0.00
479.55	0.00	495.80	0.00
479.60	0.00	495.80	0.00
479.65	0.00	495.80	0.00
479.70	0.00	495.80	0.00
479.75	0.00	495.80	0.00
479.80	0.00	495.80	0.00
479.85	0.00	495.80	0.00
479.90	0.00	495.80	0.00
479.95	0.00	495.80	0.00
480.00	0.00	495.80	0.00
480.05	0.00	495.80	0.00
480.10	0.00	495.80	0.00
480.15	0.00	495.80	0.00

Subsection: Composite Rating Curve  
 Label: OS 101

Return Event: 2 years  
 Storm Event:

Composite Outflow Summary

Water Surface Elevation (ft)	Flow (ft <sup>3</sup> /s)	Tailwater Elevation (ft)	Convergence Error (ft)
480.20	0.00	495.80	0.00
480.25	0.00	495.80	0.00
480.30	0.00	495.80	0.00
480.35	0.00	495.80	0.00
480.40	0.00	495.80	0.00
480.45	0.00	495.80	0.00
480.50	0.00	495.80	0.00
480.55	0.00	495.80	0.00
480.60	0.00	495.80	0.00
480.65	0.00	495.80	0.00
480.70	0.00	495.80	0.00
480.75	0.00	495.80	0.00
480.80	0.00	495.80	0.00
480.85	0.00	495.80	0.00
480.90	0.00	495.80	0.00
480.95	0.00	495.80	0.00
481.00	0.00	495.80	0.00
481.05	0.00	495.80	0.00
481.10	0.00	495.80	0.00
481.15	0.00	495.80	0.00
481.20	0.00	495.80	0.00
481.25	0.00	495.80	0.00
481.30	0.00	495.80	0.00
481.35	0.00	495.80	0.00
481.40	0.00	495.80	0.00
481.45	0.00	495.80	0.00
481.50	0.00	495.80	0.00
481.55	0.00	495.80	0.00
481.60	0.00	495.80	0.00
481.65	0.00	495.80	0.00
481.70	0.00	495.80	0.00
481.75	0.00	495.80	0.00
481.80	0.00	495.80	0.00
481.85	0.00	495.80	0.00
481.90	0.00	495.80	0.00
481.95	0.00	495.80	0.00
482.00	0.00	495.80	0.00
482.05	0.00	495.80	0.00
482.10	0.00	495.80	0.00
482.15	0.00	495.80	0.00
482.20	0.00	495.80	0.00
482.25	0.00	495.80	0.00
482.30	0.00	495.80	0.00
482.35	0.00	495.80	0.00

Subsection: Composite Rating Curve  
 Label: OS 101

Return Event: 2 years  
 Storm Event:

Composite Outflow Summary

Water Surface Elevation (ft)	Flow (ft <sup>3</sup> /s)	Tailwater Elevation (ft)	Convergence Error (ft)
482.40	0.00	495.80	0.00
482.45	0.00	495.80	0.00
482.50	0.00	495.80	0.00
482.55	0.00	495.80	0.00
482.60	0.00	495.80	0.00
482.65	0.00	495.80	0.00
482.70	0.00	495.80	0.00
482.75	0.00	495.80	0.00
482.80	0.00	495.80	0.00
482.85	0.00	495.80	0.00
482.90	0.00	495.80	0.00
482.95	0.00	495.80	0.00
483.00	0.00	495.80	0.00
483.05	0.00	495.80	0.00
483.10	0.00	495.80	0.00
483.15	0.00	495.80	0.00
483.20	0.00	495.80	0.00
483.25	0.00	495.80	0.00
483.30	0.00	495.80	0.00
483.35	0.00	495.80	0.00
483.40	0.00	495.80	0.00
483.45	0.00	495.80	0.00
483.50	0.00	495.80	0.00
483.55	0.00	495.80	0.00
483.60	0.00	495.80	0.00
483.65	0.00	495.80	0.00
483.70	0.00	495.80	0.00
483.75	0.00	495.80	0.00
483.80	0.00	495.80	0.00
483.85	0.00	495.80	0.00
483.90	0.00	495.80	0.00
483.95	0.00	495.80	0.00
484.00	0.00	495.80	0.00
484.05	0.00	495.80	0.00
484.10	0.00	495.80	0.00
484.15	0.00	495.80	0.00
484.20	0.00	495.80	0.00
484.25	0.00	495.80	0.00
484.30	0.00	495.80	0.00
484.35	0.00	495.80	0.00
484.40	0.00	495.80	0.00
484.45	0.00	495.80	0.00
484.50	0.00	495.80	0.00
484.55	0.00	495.80	0.00

Subsection: Composite Rating Curve  
 Label: OS 101

Return Event: 2 years  
 Storm Event:

Composite Outflow Summary

Water Surface Elevation (ft)	Flow (ft <sup>3</sup> /s)	Tailwater Elevation (ft)	Convergence Error (ft)
484.60	0.00	495.80	0.00
484.65	0.00	495.80	0.00
484.70	0.00	495.80	0.00
484.75	0.00	495.80	0.00
484.80	0.00	495.80	0.00
484.85	0.00	495.80	0.00
484.90	0.00	495.80	0.00
484.95	0.00	495.80	0.00
485.00	0.00	495.80	0.00
485.05	0.00	495.80	0.00
485.10	0.00	495.80	0.00
485.15	0.00	495.80	0.00
485.20	0.00	495.80	0.00
485.25	0.00	495.80	0.00
485.30	0.00	495.80	0.00
485.35	0.00	495.80	0.00
485.40	0.00	495.80	0.00
485.45	0.00	495.80	0.00
485.50	0.00	495.80	0.00
485.55	0.00	495.80	0.00
485.60	0.00	495.80	0.00
485.65	0.00	495.80	0.00
485.70	0.00	495.80	0.00
485.75	0.00	495.80	0.00
485.80	0.00	495.80	0.00
485.85	0.00	495.80	0.00
485.90	0.00	495.80	0.00
485.95	0.00	495.80	0.00
486.00	0.00	495.80	0.00
486.05	0.00	495.80	0.00
486.10	0.00	495.80	0.00
486.15	0.00	495.80	0.00
486.20	0.00	495.80	0.00
486.25	0.00	495.80	0.00
486.30	0.00	495.80	0.00
486.35	0.00	495.80	0.00
486.40	0.00	495.80	0.00
486.45	0.00	495.80	0.00
486.50	0.00	495.80	0.00
486.55	0.00	495.80	0.00
486.60	0.00	495.80	0.00
486.65	0.00	495.80	0.00
486.70	0.00	495.80	0.00
486.75	0.00	495.80	0.00

Subsection: Composite Rating Curve  
 Label: OS 101

Return Event: 2 years  
 Storm Event:

Composite Outflow Summary

Water Surface Elevation (ft)	Flow (ft <sup>3</sup> /s)	Tailwater Elevation (ft)	Convergence Error (ft)
486.80	0.00	495.80	0.00
486.85	0.00	495.80	0.00
486.90	0.00	495.80	0.00
486.95	0.00	495.80	0.00
487.00	0.00	495.80	0.00
487.05	0.00	495.80	0.00
487.10	0.00	495.80	0.00
487.15	0.00	495.80	0.00
487.20	0.00	495.80	0.00
487.25	0.00	495.80	0.00
487.30	0.00	495.80	0.00
487.35	0.00	495.80	0.00
487.40	0.00	495.80	0.00
487.45	0.00	495.80	0.00
487.50	0.00	495.80	0.00
487.55	0.00	495.80	0.00
487.60	0.00	495.80	0.00
487.65	0.00	495.80	0.00
487.70	0.00	495.80	0.00
487.75	0.00	495.80	0.00
487.80	0.00	495.80	0.00
487.85	0.00	495.80	0.00
487.90	0.00	495.80	0.00
487.95	0.00	495.80	0.00
488.00	0.00	495.80	0.00
488.05	0.00	495.80	0.00
488.10	0.00	495.80	0.00
488.15	0.00	495.80	0.00
488.20	0.00	495.80	0.00
488.25	0.00	495.80	0.00
488.30	0.00	495.80	0.00
488.35	0.00	495.80	0.00
488.40	0.00	495.80	0.00
488.45	0.00	495.80	0.00
488.50	0.00	495.80	0.00
488.55	0.00	495.80	0.00
488.60	0.00	495.80	0.00
488.65	0.00	495.80	0.00
488.70	0.00	495.80	0.00
488.75	0.00	495.80	0.00
488.80	0.00	495.80	0.00
488.85	0.00	495.80	0.00
488.90	0.00	495.80	0.00
488.95	0.00	495.80	0.00

Subsection: Composite Rating Curve  
 Label: OS 101

Return Event: 2 years  
 Storm Event:

Composite Outflow Summary

Water Surface Elevation (ft)	Flow (ft <sup>3</sup> /s)	Tailwater Elevation (ft)	Convergence Error (ft)
489.00	0.00	495.80	0.00
489.05	0.00	495.80	0.00
489.10	0.00	495.80	0.00
489.15	0.00	495.80	0.00
489.20	0.00	495.80	0.00
489.25	0.00	495.80	0.00
489.30	0.00	495.80	0.00
489.35	0.00	495.80	0.00
489.40	0.00	495.80	0.00
489.45	0.00	495.80	0.00
489.50	0.00	495.80	0.00
489.55	0.00	495.80	0.00
489.60	0.00	495.80	0.00
489.65	0.00	495.80	0.00
489.70	0.00	495.80	0.00
489.75	0.00	495.80	0.00
489.80	0.00	495.80	0.00
489.85	0.00	495.80	0.00
489.90	0.00	495.80	0.00
489.95	0.00	495.80	0.00
490.00	0.00	495.80	0.00
490.05	0.00	495.80	0.00
490.10	0.00	495.80	0.00
490.15	0.00	495.80	0.00
490.20	0.00	495.80	0.00
490.25	0.00	495.80	0.00
490.30	0.00	495.80	0.00
490.35	0.00	495.80	0.00
490.40	0.00	495.80	0.00
490.45	0.00	495.80	0.00
490.50	0.00	495.80	0.00
490.55	0.00	495.80	0.00
490.60	0.00	495.80	0.00
490.65	0.00	495.80	0.00
490.70	0.00	495.80	0.00
490.75	0.00	495.80	0.00
490.80	0.00	495.80	0.00
490.85	0.00	495.80	0.00
490.90	0.00	495.80	0.00
490.95	0.00	495.80	0.00
491.00	0.00	495.80	0.00
491.05	0.00	495.80	0.00
491.10	0.00	495.80	0.00
491.15	0.00	495.80	0.00

Subsection: Composite Rating Curve  
 Label: OS 101

Return Event: 2 years  
 Storm Event:

Composite Outflow Summary

Water Surface Elevation (ft)	Flow (ft <sup>3</sup> /s)	Tailwater Elevation (ft)	Convergence Error (ft)
491.20	0.00	495.80	0.00
491.25	0.00	495.80	0.00
491.30	0.00	495.80	0.00
491.35	0.00	495.80	0.00
491.40	0.00	495.80	0.00
491.45	0.00	495.80	0.00
491.50	0.00	495.80	0.00
491.55	0.00	495.80	0.00
491.60	0.00	495.80	0.00
491.65	0.00	495.80	0.00
491.70	0.00	495.80	0.00
491.75	0.00	495.80	0.00
491.80	0.00	495.80	0.00
491.85	0.00	495.80	0.00
491.90	0.00	495.80	0.00
491.95	0.00	495.80	0.00
492.00	0.00	495.80	0.00
492.05	0.00	495.80	0.00
492.10	0.00	495.80	0.00
492.15	0.00	495.80	0.00
492.20	0.00	495.80	0.00
492.25	0.00	495.80	0.00
492.30	0.00	495.80	0.00
492.35	0.00	495.80	0.00
492.40	0.00	495.80	0.00
492.45	0.00	495.80	0.00
492.50	0.00	495.80	0.00
492.55	0.00	495.80	0.00
492.60	0.00	495.80	0.00
492.65	0.00	495.80	0.00
492.70	0.00	495.80	0.00
492.75	0.00	495.80	0.00
492.80	0.00	495.80	0.00
492.85	0.00	495.80	0.00
492.90	0.00	495.80	0.00
492.95	0.00	495.80	0.00
493.00	0.00	495.80	0.00
493.05	0.00	495.80	0.00
493.10	0.00	495.80	0.00
493.15	0.00	495.80	0.00
493.20	0.00	495.80	0.00
493.25	0.00	495.80	0.00
493.30	0.00	495.80	0.00
493.35	0.00	495.80	0.00



Subsection: Composite Rating Curve  
 Label: OS 101

Return Event: 2 years  
 Storm Event:

Composite Outflow Summary

Water Surface Elevation (ft)	Flow (ft <sup>3</sup> /s)	Tailwater Elevation (ft)	Convergence Error (ft)
493.40	0.00	495.80	0.00
493.45	0.00	495.80	0.00
493.50	0.00	495.80	0.00
493.55	0.00	495.80	0.00
493.60	0.00	495.80	0.00
493.65	0.00	495.80	0.00
493.70	0.00	495.80	0.00
493.75	0.00	495.80	0.00
493.80	0.00	495.80	0.00
493.85	0.00	495.80	0.00
493.90	0.00	495.80	0.00
493.95	0.00	495.80	0.00
494.00	0.00	495.80	0.00
494.05	0.00	495.80	0.00
494.10	0.00	495.80	0.00
494.15	0.00	495.80	0.00
494.20	0.00	495.80	0.00
494.25	0.00	495.80	0.00
494.30	0.00	495.80	0.00
494.35	0.00	495.80	0.00
494.40	0.00	495.80	0.00
494.45	0.00	495.80	0.00
494.50	0.00	495.80	0.00
494.55	0.00	495.80	0.00
494.60	0.00	495.80	0.00
494.65	0.00	495.80	0.00
494.70	0.00	495.80	0.00
494.75	0.00	495.80	0.00
494.80	0.00	495.80	0.00
494.85	0.00	495.80	0.00
494.90	0.00	495.80	0.00
494.95	0.00	495.80	0.00
495.00	0.00	495.80	0.00
495.05	0.00	495.80	0.00
495.10	0.00	495.80	0.00
495.15	0.00	495.80	0.00
495.20	0.00	495.80	0.00
495.25	0.00	495.80	0.00
495.30	0.00	495.80	0.00
495.35	0.00	495.80	0.00
495.40	0.00	495.80	0.00
495.45	0.00	495.80	0.00
495.50	0.00	495.80	0.00
495.55	0.00	495.80	0.00

Subsection: Composite Rating Curve  
 Label: OS 101

Return Event: 2 years  
 Storm Event:

Composite Outflow Summary

Water Surface Elevation (ft)	Flow (ft <sup>3</sup> /s)	Tailwater Elevation (ft)	Convergence Error (ft)
495.60	0.00	495.80	0.00
495.65	0.00	495.80	0.00
495.70	0.00	495.80	0.00
495.75	0.00	495.80	0.00
495.80	0.00	495.80	0.00
495.85	13.41	495.80	0.00
495.90	19.02	495.80	0.00
495.95	23.34	495.80	0.00
496.00	26.86	495.80	0.00
496.05	30.07	495.80	0.00
496.10	32.96	495.80	0.00
496.15	35.62	495.80	0.00
496.20	38.12	495.80	0.00
496.25	40.39	495.80	0.00
496.30	42.58	495.80	0.00
496.35	44.62	495.80	0.00
496.40	46.66	495.80	0.00
496.45	48.54	495.80	0.00
496.50	50.35	495.80	0.00
496.55	52.17	495.80	0.00
496.60	53.82	495.80	0.00
496.65	55.48	495.80	0.00
496.70	57.11	495.80	0.00
496.75	58.66	495.80	0.00
496.80	60.21	495.80	0.00
496.85	61.69	495.80	0.00
496.90	63.12	495.80	0.00
496.95	64.57	495.80	0.00
497.00	65.97	495.80	0.00

Contributing Structures

(no Q: Weir - 1,Riser - 1,Orifice - 1,Culvert - 1)  
 (no Q: Weir - 1,Riser - 1,Orifice - 1,Culvert - 1)  
 (no Q: Weir - 1,Riser - 1,Orifice - 1,Culvert - 1)  
 (no Q: Weir - 1,Riser - 1,Orifice - 1,Culvert - 1)  
 (no Q: Weir - 1,Riser - 1,Orifice - 1,Culvert - 1)  
 (no Q: Weir - 1,Riser - 1,Orifice - 1,Culvert - 1)  
 (no Q: Weir - 1,Riser - 1,Orifice - 1,Culvert - 1)

Subsection: Composite Rating Curve  
Label: OS 101

Return Event: 2 years  
Storm Event:

Composite Outflow Summary

Contributing Structures
(no Q: Weir - 1,Riser - 1,Orifice - 1,Culvert - 1)
(no Q: Weir - 1,Riser - 1,Orifice - 1,Culvert - 1)
(no Q: Weir - 1,Riser - 1,Orifice - 1,Culvert - 1)
(no Q: Weir - 1,Riser - 1,Orifice - 1,Culvert - 1)
(no Q: Weir - 1,Riser - 1,Orifice - 1,Culvert - 1)
(no Q: Weir - 1,Riser - 1,Orifice - 1,Culvert - 1)
(no Q: Weir - 1,Riser - 1,Orifice - 1,Culvert - 1)
(no Q: Weir - 1,Riser - 1,Orifice - 1,Culvert - 1)
(no Q: Weir - 1,Riser - 1,Orifice - 1,Culvert - 1)
(no Q: Weir - 1,Riser - 1,Orifice - 1,Culvert - 1)
(no Q: Weir - 1,Riser - 1,Orifice - 1,Culvert - 1)
(no Q: Weir - 1,Riser - 1,Orifice - 1,Culvert - 1)
(no Q: Weir - 1,Riser - 1,Orifice - 1,Culvert - 1)
(no Q: Weir - 1,Riser - 1,Orifice - 1,Culvert - 1)
(no Q: Weir - 1,Riser - 1,Orifice - 1,Culvert - 1)
(no Q: Weir - 1,Riser - 1,Orifice - 1,Culvert - 1)
(no Q: Weir - 1,Riser - 1,Orifice - 1,Culvert - 1)
(no Q: Weir - 1,Riser - 1,Orifice - 1,Culvert - 1)
(no Q: Weir - 1,Riser - 1,Orifice - 1,Culvert - 1)
(no Q: Weir - 1,Riser - 1,Orifice - 1,Culvert - 1)
(no Q: Weir - 1,Riser - 1,Orifice - 1,Culvert - 1)
(no Q: Weir - 1,Riser - 1,Orifice - 1,Culvert - 1)
(no Q: Weir - 1,Riser - 1,Orifice - 1,Culvert - 1)

Subsection: Composite Rating Curve  
Label: OS 101

Return Event: 2 years  
Storm Event:

Composite Outflow Summary

Contributing Structures
(no Q: Weir - 1,Riser - 1,Orifice - 1,Culvert - 1)
(no Q: Weir - 1,Riser - 1,Orifice - 1,Culvert - 1)
(no Q: Weir - 1,Riser - 1,Orifice - 1,Culvert - 1)
(no Q: Weir - 1,Riser - 1,Orifice - 1,Culvert - 1)
(no Q: Weir - 1,Riser - 1,Orifice - 1,Culvert - 1)
(no Q: Weir - 1,Riser - 1,Orifice - 1,Culvert - 1)
(no Q: Weir - 1,Riser - 1,Orifice - 1,Culvert - 1)
(no Q: Weir - 1,Riser - 1,Orifice - 1,Culvert - 1)
(no Q: Weir - 1,Riser - 1,Orifice - 1,Culvert - 1)
(no Q: Weir - 1,Riser - 1,Orifice - 1,Culvert - 1)
(no Q: Weir - 1,Riser - 1,Orifice - 1,Culvert - 1)
(no Q: Weir - 1,Riser - 1,Orifice - 1,Culvert - 1)
(no Q: Weir - 1,Riser - 1,Orifice - 1,Culvert - 1)
(no Q: Weir - 1,Riser - 1,Orifice - 1,Culvert - 1)
(no Q: Weir - 1,Riser - 1,Orifice - 1,Culvert - 1)
(no Q: Weir - 1,Riser - 1,Orifice - 1,Culvert - 1)
(no Q: Weir - 1,Riser - 1,Orifice - 1,Culvert - 1)
(no Q: Weir - 1,Riser - 1,Orifice - 1,Culvert - 1)
(no Q: Weir - 1,Riser - 1,Orifice - 1,Culvert - 1)
(no Q: Weir - 1,Riser - 1,Orifice - 1,Culvert - 1)
(no Q: Weir - 1,Riser - 1,Orifice - 1,Culvert - 1)
(no Q: Weir - 1,Riser - 1,Orifice - 1,Culvert - 1)



Composite Outflow Summary

Contributing Structures
(no Q: Weir - 1,Riser - 1,Orifice - 1,Culvert - 1)
(no Q: Weir - 1,Riser - 1,Orifice - 1,Culvert - 1)
(no Q: Weir - 1,Riser - 1,Orifice - 1,Culvert - 1)
(no Q: Weir - 1,Riser - 1,Orifice - 1,Culvert - 1)
(no Q: Weir - 1,Riser - 1,Orifice - 1,Culvert - 1)
(no Q: Weir - 1,Riser - 1,Orifice - 1,Culvert - 1)
(no Q: Weir - 1,Riser - 1,Orifice - 1,Culvert - 1)
(no Q: Weir - 1,Riser - 1,Orifice - 1,Culvert - 1)
(no Q: Weir - 1,Riser - 1,Orifice - 1,Culvert - 1)
(no Q: Weir - 1,Riser - 1,Orifice - 1,Culvert - 1)
(no Q: Weir - 1,Riser - 1,Orifice - 1,Culvert - 1)
(no Q: Weir - 1,Riser - 1,Orifice - 1,Culvert - 1)
(no Q: Weir - 1,Riser - 1,Orifice - 1,Culvert - 1)
(no Q: Weir - 1,Riser - 1,Orifice - 1,Culvert - 1)
(no Q: Weir - 1,Riser - 1,Orifice - 1,Culvert - 1)
(no Q: Weir - 1,Riser - 1,Orifice - 1,Culvert - 1)
(no Q: Weir - 1,Riser - 1,Orifice - 1,Culvert - 1)
(no Q: Weir - 1,Riser - 1,Orifice - 1,Culvert - 1)
(no Q: Weir - 1,Riser - 1,Orifice - 1,Culvert - 1)
(no Q: Weir - 1,Riser - 1,Orifice - 1,Culvert - 1)
(no Q: Weir - 1,Riser - 1,Orifice - 1,Culvert - 1)
(no Q: Weir - 1,Riser - 1,Orifice - 1,Culvert - 1)
(no Q: Weir - 1,Riser - 1,Orifice - 1,Culvert - 1)

Subsection: Composite Rating Curve  
Label: OS 101

Return Event: 2 years  
Storm Event:

### Composite Outflow Summary

Contributing Structures
(no Q: Weir - 1,Riser - 1,Orifice - 1,Culvert - 1)
(no Q: Weir - 1,Riser - 1,Orifice - 1,Culvert - 1)
(no Q: Weir - 1,Riser - 1,Orifice - 1,Culvert - 1)
(no Q: Weir - 1,Riser - 1,Orifice - 1,Culvert - 1)
(no Q: Weir - 1,Riser - 1,Orifice - 1,Culvert - 1)
(no Q: Weir - 1,Riser - 1,Orifice - 1,Culvert - 1)
(no Q: Weir - 1,Riser - 1,Orifice - 1,Culvert - 1)
(no Q: Weir - 1,Riser - 1,Orifice - 1,Culvert - 1)
(no Q: Weir - 1,Riser - 1,Orifice - 1,Culvert - 1)
(no Q: Weir - 1,Riser - 1,Orifice - 1,Culvert - 1)
(no Q: Weir - 1,Riser - 1,Orifice - 1,Culvert - 1)
(no Q: Weir - 1,Riser - 1,Orifice - 1,Culvert - 1)
(no Q: Weir - 1,Riser - 1,Orifice - 1,Culvert - 1)
(no Q: Weir - 1,Riser - 1,Orifice - 1,Culvert - 1)
(no Q: Weir - 1,Riser - 1,Orifice - 1,Culvert - 1)
(no Q: Weir - 1,Riser - 1,Orifice - 1,Culvert - 1)
(no Q: Weir - 1,Riser - 1,Orifice - 1,Culvert - 1)
(no Q: Weir - 1,Riser - 1,Orifice - 1,Culvert - 1)
(no Q: Weir - 1,Riser - 1,Orifice - 1,Culvert - 1)
(no Q: Weir - 1,Riser - 1,Orifice - 1,Culvert - 1)
(no Q: Weir - 1,Riser - 1,Orifice - 1,Culvert - 1)
(no Q: Weir - 1,Riser - 1,Orifice - 1,Culvert - 1)
(no Q: Weir - 1,Riser - 1,Orifice - 1,Culvert - 1)

Subsection: Composite Rating Curve  
Label: OS 101

Return Event: 2 years  
Storm Event:

### Composite Outflow Summary

Contributing Structures
(no Q: Weir - 1,Riser - 1,Orifice - 1,Culvert - 1)
(no Q: Weir - 1,Riser - 1,Orifice - 1,Culvert - 1)
(no Q: Weir - 1,Riser - 1,Orifice - 1,Culvert - 1)
(no Q: Weir - 1,Riser - 1,Orifice - 1,Culvert - 1)
(no Q: Weir - 1,Riser - 1,Orifice - 1,Culvert - 1)
(no Q: Weir - 1,Riser - 1,Orifice - 1,Culvert - 1)
(no Q: Weir - 1,Riser - 1,Orifice - 1,Culvert - 1)
(no Q: Weir - 1,Riser - 1,Orifice - 1,Culvert - 1)
(no Q: Weir - 1,Riser - 1,Orifice - 1,Culvert - 1)
(no Q: Weir - 1,Riser - 1,Orifice - 1,Culvert - 1)
(no Q: Weir - 1,Riser - 1,Orifice - 1,Culvert - 1)
(no Q: Weir - 1,Riser - 1,Orifice - 1,Culvert - 1)
(no Q: Weir - 1,Riser - 1,Orifice - 1,Culvert - 1)
(no Q: Weir - 1,Riser - 1,Orifice - 1,Culvert - 1)
(no Q: Weir - 1,Riser - 1,Orifice - 1,Culvert - 1)
(no Q: Weir - 1,Riser - 1,Orifice - 1,Culvert - 1)
(no Q: Weir - 1,Riser - 1,Orifice - 1,Culvert - 1)
(no Q: Weir - 1,Riser - 1,Orifice - 1,Culvert - 1)
(no Q: Weir - 1,Riser - 1,Orifice - 1,Culvert - 1)
(no Q: Weir - 1,Riser - 1,Orifice - 1,Culvert - 1)
(no Q: Weir - 1,Riser - 1,Orifice - 1,Culvert - 1)
(no Q: Weir - 1,Riser - 1,Orifice - 1,Culvert - 1)
(no Q: Weir - 1,Riser - 1,Orifice - 1,Culvert - 1)
(no Q: Weir - 1,Riser - 1,Orifice - 1,Culvert - 1)













Composite Outflow Summary

Contributing Structures
(no Q: Weir - 1,Riser - 1,Orifice - 1,Culvert - 1)
(no Q: Weir - 1,Riser - 1,Orifice - 1,Culvert - 1)
(no Q: Weir - 1,Riser - 1,Orifice - 1,Culvert - 1)
(no Q: Weir - 1,Riser - 1,Orifice - 1,Culvert - 1)
(no Q: Weir - 1,Riser - 1,Orifice - 1,Culvert - 1)
(no Q: Weir - 1,Riser - 1,Orifice - 1,Culvert - 1)
(no Q: Weir - 1,Riser - 1,Orifice - 1,Culvert - 1)
(no Q: Weir - 1,Riser - 1,Orifice - 1,Culvert - 1)
(no Q: Weir - 1,Riser - 1,Orifice - 1,Culvert - 1)
(no Q: Weir - 1,Riser - 1,Orifice - 1,Culvert - 1)
(no Q: Weir - 1,Riser - 1,Orifice - 1,Culvert - 1)
(no Q: Weir - 1,Riser - 1,Orifice - 1,Culvert - 1)
(no Q: Weir - 1,Riser - 1,Orifice - 1,Culvert - 1)
(no Q: Weir - 1,Riser - 1,Orifice - 1,Culvert - 1)
(no Q: Weir - 1,Riser - 1,Orifice - 1,Culvert - 1)
(no Q: Weir - 1,Riser - 1,Orifice - 1,Culvert - 1)
(no Q: Weir - 1,Riser - 1,Orifice - 1,Culvert - 1)
(no Q: Weir - 1,Riser - 1,Orifice - 1,Culvert - 1)
(no Q: Weir - 1,Riser - 1,Orifice - 1,Culvert - 1)
(no Q: Weir - 1,Riser - 1,Orifice - 1,Culvert - 1)
(no Q: Weir - 1,Riser - 1,Orifice - 1,Culvert - 1)
(no Q: Weir - 1,Riser - 1,Orifice - 1,Culvert - 1)
(no Q: Weir - 1,Riser - 1,Orifice - 1,Culvert - 1)
(no Q: Weir - 1,Riser - 1,Orifice - 1,Culvert - 1)
(no Q: Weir - 1,Riser - 1,Orifice - 1,Culvert - 1)
(no Q: Weir - 1,Riser - 1,Orifice - 1,Culvert - 1)
(no Q: Weir - 1,Riser - 1,Orifice - 1,Culvert - 1)
(no Q: Weir - 1,Riser - 1,Orifice - 1,Culvert - 1)
(no Q: Weir - 1,Riser - 1,Orifice - 1,Culvert - 1)









Subsection: Composite Rating Curve  
Label: OS 101

Return Event: 2 years  
Storm Event:

### Composite Outflow Summary

Contributing Structures
Riser - 1,Culvert - 1 (no Q: Weir - 1,Orifice - 1)
Riser - 1,Culvert - 1 (no Q: Weir - 1,Orifice - 1)
Riser - 1,Culvert - 1 (no Q: Weir - 1,Orifice - 1)
Riser - 1,Culvert - 1 (no Q: Weir - 1,Orifice - 1)
Riser - 1,Culvert - 1 (no Q: Weir - 1,Orifice - 1)
Riser - 1,Culvert - 1 (no Q: Weir - 1,Orifice - 1)
Riser - 1,Culvert - 1 (no Q: Weir - 1,Orifice - 1)
Riser - 1,Culvert - 1 (no Q: Weir - 1,Orifice - 1)
Riser - 1,Culvert - 1 (no Q: Weir - 1,Orifice - 1)
Riser - 1,Culvert - 1 (no Q: Weir - 1,Orifice - 1)
Riser - 1,Culvert - 1 (no Q: Weir - 1,Orifice - 1)
Riser - 1,Culvert - 1 (no Q: Weir - 1,Orifice - 1)
Riser - 1,Culvert - 1 (no Q: Weir - 1,Orifice - 1)
Riser - 1,Culvert - 1 (no Q: Weir - 1,Orifice - 1)
Riser - 1,Culvert - 1 (no Q: Weir - 1,Orifice - 1)
Riser - 1,Culvert - 1 (no Q: Weir - 1,Orifice - 1)
Riser - 1,Culvert - 1 (no Q: Weir - 1,Orifice - 1)
Riser - 1,Culvert - 1 (no Q: Weir - 1,Orifice - 1)

Subsection: Elevation-Volume-Flow Table (Pond)  
 Label: Basin

Return Event: 2 years  
 Storm Event:

Infiltration	
Infiltration Method (Computed)	No Infiltration

---

Initial Conditions	
Elevation (Water Surface, Initial)	488.50 ft
Volume (Initial)	425,250.000 ft <sup>3</sup>
Flow (Initial Outlet)	0.00 ft <sup>3</sup> /s
Flow (Initial Infiltration)	0.00 ft <sup>3</sup> /s
Flow (Initial, Total)	0.00 ft <sup>3</sup> /s
Time Increment	1 min

Elevation (ft)	Outflow (ft <sup>3</sup> /s)	Storage (ft <sup>3</sup> )	Area (ft <sup>2</sup> )	Infiltration (ft <sup>3</sup> /s)	Flow (Total) (ft <sup>3</sup> /s)	2S/t + O (ft <sup>3</sup> /s)
478.00	0.00	0.000	28,132.00	0.00	0.00	0.00
478.05	0.00	1,409.216	28,236.65	0.00	0.00	46.97
478.10	0.00	2,823.669	28,341.50	0.00	0.00	94.12
478.15	0.00	4,243.369	28,446.55	0.00	0.00	141.45
478.20	0.00	5,668.326	28,551.78	0.00	0.00	188.94
478.25	0.00	7,098.551	28,657.21	0.00	0.00	236.62
478.30	0.00	8,534.051	28,762.84	0.00	0.00	284.47
478.35	0.00	9,974.838	28,868.66	0.00	0.00	332.49
478.40	0.00	11,420.920	28,974.67	0.00	0.00	380.70
478.45	0.00	12,872.308	29,080.88	0.00	0.00	429.08
478.50	0.00	14,329.012	29,187.28	0.00	0.00	477.63
478.55	0.00	15,791.040	29,293.88	0.00	0.00	526.37
478.60	0.00	17,258.403	29,400.67	0.00	0.00	575.28
478.65	0.00	18,731.111	29,507.66	0.00	0.00	624.37
478.70	0.00	20,209.172	29,614.84	0.00	0.00	673.64
478.75	0.00	21,692.598	29,722.21	0.00	0.00	723.09
478.80	0.00	23,181.397	29,829.78	0.00	0.00	772.71
478.85	0.00	24,675.579	29,937.55	0.00	0.00	822.52
478.90	0.00	26,175.155	30,045.50	0.00	0.00	872.51
478.95	0.00	27,680.133	30,153.65	0.00	0.00	922.67
479.00	0.00	29,190.523	30,262.00	0.00	0.00	973.02
479.05	0.00	30,706.331	30,370.36	0.00	0.00	1,023.54
479.10	0.00	32,227.563	30,478.91	0.00	0.00	1,074.25
479.15	0.00	33,754.226	30,587.66	0.00	0.00	1,125.14
479.20	0.00	35,286.332	30,696.60	0.00	0.00	1,176.21
479.25	0.00	36,823.890	30,805.74	0.00	0.00	1,227.46
479.30	0.00	38,366.909	30,915.07	0.00	0.00	1,278.90
479.35	0.00	39,915.400	31,024.59	0.00	0.00	1,330.51
479.40	0.00	41,469.371	31,134.30	0.00	0.00	1,382.31
479.45	0.00	43,028.833	31,244.21	0.00	0.00	1,434.29
479.50	0.00	44,593.796	31,354.32	0.00	0.00	1,486.46

Subsection: Elevation-Volume-Flow Table (Pond)  
 Label: Basin

Return Event: 2 years  
 Storm Event:

Elevation (ft)	Outflow (ft <sup>3</sup> /s)	Storage (ft <sup>3</sup> )	Area (ft <sup>2</sup> )	Infiltration (ft <sup>3</sup> /s)	Flow (Total) (ft <sup>3</sup> /s)	2S/t + O (ft <sup>3</sup> /s)
479.55	0.00	46,164.268	31,464.61	0.00	0.00	1,538.81
479.60	0.00	47,740.260	31,575.10	0.00	0.00	1,591.34
479.65	0.00	49,321.782	31,685.79	0.00	0.00	1,644.06
479.70	0.00	50,908.842	31,796.67	0.00	0.00	1,696.96
479.75	0.00	52,501.452	31,907.74	0.00	0.00	1,750.05
479.80	0.00	54,099.619	32,019.00	0.00	0.00	1,803.32
479.85	0.00	55,703.355	32,130.46	0.00	0.00	1,856.78
479.90	0.00	57,312.669	32,242.11	0.00	0.00	1,910.42
479.95	0.00	58,927.570	32,353.96	0.00	0.00	1,964.25
480.00	0.00	60,548.068	32,466.00	0.00	0.00	2,018.27
480.05	0.00	62,174.176	32,578.36	0.00	0.00	2,072.47
480.10	0.00	63,805.907	32,690.91	0.00	0.00	2,126.86
480.15	0.00	65,443.270	32,803.65	0.00	0.00	2,181.44
480.20	0.00	67,086.275	32,916.59	0.00	0.00	2,236.21
480.25	0.00	68,734.932	33,029.72	0.00	0.00	2,291.16
480.30	0.00	70,389.251	33,143.05	0.00	0.00	2,346.31
480.35	0.00	72,049.240	33,256.57	0.00	0.00	2,401.64
480.40	0.00	73,714.911	33,370.28	0.00	0.00	2,457.16
480.45	0.00	75,386.272	33,484.19	0.00	0.00	2,512.88
480.50	0.00	77,063.333	33,598.30	0.00	0.00	2,568.78
480.55	0.00	78,746.105	33,712.59	0.00	0.00	2,624.87
480.60	0.00	80,434.596	33,827.08	0.00	0.00	2,681.15
480.65	0.00	82,128.816	33,941.77	0.00	0.00	2,737.63
480.70	0.00	83,828.776	34,056.65	0.00	0.00	2,794.29
480.75	0.00	85,534.484	34,171.72	0.00	0.00	2,851.15
480.80	0.00	87,245.951	34,286.99	0.00	0.00	2,908.20
480.85	0.00	88,963.187	34,402.45	0.00	0.00	2,965.44
480.90	0.00	90,686.200	34,518.11	0.00	0.00	3,022.87
480.95	0.00	92,415.001	34,633.96	0.00	0.00	3,080.50
481.00	0.00	94,149.599	34,750.00	0.00	0.00	3,138.32
481.05	0.00	95,889.987	34,865.58	0.00	0.00	3,196.33
481.10	0.00	97,636.160	34,981.35	0.00	0.00	3,254.54
481.15	0.00	99,388.125	35,097.31	0.00	0.00	3,312.94
481.20	0.00	101,145.893	35,213.46	0.00	0.00	3,371.53
481.25	0.00	102,909.474	35,329.80	0.00	0.00	3,430.32
481.30	0.00	104,678.877	35,446.34	0.00	0.00	3,489.30
481.35	0.00	106,454.112	35,563.07	0.00	0.00	3,548.47
481.40	0.00	108,235.187	35,679.99	0.00	0.00	3,607.84
481.45	0.00	110,022.114	35,797.10	0.00	0.00	3,667.40
481.50	0.00	111,814.901	35,914.41	0.00	0.00	3,727.16
481.55	0.00	113,613.557	36,031.90	0.00	0.00	3,787.12
481.60	0.00	115,418.094	36,149.59	0.00	0.00	3,847.27
481.65	0.00	117,228.520	36,267.47	0.00	0.00	3,907.62
481.70	0.00	119,044.844	36,385.54	0.00	0.00	3,968.16
481.75	0.00	120,867.077	36,503.80	0.00	0.00	4,028.90

Subsection: Elevation-Volume-Flow Table (Pond)  
 Label: Basin

Return Event: 2 years  
 Storm Event:

Elevation (ft)	Outflow (ft <sup>3</sup> /s)	Storage (ft <sup>3</sup> )	Area (ft <sup>2</sup> )	Infiltration (ft <sup>3</sup> /s)	Flow (Total) (ft <sup>3</sup> /s)	2S/t + O (ft <sup>3</sup> /s)
481.80	0.00	122,695.228	36,622.26	0.00	0.00	4,089.84
481.85	0.00	124,529.306	36,740.91	0.00	0.00	4,150.98
481.90	0.00	126,369.322	36,859.75	0.00	0.00	4,212.31
481.95	0.00	128,215.284	36,978.78	0.00	0.00	4,273.84
482.00	0.00	130,067.203	37,098.00	0.00	0.00	4,335.57
482.05	0.00	131,925.093	37,217.67	0.00	0.00	4,397.50
482.10	0.00	133,788.973	37,337.53	0.00	0.00	4,459.63
482.15	0.00	135,658.850	37,457.59	0.00	0.00	4,521.96
482.20	0.00	137,534.734	37,577.83	0.00	0.00	4,584.49
482.25	0.00	139,416.636	37,698.27	0.00	0.00	4,647.22
482.30	0.00	141,304.565	37,818.91	0.00	0.00	4,710.15
482.35	0.00	143,198.530	37,939.73	0.00	0.00	4,773.28
482.40	0.00	145,098.541	38,060.75	0.00	0.00	4,836.62
482.45	0.00	147,004.608	38,181.96	0.00	0.00	4,900.15
482.50	0.00	148,916.741	38,303.36	0.00	0.00	4,963.89
482.55	0.00	150,834.948	38,424.96	0.00	0.00	5,027.83
482.60	0.00	152,759.240	38,546.75	0.00	0.00	5,091.97
482.65	0.00	154,689.626	38,668.73	0.00	0.00	5,156.32
482.70	0.00	156,626.117	38,790.91	0.00	0.00	5,220.87
482.75	0.00	158,568.720	38,913.27	0.00	0.00	5,285.62
482.80	0.00	160,517.447	39,035.83	0.00	0.00	5,350.58
482.85	0.00	162,472.307	39,158.59	0.00	0.00	5,415.74
482.90	0.00	164,433.309	39,281.53	0.00	0.00	5,481.11
482.95	0.00	166,400.463	39,404.67	0.00	0.00	5,546.68
483.00	0.00	168,373.779	39,528.00	0.00	0.00	5,612.46
483.05	0.00	170,353.266	39,651.52	0.00	0.00	5,678.44
483.10	0.00	172,338.934	39,775.23	0.00	0.00	5,744.63
483.15	0.00	174,330.793	39,899.14	0.00	0.00	5,811.03
483.20	0.00	176,328.851	40,023.23	0.00	0.00	5,877.63
483.25	0.00	178,333.119	40,147.52	0.00	0.00	5,944.44
483.30	0.00	180,343.607	40,272.01	0.00	0.00	6,011.45
483.35	0.00	182,360.323	40,396.68	0.00	0.00	6,078.68
483.40	0.00	184,383.278	40,521.55	0.00	0.00	6,146.11
483.45	0.00	186,412.481	40,646.61	0.00	0.00	6,213.75
483.50	0.00	188,447.943	40,771.87	0.00	0.00	6,281.60
483.55	0.00	190,489.671	40,897.31	0.00	0.00	6,349.66
483.60	0.00	192,537.677	41,022.95	0.00	0.00	6,417.92
483.65	0.00	194,591.970	41,148.78	0.00	0.00	6,486.40
483.70	0.00	196,652.558	41,274.81	0.00	0.00	6,555.09
483.75	0.00	198,719.453	41,401.02	0.00	0.00	6,623.98
483.80	0.00	200,792.664	41,527.43	0.00	0.00	6,693.09
483.85	0.00	202,872.200	41,654.04	0.00	0.00	6,762.41
483.90	0.00	204,958.071	41,780.83	0.00	0.00	6,831.94
483.95	0.00	207,050.286	41,907.82	0.00	0.00	6,901.68
484.00	0.00	209,148.856	42,035.00	0.00	0.00	6,971.63

Subsection: Elevation-Volume-Flow Table (Pond)  
 Label: Basin

Return Event: 2 years  
 Storm Event:

Elevation (ft)	Outflow (ft <sup>3</sup> /s)	Storage (ft <sup>3</sup> )	Area (ft <sup>2</sup> )	Infiltration (ft <sup>3</sup> /s)	Flow (Total) (ft <sup>3</sup> /s)	2S/t + O (ft <sup>3</sup> /s)
484.05	0.00	211,253.790	42,162.37	0.00	0.00	7,041.79
484.10	0.00	213,365.096	42,289.93	0.00	0.00	7,112.17
484.15	0.00	215,482.786	42,417.69	0.00	0.00	7,182.76
484.20	0.00	217,606.868	42,545.63	0.00	0.00	7,253.56
484.25	0.00	219,737.353	42,673.77	0.00	0.00	7,324.58
484.30	0.00	221,874.249	42,802.11	0.00	0.00	7,395.81
484.35	0.00	224,017.567	42,930.63	0.00	0.00	7,467.25
484.40	0.00	226,167.315	43,059.35	0.00	0.00	7,538.91
484.45	0.00	228,323.505	43,188.26	0.00	0.00	7,610.78
484.50	0.00	230,486.145	43,317.37	0.00	0.00	7,682.87
484.55	0.00	232,655.245	43,446.66	0.00	0.00	7,755.17
484.60	0.00	234,830.814	43,576.15	0.00	0.00	7,827.69
484.65	0.00	237,012.863	43,705.83	0.00	0.00	7,900.43
484.70	0.00	239,201.401	43,835.71	0.00	0.00	7,973.38
484.75	0.00	241,396.437	43,965.77	0.00	0.00	8,046.55
484.80	0.00	243,597.981	44,096.03	0.00	0.00	8,119.93
484.85	0.00	245,806.044	44,226.49	0.00	0.00	8,193.53
484.90	0.00	248,020.633	44,357.13	0.00	0.00	8,267.35
484.95	0.00	250,241.760	44,487.97	0.00	0.00	8,341.39
485.00	0.00	252,469.434	44,619.00	0.00	0.00	8,415.65
485.05	0.00	254,703.661	44,750.12	0.00	0.00	8,490.12
485.10	0.00	256,944.449	44,881.44	0.00	0.00	8,564.81
485.15	0.00	259,191.808	45,012.94	0.00	0.00	8,639.73
485.20	0.00	261,445.747	45,144.64	0.00	0.00	8,714.86
485.25	0.00	263,706.275	45,276.54	0.00	0.00	8,790.21
485.30	0.00	265,973.403	45,408.62	0.00	0.00	8,865.78
485.35	0.00	268,247.140	45,540.90	0.00	0.00	8,941.57
485.40	0.00	270,527.496	45,673.37	0.00	0.00	9,017.58
485.45	0.00	272,814.480	45,806.03	0.00	0.00	9,093.82
485.50	0.00	275,108.102	45,938.88	0.00	0.00	9,170.27
485.55	0.00	277,408.372	46,071.93	0.00	0.00	9,246.95
485.60	0.00	279,715.298	46,205.17	0.00	0.00	9,323.84
485.65	0.00	282,028.891	46,338.60	0.00	0.00	9,400.96
485.70	0.00	284,349.161	46,472.22	0.00	0.00	9,478.31
485.75	0.00	286,676.117	46,606.04	0.00	0.00	9,555.87
485.80	0.00	289,009.768	46,740.04	0.00	0.00	9,633.66
485.85	0.00	291,350.124	46,874.24	0.00	0.00	9,711.67
485.90	0.00	293,697.195	47,008.64	0.00	0.00	9,789.91
485.95	0.00	296,050.991	47,143.22	0.00	0.00	9,868.37
486.00	0.00	298,411.521	47,278.00	0.00	0.00	9,947.05
486.05	0.00	300,778.799	47,413.17	0.00	0.00	10,025.96
486.10	0.00	303,152.841	47,548.53	0.00	0.00	10,105.09
486.15	0.00	305,533.655	47,684.08	0.00	0.00	10,184.46
486.20	0.00	307,921.252	47,819.83	0.00	0.00	10,264.04
486.25	0.00	310,315.641	47,955.76	0.00	0.00	10,343.85

Subsection: Elevation-Volume-Flow Table (Pond)  
 Label: Basin

Return Event: 2 years  
 Storm Event:

Elevation (ft)	Outflow (ft <sup>3</sup> /s)	Storage (ft <sup>3</sup> )	Area (ft <sup>2</sup> )	Infiltration (ft <sup>3</sup> /s)	Flow (Total) (ft <sup>3</sup> /s)	2S/t + O (ft <sup>3</sup> /s)
486.30	0.00	312,716.832	48,091.90	0.00	0.00	10,423.89
486.35	0.00	315,124.834	48,228.22	0.00	0.00	10,504.16
486.40	0.00	317,539.657	48,364.74	0.00	0.00	10,584.66
486.45	0.00	319,961.311	48,501.45	0.00	0.00	10,665.38
486.50	0.00	322,389.805	48,638.35	0.00	0.00	10,746.33
486.55	0.00	324,825.149	48,775.45	0.00	0.00	10,827.50
486.60	0.00	327,267.353	48,912.74	0.00	0.00	10,908.91
486.65	0.00	329,716.426	49,050.22	0.00	0.00	10,990.55
486.70	0.00	332,172.378	49,187.90	0.00	0.00	11,072.41
486.75	0.00	334,635.219	49,325.76	0.00	0.00	11,154.51
486.80	0.00	337,104.958	49,463.83	0.00	0.00	11,236.83
486.85	0.00	339,581.605	49,602.08	0.00	0.00	11,319.39
486.90	0.00	342,065.169	49,740.53	0.00	0.00	11,402.17
486.95	0.00	344,555.661	49,879.17	0.00	0.00	11,485.19
487.00	0.00	347,053.089	50,018.00	0.00	0.00	11,568.44
487.05	0.00	349,557.465	50,157.07	0.00	0.00	11,651.92
487.10	0.00	352,068.799	50,296.32	0.00	0.00	11,735.63
487.15	0.00	354,587.101	50,435.78	0.00	0.00	11,819.57
487.20	0.00	357,112.380	50,575.42	0.00	0.00	11,903.75
487.25	0.00	359,644.646	50,715.26	0.00	0.00	11,988.15
487.30	0.00	362,183.909	50,855.29	0.00	0.00	12,072.80
487.35	0.00	364,730.179	50,995.52	0.00	0.00	12,157.67
487.40	0.00	367,283.464	51,135.93	0.00	0.00	12,242.78
487.45	0.00	369,843.775	51,276.54	0.00	0.00	12,328.13
487.50	0.00	372,411.122	51,417.35	0.00	0.00	12,413.70
487.55	0.00	374,985.513	51,558.34	0.00	0.00	12,499.52
487.60	0.00	377,566.959	51,699.53	0.00	0.00	12,585.57
487.65	0.00	380,155.470	51,840.92	0.00	0.00	12,671.85
487.70	0.00	382,751.054	51,982.49	0.00	0.00	12,758.37
487.75	0.00	385,353.722	52,124.26	0.00	0.00	12,845.12
487.80	0.00	387,963.483	52,266.22	0.00	0.00	12,932.12
487.85	0.00	390,580.348	52,408.38	0.00	0.00	13,019.34
487.90	0.00	393,204.324	52,550.72	0.00	0.00	13,106.81
487.95	0.00	395,835.423	52,693.27	0.00	0.00	13,194.51
488.00	0.00	398,473.654	52,836.00	0.00	0.00	13,282.46
488.05	0.00	401,119.027	52,978.96	0.00	0.00	13,370.63
488.10	0.00	403,771.554	53,122.12	0.00	0.00	13,459.05
488.15	0.00	406,431.243	53,265.47	0.00	0.00	13,547.71
488.20	0.00	409,098.104	53,409.02	0.00	0.00	13,636.60
488.25	0.00	411,772.148	53,552.76	0.00	0.00	13,725.74
488.30	0.00	414,453.383	53,696.69	0.00	0.00	13,815.11
488.35	0.00	417,141.820	53,840.81	0.00	0.00	13,904.73
488.40	0.00	419,837.468	53,985.13	0.00	0.00	13,994.58
488.45	0.00	422,540.336	54,129.64	0.00	0.00	14,084.68
488.50	0.00	425,250.435	54,274.34	0.00	0.00	14,175.01

Subsection: Elevation-Volume-Flow Table (Pond)  
 Label: Basin

Return Event: 2 years  
 Storm Event:

Elevation (ft)	Outflow (ft <sup>3</sup> /s)	Storage (ft <sup>3</sup> )	Area (ft <sup>2</sup> )	Infiltration (ft <sup>3</sup> /s)	Flow (Total) (ft <sup>3</sup> /s)	2S/t + O (ft <sup>3</sup> /s)
488.55	0.00	427,967.774	54,419.24	0.00	0.00	14,265.59
488.60	0.00	430,692.362	54,564.33	0.00	0.00	14,356.41
488.65	0.00	433,424.210	54,709.61	0.00	0.00	14,447.47
488.70	0.00	436,163.326	54,855.09	0.00	0.00	14,538.78
488.75	0.00	438,909.722	55,000.76	0.00	0.00	14,630.32
488.80	0.00	441,663.405	55,146.62	0.00	0.00	14,722.11
488.85	0.00	444,424.387	55,292.67	0.00	0.00	14,814.15
488.90	0.00	447,192.676	55,438.92	0.00	0.00	14,906.42
488.95	0.00	449,968.282	55,585.36	0.00	0.00	14,998.94
489.00	0.00	452,751.215	55,732.00	0.00	0.00	15,091.71
489.05	0.00	455,541.492	55,879.11	0.00	0.00	15,184.72
489.10	0.00	458,339.130	56,026.41	0.00	0.00	15,277.97
489.15	0.00	461,144.137	56,173.91	0.00	0.00	15,371.47
489.20	0.00	463,956.523	56,321.60	0.00	0.00	15,465.22
489.25	0.00	466,776.299	56,469.48	0.00	0.00	15,559.21
489.30	0.00	469,603.474	56,617.56	0.00	0.00	15,653.45
489.35	0.00	472,438.058	56,765.83	0.00	0.00	15,747.94
489.40	0.00	475,280.060	56,914.29	0.00	0.00	15,842.67
489.45	0.00	478,129.491	57,062.95	0.00	0.00	15,937.65
489.50	0.00	480,986.359	57,211.81	0.00	0.00	16,032.88
489.55	0.00	483,850.675	57,360.85	0.00	0.00	16,128.36
489.60	0.00	486,722.447	57,510.09	0.00	0.00	16,224.08
489.65	0.00	489,601.687	57,659.53	0.00	0.00	16,320.06
489.70	0.00	492,488.403	57,809.16	0.00	0.00	16,416.28
489.75	0.00	495,382.606	57,958.98	0.00	0.00	16,512.75
489.80	0.00	498,284.305	58,109.00	0.00	0.00	16,609.48
489.85	0.00	501,193.509	58,259.21	0.00	0.00	16,706.45
489.90	0.00	504,110.228	58,409.61	0.00	0.00	16,803.67
489.95	0.00	507,034.473	58,560.21	0.00	0.00	16,901.15
490.00	0.00	509,966.252	58,711.00	0.00	0.00	16,998.88
490.05	0.00	512,905.578	58,862.06	0.00	0.00	17,096.85
490.10	0.00	515,852.461	59,013.31	0.00	0.00	17,195.08
490.15	0.00	518,806.912	59,164.75	0.00	0.00	17,293.56
490.20	0.00	521,768.940	59,316.39	0.00	0.00	17,392.30
490.25	0.00	524,738.554	59,468.22	0.00	0.00	17,491.29
490.30	0.00	527,715.765	59,620.25	0.00	0.00	17,590.53
490.35	0.00	530,700.582	59,772.47	0.00	0.00	17,690.02
490.40	0.00	533,693.015	59,924.88	0.00	0.00	17,789.77
490.45	0.00	536,693.074	60,077.49	0.00	0.00	17,889.77
490.50	0.00	539,700.768	60,230.30	0.00	0.00	17,990.03
490.55	0.00	542,716.107	60,383.29	0.00	0.00	18,090.54
490.60	0.00	545,739.100	60,536.48	0.00	0.00	18,191.30
490.65	0.00	548,769.758	60,689.87	0.00	0.00	18,292.33
490.70	0.00	551,808.091	60,843.45	0.00	0.00	18,393.60
490.75	0.00	554,854.106	60,997.22	0.00	0.00	18,495.14



Subsection: Elevation-Volume-Flow Table (Pond)  
 Label: Basin

Return Event: 2 years  
 Storm Event:

Elevation (ft)	Outflow (ft <sup>3</sup> /s)	Storage (ft <sup>3</sup> )	Area (ft <sup>2</sup> )	Infiltration (ft <sup>3</sup> /s)	Flow (Total) (ft <sup>3</sup> /s)	2S/t + O (ft <sup>3</sup> /s)
490.80	0.00	557,907.816	61,151.19	0.00	0.00	18,596.93
490.85	0.00	560,969.229	61,305.35	0.00	0.00	18,698.97
490.90	0.00	564,038.354	61,459.71	0.00	0.00	18,801.28
490.95	0.00	567,115.203	61,614.26	0.00	0.00	18,903.84
491.00	0.00	570,199.783	61,769.00	0.00	0.00	19,006.66
491.05	0.00	573,292.109	61,924.05	0.00	0.00	19,109.74
491.10	0.00	576,392.192	62,079.30	0.00	0.00	19,213.07
491.15	0.00	579,500.042	62,234.74	0.00	0.00	19,316.67
491.20	0.00	582,615.669	62,390.38	0.00	0.00	19,420.52
491.25	0.00	585,739.083	62,546.21	0.00	0.00	19,524.64
491.30	0.00	588,870.294	62,702.24	0.00	0.00	19,629.01
491.35	0.00	592,009.310	62,858.46	0.00	0.00	19,733.64
491.40	0.00	595,156.143	63,014.87	0.00	0.00	19,838.54
491.45	0.00	598,310.801	63,171.48	0.00	0.00	19,943.69
491.50	0.00	601,473.294	63,328.28	0.00	0.00	20,049.11
491.55	0.00	604,643.632	63,485.28	0.00	0.00	20,154.79
491.60	0.00	607,821.825	63,642.47	0.00	0.00	20,260.73
491.65	0.00	611,007.882	63,799.86	0.00	0.00	20,366.93
491.70	0.00	614,201.814	63,957.44	0.00	0.00	20,473.39
491.75	0.00	617,403.629	64,115.21	0.00	0.00	20,580.12
491.80	0.00	620,613.338	64,273.18	0.00	0.00	20,687.11
491.85	0.00	623,830.950	64,431.34	0.00	0.00	20,794.37
491.90	0.00	627,056.476	64,589.70	0.00	0.00	20,901.88
491.95	0.00	630,289.924	64,748.25	0.00	0.00	21,009.66
492.00	0.00	633,531.304	64,907.00	0.00	0.00	21,117.71
492.05	0.00	636,780.630	65,066.05	0.00	0.00	21,226.02
492.10	0.00	640,037.913	65,225.30	0.00	0.00	21,334.60
492.15	0.00	643,303.163	65,384.74	0.00	0.00	21,443.44
492.20	0.00	646,576.390	65,544.37	0.00	0.00	21,552.55
492.25	0.00	649,857.603	65,704.20	0.00	0.00	21,661.92
492.30	0.00	653,146.813	65,864.23	0.00	0.00	21,771.56
492.35	0.00	656,444.029	66,024.44	0.00	0.00	21,881.47
492.40	0.00	659,749.261	66,184.86	0.00	0.00	21,991.64
492.45	0.00	663,062.518	66,345.47	0.00	0.00	22,102.08
492.50	0.00	666,383.810	66,506.27	0.00	0.00	22,212.79
492.55	0.00	669,713.148	66,667.27	0.00	0.00	22,323.77
492.60	0.00	673,050.540	66,828.46	0.00	0.00	22,435.02
492.65	0.00	676,395.997	66,989.84	0.00	0.00	22,546.53
492.70	0.00	679,749.528	67,151.43	0.00	0.00	22,658.32
492.75	0.00	683,111.143	67,313.20	0.00	0.00	22,770.37
492.80	0.00	686,480.851	67,475.17	0.00	0.00	22,882.70
492.85	0.00	689,858.663	67,637.34	0.00	0.00	22,995.29
492.90	0.00	693,244.588	67,799.70	0.00	0.00	23,108.15
492.95	0.00	696,638.636	67,962.25	0.00	0.00	23,221.29
493.00	0.00	700,040.817	68,125.00	0.00	0.00	23,334.69

Subsection: Elevation-Volume-Flow Table (Pond)  
 Label: Basin

Return Event: 2 years  
 Storm Event:

Elevation (ft)	Outflow (ft <sup>3</sup> /s)	Storage (ft <sup>3</sup> )	Area (ft <sup>2</sup> )	Infiltration (ft <sup>3</sup> /s)	Flow (Total) (ft <sup>3</sup> /s)	2S/t + O (ft <sup>3</sup> /s)
493.05	0.00	703,451.133	68,287.71	0.00	0.00	23,448.37
493.10	0.00	706,869.590	68,450.61	0.00	0.00	23,562.32
493.15	0.00	710,296.197	68,613.70	0.00	0.00	23,676.54
493.20	0.00	713,730.964	68,776.99	0.00	0.00	23,791.03
493.25	0.00	717,173.900	68,940.47	0.00	0.00	23,905.80
493.30	0.00	720,625.014	69,104.15	0.00	0.00	24,020.83
493.35	0.00	724,084.318	69,268.02	0.00	0.00	24,136.14
493.40	0.00	727,551.819	69,432.08	0.00	0.00	24,251.73
493.45	0.00	731,027.529	69,596.34	0.00	0.00	24,367.58
493.50	0.00	734,511.457	69,760.80	0.00	0.00	24,483.72
493.55	0.00	738,003.612	69,925.44	0.00	0.00	24,600.12
493.60	0.00	741,504.005	70,090.28	0.00	0.00	24,716.80
493.65	0.00	745,012.644	70,255.32	0.00	0.00	24,833.75
493.70	0.00	748,529.540	70,420.55	0.00	0.00	24,950.98
493.75	0.00	752,054.702	70,585.97	0.00	0.00	25,068.49
493.80	0.00	755,588.140	70,751.59	0.00	0.00	25,186.27
493.85	0.00	759,129.864	70,917.40	0.00	0.00	25,304.33
493.90	0.00	762,679.884	71,083.41	0.00	0.00	25,422.66
493.95	0.00	766,238.208	71,249.61	0.00	0.00	25,541.27
494.00	0.00	769,804.848	71,416.00	0.00	0.00	25,660.16
494.05	0.00	773,379.792	71,581.82	0.00	0.00	25,779.33
494.10	0.00	776,963.033	71,747.84	0.00	0.00	25,898.77
494.15	0.00	780,554.579	71,914.05	0.00	0.00	26,018.49
494.20	0.00	784,154.441	72,080.45	0.00	0.00	26,138.48
494.25	0.00	787,762.627	72,247.04	0.00	0.00	26,258.75
494.30	0.00	791,379.148	72,413.82	0.00	0.00	26,379.30
494.35	0.00	795,004.013	72,580.80	0.00	0.00	26,500.13
494.40	0.00	798,637.231	72,747.97	0.00	0.00	26,621.24
494.45	0.00	802,278.813	72,915.33	0.00	0.00	26,742.63
494.50	0.00	805,928.768	73,082.89	0.00	0.00	26,864.29
494.55	0.00	809,587.105	73,250.63	0.00	0.00	26,986.24
494.60	0.00	813,253.834	73,418.57	0.00	0.00	27,108.46
494.65	0.00	816,928.965	73,586.70	0.00	0.00	27,230.97
494.70	0.00	820,612.507	73,755.02	0.00	0.00	27,353.75
494.75	0.00	824,304.471	73,923.54	0.00	0.00	27,476.82
494.80	0.00	828,004.864	74,092.25	0.00	0.00	27,600.16
494.85	0.00	831,713.698	74,261.15	0.00	0.00	27,723.79
494.90	0.00	835,430.982	74,430.24	0.00	0.00	27,847.70
494.95	0.00	839,156.726	74,599.52	0.00	0.00	27,971.89
495.00	0.00	842,890.938	74,769.00	0.00	0.00	28,096.36
495.05	0.00	846,633.635	74,938.92	0.00	0.00	28,221.12
495.10	0.00	850,384.833	75,109.03	0.00	0.00	28,346.16
495.15	0.00	854,144.541	75,279.33	0.00	0.00	28,471.48
495.20	0.00	857,912.769	75,449.83	0.00	0.00	28,597.09
495.25	0.00	861,689.527	75,620.52	0.00	0.00	28,722.98

Subsection: Elevation-Volume-Flow Table (Pond)  
 Label: Basin

Return Event: 2 years  
 Storm Event:

Elevation (ft)	Outflow (ft <sup>3</sup> /s)	Storage (ft <sup>3</sup> )	Area (ft <sup>2</sup> )	Infiltration (ft <sup>3</sup> /s)	Flow (Total) (ft <sup>3</sup> /s)	2S/t + O (ft <sup>3</sup> /s)
495.30	0.00	865,474.824	75,791.40	0.00	0.00	28,849.16
495.35	0.00	869,268.670	75,962.48	0.00	0.00	28,975.62
495.40	0.00	873,071.075	76,133.74	0.00	0.00	29,102.37
495.45	0.00	876,882.048	76,305.20	0.00	0.00	29,229.40
495.50	0.00	880,701.599	76,476.86	0.00	0.00	29,356.72
495.55	0.00	884,529.737	76,648.70	0.00	0.00	29,484.32
495.60	0.00	888,366.472	76,820.74	0.00	0.00	29,612.22
495.65	0.00	892,211.814	76,992.98	0.00	0.00	29,740.39
495.70	0.00	896,065.773	77,165.40	0.00	0.00	29,868.86
495.75	0.00	899,928.358	77,338.02	0.00	0.00	29,997.61
495.80	0.00	903,799.578	77,510.83	0.00	0.00	30,126.65
495.85	13.41	907,679.444	77,683.83	0.00	13.41	30,269.39
495.90	19.02	911,567.964	77,857.03	0.00	19.02	30,404.62
495.95	23.34	915,465.150	78,030.42	0.00	23.34	30,538.85
496.00	26.86	919,371.009	78,204.00	0.00	26.86	30,672.56
496.05	30.07	923,285.496	78,375.52	0.00	30.07	30,806.25
496.10	32.96	927,208.564	78,547.22	0.00	32.96	30,939.91
496.15	35.62	931,140.221	78,719.11	0.00	35.62	31,073.63
496.20	38.12	935,080.478	78,891.19	0.00	38.12	31,207.47
496.25	40.39	939,029.343	79,063.45	0.00	40.39	31,341.37
496.30	42.58	942,986.827	79,235.91	0.00	42.58	31,475.48
496.35	44.62	946,952.937	79,408.55	0.00	44.62	31,609.71
496.40	46.66	950,927.685	79,581.38	0.00	46.66	31,744.25
496.45	48.54	954,911.079	79,754.40	0.00	48.54	31,878.91
496.50	50.35	958,903.128	79,927.61	0.00	50.35	32,013.79
496.55	52.17	962,903.842	80,101.00	0.00	52.17	32,148.97
496.60	53.82	966,913.231	80,274.58	0.00	53.82	32,284.27
496.65	55.48	970,931.304	80,448.35	0.00	55.48	32,419.86
496.70	57.11	974,958.069	80,622.31	0.00	57.11	32,555.72
496.75	58.66	978,993.538	80,796.45	0.00	58.66	32,691.78
496.80	60.21	983,037.718	80,970.79	0.00	60.21	32,828.14
496.85	61.69	987,090.620	81,145.31	0.00	61.69	32,964.71
496.90	63.12	991,152.252	81,320.02	0.00	63.12	33,101.53
496.95	64.57	995,222.625	81,494.92	0.00	64.57	33,238.66
497.00	65.97	999,301.747	81,670.00	0.00	65.97	33,376.03

Subsection: Elevation-Volume-Flow Table (Pond)  
 Label: Basin

Return Event: 15 years  
 Storm Event:

Infiltration	
Infiltration Method (Computed)	No Infiltration

---

Initial Conditions	
Elevation (Water Surface, Initial)	488.50 ft
Volume (Initial)	425,250.000 ft <sup>3</sup>
Flow (Initial Outlet)	0.00 ft <sup>3</sup> /s
Flow (Initial Infiltration)	0.00 ft <sup>3</sup> /s
Flow (Initial, Total)	0.00 ft <sup>3</sup> /s
Time Increment	1 min

Elevation (ft)	Outflow (ft <sup>3</sup> /s)	Storage (ft <sup>3</sup> )	Area (ft <sup>2</sup> )	Infiltration (ft <sup>3</sup> /s)	Flow (Total) (ft <sup>3</sup> /s)	2S/t + O (ft <sup>3</sup> /s)
478.00	0.00	0.000	28,132.00	0.00	0.00	0.00
478.05	0.00	1,409.216	28,236.65	0.00	0.00	46.97
478.10	0.00	2,823.669	28,341.50	0.00	0.00	94.12
478.15	0.00	4,243.369	28,446.55	0.00	0.00	141.45
478.20	0.00	5,668.326	28,551.78	0.00	0.00	188.94
478.25	0.00	7,098.551	28,657.21	0.00	0.00	236.62
478.30	0.00	8,534.051	28,762.84	0.00	0.00	284.47
478.35	0.00	9,974.838	28,868.66	0.00	0.00	332.49
478.40	0.00	11,420.920	28,974.67	0.00	0.00	380.70
478.45	0.00	12,872.308	29,080.88	0.00	0.00	429.08
478.50	0.00	14,329.012	29,187.28	0.00	0.00	477.63
478.55	0.00	15,791.040	29,293.88	0.00	0.00	526.37
478.60	0.00	17,258.403	29,400.67	0.00	0.00	575.28
478.65	0.00	18,731.111	29,507.66	0.00	0.00	624.37
478.70	0.00	20,209.172	29,614.84	0.00	0.00	673.64
478.75	0.00	21,692.598	29,722.21	0.00	0.00	723.09
478.80	0.00	23,181.397	29,829.78	0.00	0.00	772.71
478.85	0.00	24,675.579	29,937.55	0.00	0.00	822.52
478.90	0.00	26,175.155	30,045.50	0.00	0.00	872.51
478.95	0.00	27,680.133	30,153.65	0.00	0.00	922.67
479.00	0.00	29,190.523	30,262.00	0.00	0.00	973.02
479.05	0.00	30,706.331	30,370.36	0.00	0.00	1,023.54
479.10	0.00	32,227.563	30,478.91	0.00	0.00	1,074.25
479.15	0.00	33,754.226	30,587.66	0.00	0.00	1,125.14
479.20	0.00	35,286.332	30,696.60	0.00	0.00	1,176.21
479.25	0.00	36,823.890	30,805.74	0.00	0.00	1,227.46
479.30	0.00	38,366.909	30,915.07	0.00	0.00	1,278.90
479.35	0.00	39,915.400	31,024.59	0.00	0.00	1,330.51
479.40	0.00	41,469.371	31,134.30	0.00	0.00	1,382.31
479.45	0.00	43,028.833	31,244.21	0.00	0.00	1,434.29
479.50	0.00	44,593.796	31,354.32	0.00	0.00	1,486.46

Subsection: Elevation-Volume-Flow Table (Pond)  
 Label: Basin

Return Event: 15 years  
 Storm Event:

Elevation (ft)	Outflow (ft <sup>3</sup> /s)	Storage (ft <sup>3</sup> )	Area (ft <sup>2</sup> )	Infiltration (ft <sup>3</sup> /s)	Flow (Total) (ft <sup>3</sup> /s)	2S/t + O (ft <sup>3</sup> /s)
479.55	0.00	46,164.268	31,464.61	0.00	0.00	1,538.81
479.60	0.00	47,740.260	31,575.10	0.00	0.00	1,591.34
479.65	0.00	49,321.782	31,685.79	0.00	0.00	1,644.06
479.70	0.00	50,908.842	31,796.67	0.00	0.00	1,696.96
479.75	0.00	52,501.452	31,907.74	0.00	0.00	1,750.05
479.80	0.00	54,099.619	32,019.00	0.00	0.00	1,803.32
479.85	0.00	55,703.355	32,130.46	0.00	0.00	1,856.78
479.90	0.00	57,312.669	32,242.11	0.00	0.00	1,910.42
479.95	0.00	58,927.570	32,353.96	0.00	0.00	1,964.25
480.00	0.00	60,548.068	32,466.00	0.00	0.00	2,018.27
480.05	0.00	62,174.176	32,578.36	0.00	0.00	2,072.47
480.10	0.00	63,805.907	32,690.91	0.00	0.00	2,126.86
480.15	0.00	65,443.270	32,803.65	0.00	0.00	2,181.44
480.20	0.00	67,086.275	32,916.59	0.00	0.00	2,236.21
480.25	0.00	68,734.932	33,029.72	0.00	0.00	2,291.16
480.30	0.00	70,389.251	33,143.05	0.00	0.00	2,346.31
480.35	0.00	72,049.240	33,256.57	0.00	0.00	2,401.64
480.40	0.00	73,714.911	33,370.28	0.00	0.00	2,457.16
480.45	0.00	75,386.272	33,484.19	0.00	0.00	2,512.88
480.50	0.00	77,063.333	33,598.30	0.00	0.00	2,568.78
480.55	0.00	78,746.105	33,712.59	0.00	0.00	2,624.87
480.60	0.00	80,434.596	33,827.08	0.00	0.00	2,681.15
480.65	0.00	82,128.816	33,941.77	0.00	0.00	2,737.63
480.70	0.00	83,828.776	34,056.65	0.00	0.00	2,794.29
480.75	0.00	85,534.484	34,171.72	0.00	0.00	2,851.15
480.80	0.00	87,245.951	34,286.99	0.00	0.00	2,908.20
480.85	0.00	88,963.187	34,402.45	0.00	0.00	2,965.44
480.90	0.00	90,686.200	34,518.11	0.00	0.00	3,022.87
480.95	0.00	92,415.001	34,633.96	0.00	0.00	3,080.50
481.00	0.00	94,149.599	34,750.00	0.00	0.00	3,138.32
481.05	0.00	95,889.987	34,865.58	0.00	0.00	3,196.33
481.10	0.00	97,636.160	34,981.35	0.00	0.00	3,254.54
481.15	0.00	99,388.125	35,097.31	0.00	0.00	3,312.94
481.20	0.00	101,145.893	35,213.46	0.00	0.00	3,371.53
481.25	0.00	102,909.474	35,329.80	0.00	0.00	3,430.32
481.30	0.00	104,678.877	35,446.34	0.00	0.00	3,489.30
481.35	0.00	106,454.112	35,563.07	0.00	0.00	3,548.47
481.40	0.00	108,235.187	35,679.99	0.00	0.00	3,607.84
481.45	0.00	110,022.114	35,797.10	0.00	0.00	3,667.40
481.50	0.00	111,814.901	35,914.41	0.00	0.00	3,727.16
481.55	0.00	113,613.557	36,031.90	0.00	0.00	3,787.12
481.60	0.00	115,418.094	36,149.59	0.00	0.00	3,847.27
481.65	0.00	117,228.520	36,267.47	0.00	0.00	3,907.62
481.70	0.00	119,044.844	36,385.54	0.00	0.00	3,968.16
481.75	0.00	120,867.077	36,503.80	0.00	0.00	4,028.90

Subsection: Elevation-Volume-Flow Table (Pond)  
 Label: Basin

Return Event: 15 years  
 Storm Event:

Elevation (ft)	Outflow (ft <sup>3</sup> /s)	Storage (ft <sup>3</sup> )	Area (ft <sup>2</sup> )	Infiltration (ft <sup>3</sup> /s)	Flow (Total) (ft <sup>3</sup> /s)	2S/t + O (ft <sup>3</sup> /s)
481.80	0.00	122,695.228	36,622.26	0.00	0.00	4,089.84
481.85	0.00	124,529.306	36,740.91	0.00	0.00	4,150.98
481.90	0.00	126,369.322	36,859.75	0.00	0.00	4,212.31
481.95	0.00	128,215.284	36,978.78	0.00	0.00	4,273.84
482.00	0.00	130,067.203	37,098.00	0.00	0.00	4,335.57
482.05	0.00	131,925.093	37,217.67	0.00	0.00	4,397.50
482.10	0.00	133,788.973	37,337.53	0.00	0.00	4,459.63
482.15	0.00	135,658.850	37,457.59	0.00	0.00	4,521.96
482.20	0.00	137,534.734	37,577.83	0.00	0.00	4,584.49
482.25	0.00	139,416.636	37,698.27	0.00	0.00	4,647.22
482.30	0.00	141,304.565	37,818.91	0.00	0.00	4,710.15
482.35	0.00	143,198.530	37,939.73	0.00	0.00	4,773.28
482.40	0.00	145,098.541	38,060.75	0.00	0.00	4,836.62
482.45	0.00	147,004.608	38,181.96	0.00	0.00	4,900.15
482.50	0.00	148,916.741	38,303.36	0.00	0.00	4,963.89
482.55	0.00	150,834.948	38,424.96	0.00	0.00	5,027.83
482.60	0.00	152,759.240	38,546.75	0.00	0.00	5,091.97
482.65	0.00	154,689.626	38,668.73	0.00	0.00	5,156.32
482.70	0.00	156,626.117	38,790.91	0.00	0.00	5,220.87
482.75	0.00	158,568.720	38,913.27	0.00	0.00	5,285.62
482.80	0.00	160,517.447	39,035.83	0.00	0.00	5,350.58
482.85	0.00	162,472.307	39,158.59	0.00	0.00	5,415.74
482.90	0.00	164,433.309	39,281.53	0.00	0.00	5,481.11
482.95	0.00	166,400.463	39,404.67	0.00	0.00	5,546.68
483.00	0.00	168,373.779	39,528.00	0.00	0.00	5,612.46
483.05	0.00	170,353.266	39,651.52	0.00	0.00	5,678.44
483.10	0.00	172,338.934	39,775.23	0.00	0.00	5,744.63
483.15	0.00	174,330.793	39,899.14	0.00	0.00	5,811.03
483.20	0.00	176,328.851	40,023.23	0.00	0.00	5,877.63
483.25	0.00	178,333.119	40,147.52	0.00	0.00	5,944.44
483.30	0.00	180,343.607	40,272.01	0.00	0.00	6,011.45
483.35	0.00	182,360.323	40,396.68	0.00	0.00	6,078.68
483.40	0.00	184,383.278	40,521.55	0.00	0.00	6,146.11
483.45	0.00	186,412.481	40,646.61	0.00	0.00	6,213.75
483.50	0.00	188,447.943	40,771.87	0.00	0.00	6,281.60
483.55	0.00	190,489.671	40,897.31	0.00	0.00	6,349.66
483.60	0.00	192,537.677	41,022.95	0.00	0.00	6,417.92
483.65	0.00	194,591.970	41,148.78	0.00	0.00	6,486.40
483.70	0.00	196,652.558	41,274.81	0.00	0.00	6,555.09
483.75	0.00	198,719.453	41,401.02	0.00	0.00	6,623.98
483.80	0.00	200,792.664	41,527.43	0.00	0.00	6,693.09
483.85	0.00	202,872.200	41,654.04	0.00	0.00	6,762.41
483.90	0.00	204,958.071	41,780.83	0.00	0.00	6,831.94
483.95	0.00	207,050.286	41,907.82	0.00	0.00	6,901.68
484.00	0.00	209,148.856	42,035.00	0.00	0.00	6,971.63

Subsection: Elevation-Volume-Flow Table (Pond)  
 Label: Basin

Return Event: 15 years  
 Storm Event:

Elevation (ft)	Outflow (ft <sup>3</sup> /s)	Storage (ft <sup>3</sup> )	Area (ft <sup>2</sup> )	Infiltration (ft <sup>3</sup> /s)	Flow (Total) (ft <sup>3</sup> /s)	2S/t + O (ft <sup>3</sup> /s)
484.05	0.00	211,253.790	42,162.37	0.00	0.00	7,041.79
484.10	0.00	213,365.096	42,289.93	0.00	0.00	7,112.17
484.15	0.00	215,482.786	42,417.69	0.00	0.00	7,182.76
484.20	0.00	217,606.868	42,545.63	0.00	0.00	7,253.56
484.25	0.00	219,737.353	42,673.77	0.00	0.00	7,324.58
484.30	0.00	221,874.249	42,802.11	0.00	0.00	7,395.81
484.35	0.00	224,017.567	42,930.63	0.00	0.00	7,467.25
484.40	0.00	226,167.315	43,059.35	0.00	0.00	7,538.91
484.45	0.00	228,323.505	43,188.26	0.00	0.00	7,610.78
484.50	0.00	230,486.145	43,317.37	0.00	0.00	7,682.87
484.55	0.00	232,655.245	43,446.66	0.00	0.00	7,755.17
484.60	0.00	234,830.814	43,576.15	0.00	0.00	7,827.69
484.65	0.00	237,012.863	43,705.83	0.00	0.00	7,900.43
484.70	0.00	239,201.401	43,835.71	0.00	0.00	7,973.38
484.75	0.00	241,396.437	43,965.77	0.00	0.00	8,046.55
484.80	0.00	243,597.981	44,096.03	0.00	0.00	8,119.93
484.85	0.00	245,806.044	44,226.49	0.00	0.00	8,193.53
484.90	0.00	248,020.633	44,357.13	0.00	0.00	8,267.35
484.95	0.00	250,241.760	44,487.97	0.00	0.00	8,341.39
485.00	0.00	252,469.434	44,619.00	0.00	0.00	8,415.65
485.05	0.00	254,703.661	44,750.12	0.00	0.00	8,490.12
485.10	0.00	256,944.449	44,881.44	0.00	0.00	8,564.81
485.15	0.00	259,191.808	45,012.94	0.00	0.00	8,639.73
485.20	0.00	261,445.747	45,144.64	0.00	0.00	8,714.86
485.25	0.00	263,706.275	45,276.54	0.00	0.00	8,790.21
485.30	0.00	265,973.403	45,408.62	0.00	0.00	8,865.78
485.35	0.00	268,247.140	45,540.90	0.00	0.00	8,941.57
485.40	0.00	270,527.496	45,673.37	0.00	0.00	9,017.58
485.45	0.00	272,814.480	45,806.03	0.00	0.00	9,093.82
485.50	0.00	275,108.102	45,938.88	0.00	0.00	9,170.27
485.55	0.00	277,408.372	46,071.93	0.00	0.00	9,246.95
485.60	0.00	279,715.298	46,205.17	0.00	0.00	9,323.84
485.65	0.00	282,028.891	46,338.60	0.00	0.00	9,400.96
485.70	0.00	284,349.161	46,472.22	0.00	0.00	9,478.31
485.75	0.00	286,676.117	46,606.04	0.00	0.00	9,555.87
485.80	0.00	289,009.768	46,740.04	0.00	0.00	9,633.66
485.85	0.00	291,350.124	46,874.24	0.00	0.00	9,711.67
485.90	0.00	293,697.195	47,008.64	0.00	0.00	9,789.91
485.95	0.00	296,050.991	47,143.22	0.00	0.00	9,868.37
486.00	0.00	298,411.521	47,278.00	0.00	0.00	9,947.05
486.05	0.00	300,778.799	47,413.17	0.00	0.00	10,025.96
486.10	0.00	303,152.841	47,548.53	0.00	0.00	10,105.09
486.15	0.00	305,533.655	47,684.08	0.00	0.00	10,184.46
486.20	0.00	307,921.252	47,819.83	0.00	0.00	10,264.04
486.25	0.00	310,315.641	47,955.76	0.00	0.00	10,343.85

Subsection: Elevation-Volume-Flow Table (Pond)  
 Label: Basin

Return Event: 15 years  
 Storm Event:

Elevation (ft)	Outflow (ft <sup>3</sup> /s)	Storage (ft <sup>3</sup> )	Area (ft <sup>2</sup> )	Infiltration (ft <sup>3</sup> /s)	Flow (Total) (ft <sup>3</sup> /s)	2S/t + O (ft <sup>3</sup> /s)
486.30	0.00	312,716.832	48,091.90	0.00	0.00	10,423.89
486.35	0.00	315,124.834	48,228.22	0.00	0.00	10,504.16
486.40	0.00	317,539.657	48,364.74	0.00	0.00	10,584.66
486.45	0.00	319,961.311	48,501.45	0.00	0.00	10,665.38
486.50	0.00	322,389.805	48,638.35	0.00	0.00	10,746.33
486.55	0.00	324,825.149	48,775.45	0.00	0.00	10,827.50
486.60	0.00	327,267.353	48,912.74	0.00	0.00	10,908.91
486.65	0.00	329,716.426	49,050.22	0.00	0.00	10,990.55
486.70	0.00	332,172.378	49,187.90	0.00	0.00	11,072.41
486.75	0.00	334,635.219	49,325.76	0.00	0.00	11,154.51
486.80	0.00	337,104.958	49,463.83	0.00	0.00	11,236.83
486.85	0.00	339,581.605	49,602.08	0.00	0.00	11,319.39
486.90	0.00	342,065.169	49,740.53	0.00	0.00	11,402.17
486.95	0.00	344,555.661	49,879.17	0.00	0.00	11,485.19
487.00	0.00	347,053.089	50,018.00	0.00	0.00	11,568.44
487.05	0.00	349,557.465	50,157.07	0.00	0.00	11,651.92
487.10	0.00	352,068.799	50,296.32	0.00	0.00	11,735.63
487.15	0.00	354,587.101	50,435.78	0.00	0.00	11,819.57
487.20	0.00	357,112.380	50,575.42	0.00	0.00	11,903.75
487.25	0.00	359,644.646	50,715.26	0.00	0.00	11,988.15
487.30	0.00	362,183.909	50,855.29	0.00	0.00	12,072.80
487.35	0.00	364,730.179	50,995.52	0.00	0.00	12,157.67
487.40	0.00	367,283.464	51,135.93	0.00	0.00	12,242.78
487.45	0.00	369,843.775	51,276.54	0.00	0.00	12,328.13
487.50	0.00	372,411.122	51,417.35	0.00	0.00	12,413.70
487.55	0.00	374,985.513	51,558.34	0.00	0.00	12,499.52
487.60	0.00	377,566.959	51,699.53	0.00	0.00	12,585.57
487.65	0.00	380,155.470	51,840.92	0.00	0.00	12,671.85
487.70	0.00	382,751.054	51,982.49	0.00	0.00	12,758.37
487.75	0.00	385,353.722	52,124.26	0.00	0.00	12,845.12
487.80	0.00	387,963.483	52,266.22	0.00	0.00	12,932.12
487.85	0.00	390,580.348	52,408.38	0.00	0.00	13,019.34
487.90	0.00	393,204.324	52,550.72	0.00	0.00	13,106.81
487.95	0.00	395,835.423	52,693.27	0.00	0.00	13,194.51
488.00	0.00	398,473.654	52,836.00	0.00	0.00	13,282.46
488.05	0.00	401,119.027	52,978.96	0.00	0.00	13,370.63
488.10	0.00	403,771.554	53,122.12	0.00	0.00	13,459.05
488.15	0.00	406,431.243	53,265.47	0.00	0.00	13,547.71
488.20	0.00	409,098.104	53,409.02	0.00	0.00	13,636.60
488.25	0.00	411,772.148	53,552.76	0.00	0.00	13,725.74
488.30	0.00	414,453.383	53,696.69	0.00	0.00	13,815.11
488.35	0.00	417,141.820	53,840.81	0.00	0.00	13,904.73
488.40	0.00	419,837.468	53,985.13	0.00	0.00	13,994.58
488.45	0.00	422,540.336	54,129.64	0.00	0.00	14,084.68
488.50	0.00	425,250.435	54,274.34	0.00	0.00	14,175.01



Subsection: Elevation-Volume-Flow Table (Pond)  
 Label: Basin

Return Event: 15 years  
 Storm Event:

Elevation (ft)	Outflow (ft <sup>3</sup> /s)	Storage (ft <sup>3</sup> )	Area (ft <sup>2</sup> )	Infiltration (ft <sup>3</sup> /s)	Flow (Total) (ft <sup>3</sup> /s)	2S/t + O (ft <sup>3</sup> /s)
488.55	0.00	427,967.774	54,419.24	0.00	0.00	14,265.59
488.60	0.00	430,692.362	54,564.33	0.00	0.00	14,356.41
488.65	0.00	433,424.210	54,709.61	0.00	0.00	14,447.47
488.70	0.00	436,163.326	54,855.09	0.00	0.00	14,538.78
488.75	0.00	438,909.722	55,000.76	0.00	0.00	14,630.32
488.80	0.00	441,663.405	55,146.62	0.00	0.00	14,722.11
488.85	0.00	444,424.387	55,292.67	0.00	0.00	14,814.15
488.90	0.00	447,192.676	55,438.92	0.00	0.00	14,906.42
488.95	0.00	449,968.282	55,585.36	0.00	0.00	14,998.94
489.00	0.00	452,751.215	55,732.00	0.00	0.00	15,091.71
489.05	0.00	455,541.492	55,879.11	0.00	0.00	15,184.72
489.10	0.00	458,339.130	56,026.41	0.00	0.00	15,277.97
489.15	0.00	461,144.137	56,173.91	0.00	0.00	15,371.47
489.20	0.00	463,956.523	56,321.60	0.00	0.00	15,465.22
489.25	0.00	466,776.299	56,469.48	0.00	0.00	15,559.21
489.30	0.00	469,603.474	56,617.56	0.00	0.00	15,653.45
489.35	0.00	472,438.058	56,765.83	0.00	0.00	15,747.94
489.40	0.00	475,280.060	56,914.29	0.00	0.00	15,842.67
489.45	0.00	478,129.491	57,062.95	0.00	0.00	15,937.65
489.50	0.00	480,986.359	57,211.81	0.00	0.00	16,032.88
489.55	0.00	483,850.675	57,360.85	0.00	0.00	16,128.36
489.60	0.00	486,722.447	57,510.09	0.00	0.00	16,224.08
489.65	0.00	489,601.687	57,659.53	0.00	0.00	16,320.06
489.70	0.00	492,488.403	57,809.16	0.00	0.00	16,416.28
489.75	0.00	495,382.606	57,958.98	0.00	0.00	16,512.75
489.80	0.00	498,284.305	58,109.00	0.00	0.00	16,609.48
489.85	0.00	501,193.509	58,259.21	0.00	0.00	16,706.45
489.90	0.00	504,110.228	58,409.61	0.00	0.00	16,803.67
489.95	0.00	507,034.473	58,560.21	0.00	0.00	16,901.15
490.00	0.00	509,966.252	58,711.00	0.00	0.00	16,998.88
490.05	0.00	512,905.578	58,862.06	0.00	0.00	17,096.85
490.10	0.00	515,852.461	59,013.31	0.00	0.00	17,195.08
490.15	0.00	518,806.912	59,164.75	0.00	0.00	17,293.56
490.20	0.00	521,768.940	59,316.39	0.00	0.00	17,392.30
490.25	0.00	524,738.554	59,468.22	0.00	0.00	17,491.29
490.30	0.00	527,715.765	59,620.25	0.00	0.00	17,590.53
490.35	0.00	530,700.582	59,772.47	0.00	0.00	17,690.02
490.40	0.00	533,693.015	59,924.88	0.00	0.00	17,789.77
490.45	0.00	536,693.074	60,077.49	0.00	0.00	17,889.77
490.50	0.00	539,700.768	60,230.30	0.00	0.00	17,990.03
490.55	0.00	542,716.107	60,383.29	0.00	0.00	18,090.54
490.60	0.00	545,739.100	60,536.48	0.00	0.00	18,191.30
490.65	0.00	548,769.758	60,689.87	0.00	0.00	18,292.33
490.70	0.00	551,808.091	60,843.45	0.00	0.00	18,393.60
490.75	0.00	554,854.106	60,997.22	0.00	0.00	18,495.14

Subsection: Elevation-Volume-Flow Table (Pond)  
 Label: Basin

Return Event: 15 years  
 Storm Event:

Elevation (ft)	Outflow (ft <sup>3</sup> /s)	Storage (ft <sup>3</sup> )	Area (ft <sup>2</sup> )	Infiltration (ft <sup>3</sup> /s)	Flow (Total) (ft <sup>3</sup> /s)	2S/t + O (ft <sup>3</sup> /s)
490.80	0.00	557,907.816	61,151.19	0.00	0.00	18,596.93
490.85	0.00	560,969.229	61,305.35	0.00	0.00	18,698.97
490.90	0.00	564,038.354	61,459.71	0.00	0.00	18,801.28
490.95	0.00	567,115.203	61,614.26	0.00	0.00	18,903.84
491.00	0.00	570,199.783	61,769.00	0.00	0.00	19,006.66
491.05	0.00	573,292.109	61,924.05	0.00	0.00	19,109.74
491.10	0.00	576,392.192	62,079.30	0.00	0.00	19,213.07
491.15	0.00	579,500.042	62,234.74	0.00	0.00	19,316.67
491.20	0.00	582,615.669	62,390.38	0.00	0.00	19,420.52
491.25	0.00	585,739.083	62,546.21	0.00	0.00	19,524.64
491.30	0.00	588,870.294	62,702.24	0.00	0.00	19,629.01
491.35	0.00	592,009.310	62,858.46	0.00	0.00	19,733.64
491.40	0.00	595,156.143	63,014.87	0.00	0.00	19,838.54
491.45	0.00	598,310.801	63,171.48	0.00	0.00	19,943.69
491.50	0.00	601,473.294	63,328.28	0.00	0.00	20,049.11
491.55	0.00	604,643.632	63,485.28	0.00	0.00	20,154.79
491.60	0.00	607,821.825	63,642.47	0.00	0.00	20,260.73
491.65	0.00	611,007.882	63,799.86	0.00	0.00	20,366.93
491.70	0.00	614,201.814	63,957.44	0.00	0.00	20,473.39
491.75	0.00	617,403.629	64,115.21	0.00	0.00	20,580.12
491.80	0.00	620,613.338	64,273.18	0.00	0.00	20,687.11
491.85	0.00	623,830.950	64,431.34	0.00	0.00	20,794.37
491.90	0.00	627,056.476	64,589.70	0.00	0.00	20,901.88
491.95	0.00	630,289.924	64,748.25	0.00	0.00	21,009.66
492.00	0.00	633,531.304	64,907.00	0.00	0.00	21,117.71
492.05	0.00	636,780.630	65,066.05	0.00	0.00	21,226.02
492.10	0.00	640,037.913	65,225.30	0.00	0.00	21,334.60
492.15	0.00	643,303.163	65,384.74	0.00	0.00	21,443.44
492.20	0.00	646,576.390	65,544.37	0.00	0.00	21,552.55
492.25	0.00	649,857.603	65,704.20	0.00	0.00	21,661.92
492.30	0.00	653,146.813	65,864.23	0.00	0.00	21,771.56
492.35	0.00	656,444.029	66,024.44	0.00	0.00	21,881.47
492.40	0.00	659,749.261	66,184.86	0.00	0.00	21,991.64
492.45	0.00	663,062.518	66,345.47	0.00	0.00	22,102.08
492.50	0.00	666,383.810	66,506.27	0.00	0.00	22,212.79
492.55	0.00	669,713.148	66,667.27	0.00	0.00	22,323.77
492.60	0.00	673,050.540	66,828.46	0.00	0.00	22,435.02
492.65	0.00	676,395.997	66,989.84	0.00	0.00	22,546.53
492.70	0.00	679,749.528	67,151.43	0.00	0.00	22,658.32
492.75	0.00	683,111.143	67,313.20	0.00	0.00	22,770.37
492.80	0.00	686,480.851	67,475.17	0.00	0.00	22,882.70
492.85	0.00	689,858.663	67,637.34	0.00	0.00	22,995.29
492.90	0.00	693,244.588	67,799.70	0.00	0.00	23,108.15
492.95	0.00	696,638.636	67,962.25	0.00	0.00	23,221.29
493.00	0.00	700,040.817	68,125.00	0.00	0.00	23,334.69

Subsection: Elevation-Volume-Flow Table (Pond)  
 Label: Basin

Return Event: 15 years  
 Storm Event:

Elevation (ft)	Outflow (ft <sup>3</sup> /s)	Storage (ft <sup>3</sup> )	Area (ft <sup>2</sup> )	Infiltration (ft <sup>3</sup> /s)	Flow (Total) (ft <sup>3</sup> /s)	2S/t + O (ft <sup>3</sup> /s)
493.05	0.00	703,451.133	68,287.71	0.00	0.00	23,448.37
493.10	0.00	706,869.590	68,450.61	0.00	0.00	23,562.32
493.15	0.00	710,296.197	68,613.70	0.00	0.00	23,676.54
493.20	0.00	713,730.964	68,776.99	0.00	0.00	23,791.03
493.25	0.00	717,173.900	68,940.47	0.00	0.00	23,905.80
493.30	0.00	720,625.014	69,104.15	0.00	0.00	24,020.83
493.35	0.00	724,084.318	69,268.02	0.00	0.00	24,136.14
493.40	0.00	727,551.819	69,432.08	0.00	0.00	24,251.73
493.45	0.00	731,027.529	69,596.34	0.00	0.00	24,367.58
493.50	0.00	734,511.457	69,760.80	0.00	0.00	24,483.72
493.55	0.00	738,003.612	69,925.44	0.00	0.00	24,600.12
493.60	0.00	741,504.005	70,090.28	0.00	0.00	24,716.80
493.65	0.00	745,012.644	70,255.32	0.00	0.00	24,833.75
493.70	0.00	748,529.540	70,420.55	0.00	0.00	24,950.98
493.75	0.00	752,054.702	70,585.97	0.00	0.00	25,068.49
493.80	0.00	755,588.140	70,751.59	0.00	0.00	25,186.27
493.85	0.00	759,129.864	70,917.40	0.00	0.00	25,304.33
493.90	0.00	762,679.884	71,083.41	0.00	0.00	25,422.66
493.95	0.00	766,238.208	71,249.61	0.00	0.00	25,541.27
494.00	0.00	769,804.848	71,416.00	0.00	0.00	25,660.16
494.05	0.00	773,379.792	71,581.82	0.00	0.00	25,779.33
494.10	0.00	776,963.033	71,747.84	0.00	0.00	25,898.77
494.15	0.00	780,554.579	71,914.05	0.00	0.00	26,018.49
494.20	0.00	784,154.441	72,080.45	0.00	0.00	26,138.48
494.25	0.00	787,762.627	72,247.04	0.00	0.00	26,258.75
494.30	0.00	791,379.148	72,413.82	0.00	0.00	26,379.30
494.35	0.00	795,004.013	72,580.80	0.00	0.00	26,500.13
494.40	0.00	798,637.231	72,747.97	0.00	0.00	26,621.24
494.45	0.00	802,278.813	72,915.33	0.00	0.00	26,742.63
494.50	0.00	805,928.768	73,082.89	0.00	0.00	26,864.29
494.55	0.00	809,587.105	73,250.63	0.00	0.00	26,986.24
494.60	0.00	813,253.834	73,418.57	0.00	0.00	27,108.46
494.65	0.00	816,928.965	73,586.70	0.00	0.00	27,230.97
494.70	0.00	820,612.507	73,755.02	0.00	0.00	27,353.75
494.75	0.00	824,304.471	73,923.54	0.00	0.00	27,476.82
494.80	0.00	828,004.864	74,092.25	0.00	0.00	27,600.16
494.85	0.00	831,713.698	74,261.15	0.00	0.00	27,723.79
494.90	0.00	835,430.982	74,430.24	0.00	0.00	27,847.70
494.95	0.00	839,156.726	74,599.52	0.00	0.00	27,971.89
495.00	0.00	842,890.938	74,769.00	0.00	0.00	28,096.36
495.05	0.00	846,633.635	74,938.92	0.00	0.00	28,221.12
495.10	0.00	850,384.833	75,109.03	0.00	0.00	28,346.16
495.15	0.00	854,144.541	75,279.33	0.00	0.00	28,471.48
495.20	0.00	857,912.769	75,449.83	0.00	0.00	28,597.09
495.25	0.00	861,689.527	75,620.52	0.00	0.00	28,722.98

Subsection: Elevation-Volume-Flow Table (Pond)  
 Label: Basin

Return Event: 15 years  
 Storm Event:

Elevation (ft)	Outflow (ft <sup>3</sup> /s)	Storage (ft <sup>3</sup> )	Area (ft <sup>2</sup> )	Infiltration (ft <sup>3</sup> /s)	Flow (Total) (ft <sup>3</sup> /s)	2S/t + O (ft <sup>3</sup> /s)
495.30	0.00	865,474.824	75,791.40	0.00	0.00	28,849.16
495.35	0.00	869,268.670	75,962.48	0.00	0.00	28,975.62
495.40	0.00	873,071.075	76,133.74	0.00	0.00	29,102.37
495.45	0.00	876,882.048	76,305.20	0.00	0.00	29,229.40
495.50	0.00	880,701.599	76,476.86	0.00	0.00	29,356.72
495.55	0.00	884,529.737	76,648.70	0.00	0.00	29,484.32
495.60	0.00	888,366.472	76,820.74	0.00	0.00	29,612.22
495.65	0.00	892,211.814	76,992.98	0.00	0.00	29,740.39
495.70	0.00	896,065.773	77,165.40	0.00	0.00	29,868.86
495.75	0.00	899,928.358	77,338.02	0.00	0.00	29,997.61
495.80	0.00	903,799.578	77,510.83	0.00	0.00	30,126.65
495.85	13.41	907,679.444	77,683.83	0.00	13.41	30,269.39
495.90	19.02	911,567.964	77,857.03	0.00	19.02	30,404.62
495.95	23.34	915,465.150	78,030.42	0.00	23.34	30,538.85
496.00	26.86	919,371.009	78,204.00	0.00	26.86	30,672.56
496.05	30.07	923,285.496	78,375.52	0.00	30.07	30,806.25
496.10	32.96	927,208.564	78,547.22	0.00	32.96	30,939.91
496.15	35.62	931,140.221	78,719.11	0.00	35.62	31,073.63
496.20	38.12	935,080.478	78,891.19	0.00	38.12	31,207.47
496.25	40.39	939,029.343	79,063.45	0.00	40.39	31,341.37
496.30	42.58	942,986.827	79,235.91	0.00	42.58	31,475.48
496.35	44.62	946,952.937	79,408.55	0.00	44.62	31,609.71
496.40	46.66	950,927.685	79,581.38	0.00	46.66	31,744.25
496.45	48.54	954,911.079	79,754.40	0.00	48.54	31,878.91
496.50	50.35	958,903.128	79,927.61	0.00	50.35	32,013.79
496.55	52.17	962,903.842	80,101.00	0.00	52.17	32,148.97
496.60	53.82	966,913.231	80,274.58	0.00	53.82	32,284.27
496.65	55.48	970,931.304	80,448.35	0.00	55.48	32,419.86
496.70	57.11	974,958.069	80,622.31	0.00	57.11	32,555.72
496.75	58.66	978,993.538	80,796.45	0.00	58.66	32,691.78
496.80	60.21	983,037.718	80,970.79	0.00	60.21	32,828.14
496.85	61.69	987,090.620	81,145.31	0.00	61.69	32,964.71
496.90	63.12	991,152.252	81,320.02	0.00	63.12	33,101.53
496.95	64.57	995,222.625	81,494.92	0.00	64.57	33,238.66
497.00	65.97	999,301.747	81,670.00	0.00	65.97	33,376.03

Subsection: Elevation-Volume-Flow Table (Pond)  
 Label: Basin

Return Event: 25 years  
 Storm Event:

Infiltration	
Infiltration Method (Computed)	No Infiltration

---

Initial Conditions	
Elevation (Water Surface, Initial)	488.50 ft
Volume (Initial)	425,250.000 ft <sup>3</sup>
Flow (Initial Outlet)	0.00 ft <sup>3</sup> /s
Flow (Initial Infiltration)	0.00 ft <sup>3</sup> /s
Flow (Initial, Total)	0.00 ft <sup>3</sup> /s
Time Increment	1 min

Elevation (ft)	Outflow (ft <sup>3</sup> /s)	Storage (ft <sup>3</sup> )	Area (ft <sup>2</sup> )	Infiltration (ft <sup>3</sup> /s)	Flow (Total) (ft <sup>3</sup> /s)	2S/t + O (ft <sup>3</sup> /s)
478.00	0.00	0.000	28,132.00	0.00	0.00	0.00
478.05	0.00	1,409.216	28,236.65	0.00	0.00	46.97
478.10	0.00	2,823.669	28,341.50	0.00	0.00	94.12
478.15	0.00	4,243.369	28,446.55	0.00	0.00	141.45
478.20	0.00	5,668.326	28,551.78	0.00	0.00	188.94
478.25	0.00	7,098.551	28,657.21	0.00	0.00	236.62
478.30	0.00	8,534.051	28,762.84	0.00	0.00	284.47
478.35	0.00	9,974.838	28,868.66	0.00	0.00	332.49
478.40	0.00	11,420.920	28,974.67	0.00	0.00	380.70
478.45	0.00	12,872.308	29,080.88	0.00	0.00	429.08
478.50	0.00	14,329.012	29,187.28	0.00	0.00	477.63
478.55	0.00	15,791.040	29,293.88	0.00	0.00	526.37
478.60	0.00	17,258.403	29,400.67	0.00	0.00	575.28
478.65	0.00	18,731.111	29,507.66	0.00	0.00	624.37
478.70	0.00	20,209.172	29,614.84	0.00	0.00	673.64
478.75	0.00	21,692.598	29,722.21	0.00	0.00	723.09
478.80	0.00	23,181.397	29,829.78	0.00	0.00	772.71
478.85	0.00	24,675.579	29,937.55	0.00	0.00	822.52
478.90	0.00	26,175.155	30,045.50	0.00	0.00	872.51
478.95	0.00	27,680.133	30,153.65	0.00	0.00	922.67
479.00	0.00	29,190.523	30,262.00	0.00	0.00	973.02
479.05	0.00	30,706.331	30,370.36	0.00	0.00	1,023.54
479.10	0.00	32,227.563	30,478.91	0.00	0.00	1,074.25
479.15	0.00	33,754.226	30,587.66	0.00	0.00	1,125.14
479.20	0.00	35,286.332	30,696.60	0.00	0.00	1,176.21
479.25	0.00	36,823.890	30,805.74	0.00	0.00	1,227.46
479.30	0.00	38,366.909	30,915.07	0.00	0.00	1,278.90
479.35	0.00	39,915.400	31,024.59	0.00	0.00	1,330.51
479.40	0.00	41,469.371	31,134.30	0.00	0.00	1,382.31
479.45	0.00	43,028.833	31,244.21	0.00	0.00	1,434.29
479.50	0.00	44,593.796	31,354.32	0.00	0.00	1,486.46

Subsection: Elevation-Volume-Flow Table (Pond)  
 Label: Basin

Return Event: 25 years  
 Storm Event:

Elevation (ft)	Outflow (ft <sup>3</sup> /s)	Storage (ft <sup>3</sup> )	Area (ft <sup>2</sup> )	Infiltration (ft <sup>3</sup> /s)	Flow (Total) (ft <sup>3</sup> /s)	2S/t + O (ft <sup>3</sup> /s)
479.55	0.00	46,164.268	31,464.61	0.00	0.00	1,538.81
479.60	0.00	47,740.260	31,575.10	0.00	0.00	1,591.34
479.65	0.00	49,321.782	31,685.79	0.00	0.00	1,644.06
479.70	0.00	50,908.842	31,796.67	0.00	0.00	1,696.96
479.75	0.00	52,501.452	31,907.74	0.00	0.00	1,750.05
479.80	0.00	54,099.619	32,019.00	0.00	0.00	1,803.32
479.85	0.00	55,703.355	32,130.46	0.00	0.00	1,856.78
479.90	0.00	57,312.669	32,242.11	0.00	0.00	1,910.42
479.95	0.00	58,927.570	32,353.96	0.00	0.00	1,964.25
480.00	0.00	60,548.068	32,466.00	0.00	0.00	2,018.27
480.05	0.00	62,174.176	32,578.36	0.00	0.00	2,072.47
480.10	0.00	63,805.907	32,690.91	0.00	0.00	2,126.86
480.15	0.00	65,443.270	32,803.65	0.00	0.00	2,181.44
480.20	0.00	67,086.275	32,916.59	0.00	0.00	2,236.21
480.25	0.00	68,734.932	33,029.72	0.00	0.00	2,291.16
480.30	0.00	70,389.251	33,143.05	0.00	0.00	2,346.31
480.35	0.00	72,049.240	33,256.57	0.00	0.00	2,401.64
480.40	0.00	73,714.911	33,370.28	0.00	0.00	2,457.16
480.45	0.00	75,386.272	33,484.19	0.00	0.00	2,512.88
480.50	0.00	77,063.333	33,598.30	0.00	0.00	2,568.78
480.55	0.00	78,746.105	33,712.59	0.00	0.00	2,624.87
480.60	0.00	80,434.596	33,827.08	0.00	0.00	2,681.15
480.65	0.00	82,128.816	33,941.77	0.00	0.00	2,737.63
480.70	0.00	83,828.776	34,056.65	0.00	0.00	2,794.29
480.75	0.00	85,534.484	34,171.72	0.00	0.00	2,851.15
480.80	0.00	87,245.951	34,286.99	0.00	0.00	2,908.20
480.85	0.00	88,963.187	34,402.45	0.00	0.00	2,965.44
480.90	0.00	90,686.200	34,518.11	0.00	0.00	3,022.87
480.95	0.00	92,415.001	34,633.96	0.00	0.00	3,080.50
481.00	0.00	94,149.599	34,750.00	0.00	0.00	3,138.32
481.05	0.00	95,889.987	34,865.58	0.00	0.00	3,196.33
481.10	0.00	97,636.160	34,981.35	0.00	0.00	3,254.54
481.15	0.00	99,388.125	35,097.31	0.00	0.00	3,312.94
481.20	0.00	101,145.893	35,213.46	0.00	0.00	3,371.53
481.25	0.00	102,909.474	35,329.80	0.00	0.00	3,430.32
481.30	0.00	104,678.877	35,446.34	0.00	0.00	3,489.30
481.35	0.00	106,454.112	35,563.07	0.00	0.00	3,548.47
481.40	0.00	108,235.187	35,679.99	0.00	0.00	3,607.84
481.45	0.00	110,022.114	35,797.10	0.00	0.00	3,667.40
481.50	0.00	111,814.901	35,914.41	0.00	0.00	3,727.16
481.55	0.00	113,613.557	36,031.90	0.00	0.00	3,787.12
481.60	0.00	115,418.094	36,149.59	0.00	0.00	3,847.27
481.65	0.00	117,228.520	36,267.47	0.00	0.00	3,907.62
481.70	0.00	119,044.844	36,385.54	0.00	0.00	3,968.16
481.75	0.00	120,867.077	36,503.80	0.00	0.00	4,028.90

Subsection: Elevation-Volume-Flow Table (Pond)  
 Label: Basin

Return Event: 25 years  
 Storm Event:

Elevation (ft)	Outflow (ft <sup>3</sup> /s)	Storage (ft <sup>3</sup> )	Area (ft <sup>2</sup> )	Infiltration (ft <sup>3</sup> /s)	Flow (Total) (ft <sup>3</sup> /s)	2S/t + O (ft <sup>3</sup> /s)
481.80	0.00	122,695.228	36,622.26	0.00	0.00	4,089.84
481.85	0.00	124,529.306	36,740.91	0.00	0.00	4,150.98
481.90	0.00	126,369.322	36,859.75	0.00	0.00	4,212.31
481.95	0.00	128,215.284	36,978.78	0.00	0.00	4,273.84
482.00	0.00	130,067.203	37,098.00	0.00	0.00	4,335.57
482.05	0.00	131,925.093	37,217.67	0.00	0.00	4,397.50
482.10	0.00	133,788.973	37,337.53	0.00	0.00	4,459.63
482.15	0.00	135,658.850	37,457.59	0.00	0.00	4,521.96
482.20	0.00	137,534.734	37,577.83	0.00	0.00	4,584.49
482.25	0.00	139,416.636	37,698.27	0.00	0.00	4,647.22
482.30	0.00	141,304.565	37,818.91	0.00	0.00	4,710.15
482.35	0.00	143,198.530	37,939.73	0.00	0.00	4,773.28
482.40	0.00	145,098.541	38,060.75	0.00	0.00	4,836.62
482.45	0.00	147,004.608	38,181.96	0.00	0.00	4,900.15
482.50	0.00	148,916.741	38,303.36	0.00	0.00	4,963.89
482.55	0.00	150,834.948	38,424.96	0.00	0.00	5,027.83
482.60	0.00	152,759.240	38,546.75	0.00	0.00	5,091.97
482.65	0.00	154,689.626	38,668.73	0.00	0.00	5,156.32
482.70	0.00	156,626.117	38,790.91	0.00	0.00	5,220.87
482.75	0.00	158,568.720	38,913.27	0.00	0.00	5,285.62
482.80	0.00	160,517.447	39,035.83	0.00	0.00	5,350.58
482.85	0.00	162,472.307	39,158.59	0.00	0.00	5,415.74
482.90	0.00	164,433.309	39,281.53	0.00	0.00	5,481.11
482.95	0.00	166,400.463	39,404.67	0.00	0.00	5,546.68
483.00	0.00	168,373.779	39,528.00	0.00	0.00	5,612.46
483.05	0.00	170,353.266	39,651.52	0.00	0.00	5,678.44
483.10	0.00	172,338.934	39,775.23	0.00	0.00	5,744.63
483.15	0.00	174,330.793	39,899.14	0.00	0.00	5,811.03
483.20	0.00	176,328.851	40,023.23	0.00	0.00	5,877.63
483.25	0.00	178,333.119	40,147.52	0.00	0.00	5,944.44
483.30	0.00	180,343.607	40,272.01	0.00	0.00	6,011.45
483.35	0.00	182,360.323	40,396.68	0.00	0.00	6,078.68
483.40	0.00	184,383.278	40,521.55	0.00	0.00	6,146.11
483.45	0.00	186,412.481	40,646.61	0.00	0.00	6,213.75
483.50	0.00	188,447.943	40,771.87	0.00	0.00	6,281.60
483.55	0.00	190,489.671	40,897.31	0.00	0.00	6,349.66
483.60	0.00	192,537.677	41,022.95	0.00	0.00	6,417.92
483.65	0.00	194,591.970	41,148.78	0.00	0.00	6,486.40
483.70	0.00	196,652.558	41,274.81	0.00	0.00	6,555.09
483.75	0.00	198,719.453	41,401.02	0.00	0.00	6,623.98
483.80	0.00	200,792.664	41,527.43	0.00	0.00	6,693.09
483.85	0.00	202,872.200	41,654.04	0.00	0.00	6,762.41
483.90	0.00	204,958.071	41,780.83	0.00	0.00	6,831.94
483.95	0.00	207,050.286	41,907.82	0.00	0.00	6,901.68
484.00	0.00	209,148.856	42,035.00	0.00	0.00	6,971.63

Subsection: Elevation-Volume-Flow Table (Pond)  
 Label: Basin

Return Event: 25 years  
 Storm Event:

Elevation (ft)	Outflow (ft <sup>3</sup> /s)	Storage (ft <sup>3</sup> )	Area (ft <sup>2</sup> )	Infiltration (ft <sup>3</sup> /s)	Flow (Total) (ft <sup>3</sup> /s)	2S/t + O (ft <sup>3</sup> /s)
484.05	0.00	211,253.790	42,162.37	0.00	0.00	7,041.79
484.10	0.00	213,365.096	42,289.93	0.00	0.00	7,112.17
484.15	0.00	215,482.786	42,417.69	0.00	0.00	7,182.76
484.20	0.00	217,606.868	42,545.63	0.00	0.00	7,253.56
484.25	0.00	219,737.353	42,673.77	0.00	0.00	7,324.58
484.30	0.00	221,874.249	42,802.11	0.00	0.00	7,395.81
484.35	0.00	224,017.567	42,930.63	0.00	0.00	7,467.25
484.40	0.00	226,167.315	43,059.35	0.00	0.00	7,538.91
484.45	0.00	228,323.505	43,188.26	0.00	0.00	7,610.78
484.50	0.00	230,486.145	43,317.37	0.00	0.00	7,682.87
484.55	0.00	232,655.245	43,446.66	0.00	0.00	7,755.17
484.60	0.00	234,830.814	43,576.15	0.00	0.00	7,827.69
484.65	0.00	237,012.863	43,705.83	0.00	0.00	7,900.43
484.70	0.00	239,201.401	43,835.71	0.00	0.00	7,973.38
484.75	0.00	241,396.437	43,965.77	0.00	0.00	8,046.55
484.80	0.00	243,597.981	44,096.03	0.00	0.00	8,119.93
484.85	0.00	245,806.044	44,226.49	0.00	0.00	8,193.53
484.90	0.00	248,020.633	44,357.13	0.00	0.00	8,267.35
484.95	0.00	250,241.760	44,487.97	0.00	0.00	8,341.39
485.00	0.00	252,469.434	44,619.00	0.00	0.00	8,415.65
485.05	0.00	254,703.661	44,750.12	0.00	0.00	8,490.12
485.10	0.00	256,944.449	44,881.44	0.00	0.00	8,564.81
485.15	0.00	259,191.808	45,012.94	0.00	0.00	8,639.73
485.20	0.00	261,445.747	45,144.64	0.00	0.00	8,714.86
485.25	0.00	263,706.275	45,276.54	0.00	0.00	8,790.21
485.30	0.00	265,973.403	45,408.62	0.00	0.00	8,865.78
485.35	0.00	268,247.140	45,540.90	0.00	0.00	8,941.57
485.40	0.00	270,527.496	45,673.37	0.00	0.00	9,017.58
485.45	0.00	272,814.480	45,806.03	0.00	0.00	9,093.82
485.50	0.00	275,108.102	45,938.88	0.00	0.00	9,170.27
485.55	0.00	277,408.372	46,071.93	0.00	0.00	9,246.95
485.60	0.00	279,715.298	46,205.17	0.00	0.00	9,323.84
485.65	0.00	282,028.891	46,338.60	0.00	0.00	9,400.96
485.70	0.00	284,349.161	46,472.22	0.00	0.00	9,478.31
485.75	0.00	286,676.117	46,606.04	0.00	0.00	9,555.87
485.80	0.00	289,009.768	46,740.04	0.00	0.00	9,633.66
485.85	0.00	291,350.124	46,874.24	0.00	0.00	9,711.67
485.90	0.00	293,697.195	47,008.64	0.00	0.00	9,789.91
485.95	0.00	296,050.991	47,143.22	0.00	0.00	9,868.37
486.00	0.00	298,411.521	47,278.00	0.00	0.00	9,947.05
486.05	0.00	300,778.799	47,413.17	0.00	0.00	10,025.96
486.10	0.00	303,152.841	47,548.53	0.00	0.00	10,105.09
486.15	0.00	305,533.655	47,684.08	0.00	0.00	10,184.46
486.20	0.00	307,921.252	47,819.83	0.00	0.00	10,264.04
486.25	0.00	310,315.641	47,955.76	0.00	0.00	10,343.85



Subsection: Elevation-Volume-Flow Table (Pond)  
 Label: Basin

Return Event: 25 years  
 Storm Event:

Elevation (ft)	Outflow (ft <sup>3</sup> /s)	Storage (ft <sup>3</sup> )	Area (ft <sup>2</sup> )	Infiltration (ft <sup>3</sup> /s)	Flow (Total) (ft <sup>3</sup> /s)	2S/t + O (ft <sup>3</sup> /s)
486.30	0.00	312,716.832	48,091.90	0.00	0.00	10,423.89
486.35	0.00	315,124.834	48,228.22	0.00	0.00	10,504.16
486.40	0.00	317,539.657	48,364.74	0.00	0.00	10,584.66
486.45	0.00	319,961.311	48,501.45	0.00	0.00	10,665.38
486.50	0.00	322,389.805	48,638.35	0.00	0.00	10,746.33
486.55	0.00	324,825.149	48,775.45	0.00	0.00	10,827.50
486.60	0.00	327,267.353	48,912.74	0.00	0.00	10,908.91
486.65	0.00	329,716.426	49,050.22	0.00	0.00	10,990.55
486.70	0.00	332,172.378	49,187.90	0.00	0.00	11,072.41
486.75	0.00	334,635.219	49,325.76	0.00	0.00	11,154.51
486.80	0.00	337,104.958	49,463.83	0.00	0.00	11,236.83
486.85	0.00	339,581.605	49,602.08	0.00	0.00	11,319.39
486.90	0.00	342,065.169	49,740.53	0.00	0.00	11,402.17
486.95	0.00	344,555.661	49,879.17	0.00	0.00	11,485.19
487.00	0.00	347,053.089	50,018.00	0.00	0.00	11,568.44
487.05	0.00	349,557.465	50,157.07	0.00	0.00	11,651.92
487.10	0.00	352,068.799	50,296.32	0.00	0.00	11,735.63
487.15	0.00	354,587.101	50,435.78	0.00	0.00	11,819.57
487.20	0.00	357,112.380	50,575.42	0.00	0.00	11,903.75
487.25	0.00	359,644.646	50,715.26	0.00	0.00	11,988.15
487.30	0.00	362,183.909	50,855.29	0.00	0.00	12,072.80
487.35	0.00	364,730.179	50,995.52	0.00	0.00	12,157.67
487.40	0.00	367,283.464	51,135.93	0.00	0.00	12,242.78
487.45	0.00	369,843.775	51,276.54	0.00	0.00	12,328.13
487.50	0.00	372,411.122	51,417.35	0.00	0.00	12,413.70
487.55	0.00	374,985.513	51,558.34	0.00	0.00	12,499.52
487.60	0.00	377,566.959	51,699.53	0.00	0.00	12,585.57
487.65	0.00	380,155.470	51,840.92	0.00	0.00	12,671.85
487.70	0.00	382,751.054	51,982.49	0.00	0.00	12,758.37
487.75	0.00	385,353.722	52,124.26	0.00	0.00	12,845.12
487.80	0.00	387,963.483	52,266.22	0.00	0.00	12,932.12
487.85	0.00	390,580.348	52,408.38	0.00	0.00	13,019.34
487.90	0.00	393,204.324	52,550.72	0.00	0.00	13,106.81
487.95	0.00	395,835.423	52,693.27	0.00	0.00	13,194.51
488.00	0.00	398,473.654	52,836.00	0.00	0.00	13,282.46
488.05	0.00	401,119.027	52,978.96	0.00	0.00	13,370.63
488.10	0.00	403,771.554	53,122.12	0.00	0.00	13,459.05
488.15	0.00	406,431.243	53,265.47	0.00	0.00	13,547.71
488.20	0.00	409,098.104	53,409.02	0.00	0.00	13,636.60
488.25	0.00	411,772.148	53,552.76	0.00	0.00	13,725.74
488.30	0.00	414,453.383	53,696.69	0.00	0.00	13,815.11
488.35	0.00	417,141.820	53,840.81	0.00	0.00	13,904.73
488.40	0.00	419,837.468	53,985.13	0.00	0.00	13,994.58
488.45	0.00	422,540.336	54,129.64	0.00	0.00	14,084.68
488.50	0.00	425,250.435	54,274.34	0.00	0.00	14,175.01

Subsection: Elevation-Volume-Flow Table (Pond)  
 Label: Basin

Return Event: 25 years  
 Storm Event:

Elevation (ft)	Outflow (ft <sup>3</sup> /s)	Storage (ft <sup>3</sup> )	Area (ft <sup>2</sup> )	Infiltration (ft <sup>3</sup> /s)	Flow (Total) (ft <sup>3</sup> /s)	2S/t + O (ft <sup>3</sup> /s)
488.55	0.00	427,967.774	54,419.24	0.00	0.00	14,265.59
488.60	0.00	430,692.362	54,564.33	0.00	0.00	14,356.41
488.65	0.00	433,424.210	54,709.61	0.00	0.00	14,447.47
488.70	0.00	436,163.326	54,855.09	0.00	0.00	14,538.78
488.75	0.00	438,909.722	55,000.76	0.00	0.00	14,630.32
488.80	0.00	441,663.405	55,146.62	0.00	0.00	14,722.11
488.85	0.00	444,424.387	55,292.67	0.00	0.00	14,814.15
488.90	0.00	447,192.676	55,438.92	0.00	0.00	14,906.42
488.95	0.00	449,968.282	55,585.36	0.00	0.00	14,998.94
489.00	0.00	452,751.215	55,732.00	0.00	0.00	15,091.71
489.05	0.00	455,541.492	55,879.11	0.00	0.00	15,184.72
489.10	0.00	458,339.130	56,026.41	0.00	0.00	15,277.97
489.15	0.00	461,144.137	56,173.91	0.00	0.00	15,371.47
489.20	0.00	463,956.523	56,321.60	0.00	0.00	15,465.22
489.25	0.00	466,776.299	56,469.48	0.00	0.00	15,559.21
489.30	0.00	469,603.474	56,617.56	0.00	0.00	15,653.45
489.35	0.00	472,438.058	56,765.83	0.00	0.00	15,747.94
489.40	0.00	475,280.060	56,914.29	0.00	0.00	15,842.67
489.45	0.00	478,129.491	57,062.95	0.00	0.00	15,937.65
489.50	0.00	480,986.359	57,211.81	0.00	0.00	16,032.88
489.55	0.00	483,850.675	57,360.85	0.00	0.00	16,128.36
489.60	0.00	486,722.447	57,510.09	0.00	0.00	16,224.08
489.65	0.00	489,601.687	57,659.53	0.00	0.00	16,320.06
489.70	0.00	492,488.403	57,809.16	0.00	0.00	16,416.28
489.75	0.00	495,382.606	57,958.98	0.00	0.00	16,512.75
489.80	0.00	498,284.305	58,109.00	0.00	0.00	16,609.48
489.85	0.00	501,193.509	58,259.21	0.00	0.00	16,706.45
489.90	0.00	504,110.228	58,409.61	0.00	0.00	16,803.67
489.95	0.00	507,034.473	58,560.21	0.00	0.00	16,901.15
490.00	0.00	509,966.252	58,711.00	0.00	0.00	16,998.88
490.05	0.00	512,905.578	58,862.06	0.00	0.00	17,096.85
490.10	0.00	515,852.461	59,013.31	0.00	0.00	17,195.08
490.15	0.00	518,806.912	59,164.75	0.00	0.00	17,293.56
490.20	0.00	521,768.940	59,316.39	0.00	0.00	17,392.30
490.25	0.00	524,738.554	59,468.22	0.00	0.00	17,491.29
490.30	0.00	527,715.765	59,620.25	0.00	0.00	17,590.53
490.35	0.00	530,700.582	59,772.47	0.00	0.00	17,690.02
490.40	0.00	533,693.015	59,924.88	0.00	0.00	17,789.77
490.45	0.00	536,693.074	60,077.49	0.00	0.00	17,889.77
490.50	0.00	539,700.768	60,230.30	0.00	0.00	17,990.03
490.55	0.00	542,716.107	60,383.29	0.00	0.00	18,090.54
490.60	0.00	545,739.100	60,536.48	0.00	0.00	18,191.30
490.65	0.00	548,769.758	60,689.87	0.00	0.00	18,292.33
490.70	0.00	551,808.091	60,843.45	0.00	0.00	18,393.60
490.75	0.00	554,854.106	60,997.22	0.00	0.00	18,495.14

Subsection: Elevation-Volume-Flow Table (Pond)  
 Label: Basin

Return Event: 25 years  
 Storm Event:

Elevation (ft)	Outflow (ft <sup>3</sup> /s)	Storage (ft <sup>3</sup> )	Area (ft <sup>2</sup> )	Infiltration (ft <sup>3</sup> /s)	Flow (Total) (ft <sup>3</sup> /s)	2S/t + O (ft <sup>3</sup> /s)
490.80	0.00	557,907.816	61,151.19	0.00	0.00	18,596.93
490.85	0.00	560,969.229	61,305.35	0.00	0.00	18,698.97
490.90	0.00	564,038.354	61,459.71	0.00	0.00	18,801.28
490.95	0.00	567,115.203	61,614.26	0.00	0.00	18,903.84
491.00	0.00	570,199.783	61,769.00	0.00	0.00	19,006.66
491.05	0.00	573,292.109	61,924.05	0.00	0.00	19,109.74
491.10	0.00	576,392.192	62,079.30	0.00	0.00	19,213.07
491.15	0.00	579,500.042	62,234.74	0.00	0.00	19,316.67
491.20	0.00	582,615.669	62,390.38	0.00	0.00	19,420.52
491.25	0.00	585,739.083	62,546.21	0.00	0.00	19,524.64
491.30	0.00	588,870.294	62,702.24	0.00	0.00	19,629.01
491.35	0.00	592,009.310	62,858.46	0.00	0.00	19,733.64
491.40	0.00	595,156.143	63,014.87	0.00	0.00	19,838.54
491.45	0.00	598,310.801	63,171.48	0.00	0.00	19,943.69
491.50	0.00	601,473.294	63,328.28	0.00	0.00	20,049.11
491.55	0.00	604,643.632	63,485.28	0.00	0.00	20,154.79
491.60	0.00	607,821.825	63,642.47	0.00	0.00	20,260.73
491.65	0.00	611,007.882	63,799.86	0.00	0.00	20,366.93
491.70	0.00	614,201.814	63,957.44	0.00	0.00	20,473.39
491.75	0.00	617,403.629	64,115.21	0.00	0.00	20,580.12
491.80	0.00	620,613.338	64,273.18	0.00	0.00	20,687.11
491.85	0.00	623,830.950	64,431.34	0.00	0.00	20,794.37
491.90	0.00	627,056.476	64,589.70	0.00	0.00	20,901.88
491.95	0.00	630,289.924	64,748.25	0.00	0.00	21,009.66
492.00	0.00	633,531.304	64,907.00	0.00	0.00	21,117.71
492.05	0.00	636,780.630	65,066.05	0.00	0.00	21,226.02
492.10	0.00	640,037.913	65,225.30	0.00	0.00	21,334.60
492.15	0.00	643,303.163	65,384.74	0.00	0.00	21,443.44
492.20	0.00	646,576.390	65,544.37	0.00	0.00	21,552.55
492.25	0.00	649,857.603	65,704.20	0.00	0.00	21,661.92
492.30	0.00	653,146.813	65,864.23	0.00	0.00	21,771.56
492.35	0.00	656,444.029	66,024.44	0.00	0.00	21,881.47
492.40	0.00	659,749.261	66,184.86	0.00	0.00	21,991.64
492.45	0.00	663,062.518	66,345.47	0.00	0.00	22,102.08
492.50	0.00	666,383.810	66,506.27	0.00	0.00	22,212.79
492.55	0.00	669,713.148	66,667.27	0.00	0.00	22,323.77
492.60	0.00	673,050.540	66,828.46	0.00	0.00	22,435.02
492.65	0.00	676,395.997	66,989.84	0.00	0.00	22,546.53
492.70	0.00	679,749.528	67,151.43	0.00	0.00	22,658.32
492.75	0.00	683,111.143	67,313.20	0.00	0.00	22,770.37
492.80	0.00	686,480.851	67,475.17	0.00	0.00	22,882.70
492.85	0.00	689,858.663	67,637.34	0.00	0.00	22,995.29
492.90	0.00	693,244.588	67,799.70	0.00	0.00	23,108.15
492.95	0.00	696,638.636	67,962.25	0.00	0.00	23,221.29
493.00	0.00	700,040.817	68,125.00	0.00	0.00	23,334.69

Subsection: Elevation-Volume-Flow Table (Pond)  
 Label: Basin

Return Event: 25 years  
 Storm Event:

Elevation (ft)	Outflow (ft <sup>3</sup> /s)	Storage (ft <sup>3</sup> )	Area (ft <sup>2</sup> )	Infiltration (ft <sup>3</sup> /s)	Flow (Total) (ft <sup>3</sup> /s)	2S/t + O (ft <sup>3</sup> /s)
493.05	0.00	703,451.133	68,287.71	0.00	0.00	23,448.37
493.10	0.00	706,869.590	68,450.61	0.00	0.00	23,562.32
493.15	0.00	710,296.197	68,613.70	0.00	0.00	23,676.54
493.20	0.00	713,730.964	68,776.99	0.00	0.00	23,791.03
493.25	0.00	717,173.900	68,940.47	0.00	0.00	23,905.80
493.30	0.00	720,625.014	69,104.15	0.00	0.00	24,020.83
493.35	0.00	724,084.318	69,268.02	0.00	0.00	24,136.14
493.40	0.00	727,551.819	69,432.08	0.00	0.00	24,251.73
493.45	0.00	731,027.529	69,596.34	0.00	0.00	24,367.58
493.50	0.00	734,511.457	69,760.80	0.00	0.00	24,483.72
493.55	0.00	738,003.612	69,925.44	0.00	0.00	24,600.12
493.60	0.00	741,504.005	70,090.28	0.00	0.00	24,716.80
493.65	0.00	745,012.644	70,255.32	0.00	0.00	24,833.75
493.70	0.00	748,529.540	70,420.55	0.00	0.00	24,950.98
493.75	0.00	752,054.702	70,585.97	0.00	0.00	25,068.49
493.80	0.00	755,588.140	70,751.59	0.00	0.00	25,186.27
493.85	0.00	759,129.864	70,917.40	0.00	0.00	25,304.33
493.90	0.00	762,679.884	71,083.41	0.00	0.00	25,422.66
493.95	0.00	766,238.208	71,249.61	0.00	0.00	25,541.27
494.00	0.00	769,804.848	71,416.00	0.00	0.00	25,660.16
494.05	0.00	773,379.792	71,581.82	0.00	0.00	25,779.33
494.10	0.00	776,963.033	71,747.84	0.00	0.00	25,898.77
494.15	0.00	780,554.579	71,914.05	0.00	0.00	26,018.49
494.20	0.00	784,154.441	72,080.45	0.00	0.00	26,138.48
494.25	0.00	787,762.627	72,247.04	0.00	0.00	26,258.75
494.30	0.00	791,379.148	72,413.82	0.00	0.00	26,379.30
494.35	0.00	795,004.013	72,580.80	0.00	0.00	26,500.13
494.40	0.00	798,637.231	72,747.97	0.00	0.00	26,621.24
494.45	0.00	802,278.813	72,915.33	0.00	0.00	26,742.63
494.50	0.00	805,928.768	73,082.89	0.00	0.00	26,864.29
494.55	0.00	809,587.105	73,250.63	0.00	0.00	26,986.24
494.60	0.00	813,253.834	73,418.57	0.00	0.00	27,108.46
494.65	0.00	816,928.965	73,586.70	0.00	0.00	27,230.97
494.70	0.00	820,612.507	73,755.02	0.00	0.00	27,353.75
494.75	0.00	824,304.471	73,923.54	0.00	0.00	27,476.82
494.80	0.00	828,004.864	74,092.25	0.00	0.00	27,600.16
494.85	0.00	831,713.698	74,261.15	0.00	0.00	27,723.79
494.90	0.00	835,430.982	74,430.24	0.00	0.00	27,847.70
494.95	0.00	839,156.726	74,599.52	0.00	0.00	27,971.89
495.00	0.00	842,890.938	74,769.00	0.00	0.00	28,096.36
495.05	0.00	846,633.635	74,938.92	0.00	0.00	28,221.12
495.10	0.00	850,384.833	75,109.03	0.00	0.00	28,346.16
495.15	0.00	854,144.541	75,279.33	0.00	0.00	28,471.48
495.20	0.00	857,912.769	75,449.83	0.00	0.00	28,597.09
495.25	0.00	861,689.527	75,620.52	0.00	0.00	28,722.98

Subsection: Elevation-Volume-Flow Table (Pond)  
 Label: Basin

Return Event: 25 years  
 Storm Event:

Elevation (ft)	Outflow (ft <sup>3</sup> /s)	Storage (ft <sup>3</sup> )	Area (ft <sup>2</sup> )	Infiltration (ft <sup>3</sup> /s)	Flow (Total) (ft <sup>3</sup> /s)	2S/t + O (ft <sup>3</sup> /s)
495.30	0.00	865,474.824	75,791.40	0.00	0.00	28,849.16
495.35	0.00	869,268.670	75,962.48	0.00	0.00	28,975.62
495.40	0.00	873,071.075	76,133.74	0.00	0.00	29,102.37
495.45	0.00	876,882.048	76,305.20	0.00	0.00	29,229.40
495.50	0.00	880,701.599	76,476.86	0.00	0.00	29,356.72
495.55	0.00	884,529.737	76,648.70	0.00	0.00	29,484.32
495.60	0.00	888,366.472	76,820.74	0.00	0.00	29,612.22
495.65	0.00	892,211.814	76,992.98	0.00	0.00	29,740.39
495.70	0.00	896,065.773	77,165.40	0.00	0.00	29,868.86
495.75	0.00	899,928.358	77,338.02	0.00	0.00	29,997.61
495.80	0.00	903,799.578	77,510.83	0.00	0.00	30,126.65
495.85	13.41	907,679.444	77,683.83	0.00	13.41	30,269.39
495.90	19.02	911,567.964	77,857.03	0.00	19.02	30,404.62
495.95	23.34	915,465.150	78,030.42	0.00	23.34	30,538.85
496.00	26.86	919,371.009	78,204.00	0.00	26.86	30,672.56
496.05	30.07	923,285.496	78,375.52	0.00	30.07	30,806.25
496.10	32.96	927,208.564	78,547.22	0.00	32.96	30,939.91
496.15	35.62	931,140.221	78,719.11	0.00	35.62	31,073.63
496.20	38.12	935,080.478	78,891.19	0.00	38.12	31,207.47
496.25	40.39	939,029.343	79,063.45	0.00	40.39	31,341.37
496.30	42.58	942,986.827	79,235.91	0.00	42.58	31,475.48
496.35	44.62	946,952.937	79,408.55	0.00	44.62	31,609.71
496.40	46.66	950,927.685	79,581.38	0.00	46.66	31,744.25
496.45	48.54	954,911.079	79,754.40	0.00	48.54	31,878.91
496.50	50.35	958,903.128	79,927.61	0.00	50.35	32,013.79
496.55	52.17	962,903.842	80,101.00	0.00	52.17	32,148.97
496.60	53.82	966,913.231	80,274.58	0.00	53.82	32,284.27
496.65	55.48	970,931.304	80,448.35	0.00	55.48	32,419.86
496.70	57.11	974,958.069	80,622.31	0.00	57.11	32,555.72
496.75	58.66	978,993.538	80,796.45	0.00	58.66	32,691.78
496.80	60.21	983,037.718	80,970.79	0.00	60.21	32,828.14
496.85	61.69	987,090.620	81,145.31	0.00	61.69	32,964.71
496.90	63.12	991,152.252	81,320.02	0.00	63.12	33,101.53
496.95	64.57	995,222.625	81,494.92	0.00	64.57	33,238.66
497.00	65.97	999,301.747	81,670.00	0.00	65.97	33,376.03

Subsection: Elevation-Volume-Flow Table (Pond)  
 Label: Basin

Return Event: 100 years  
 Storm Event:

Infiltration	
Infiltration Method (Computed)	No Infiltration

---

Initial Conditions	
Elevation (Water Surface, Initial)	494.00 ft
Volume (Initial)	769,805.000 ft <sup>3</sup>
Flow (Initial Outlet)	0.00 ft <sup>3</sup> /s
Flow (Initial Infiltration)	0.00 ft <sup>3</sup> /s
Flow (Initial, Total)	0.00 ft <sup>3</sup> /s
Time Increment	1 min

Elevation (ft)	Outflow (ft <sup>3</sup> /s)	Storage (ft <sup>3</sup> )	Area (ft <sup>2</sup> )	Infiltration (ft <sup>3</sup> /s)	Flow (Total) (ft <sup>3</sup> /s)	2S/t + O (ft <sup>3</sup> /s)
478.00	0.00	0.000	28,132.00	0.00	0.00	0.00
478.05	0.00	1,409.216	28,236.65	0.00	0.00	46.97
478.10	0.00	2,823.669	28,341.50	0.00	0.00	94.12
478.15	0.00	4,243.369	28,446.55	0.00	0.00	141.45
478.20	0.00	5,668.326	28,551.78	0.00	0.00	188.94
478.25	0.00	7,098.551	28,657.21	0.00	0.00	236.62
478.30	0.00	8,534.051	28,762.84	0.00	0.00	284.47
478.35	0.00	9,974.838	28,868.66	0.00	0.00	332.49
478.40	0.00	11,420.920	28,974.67	0.00	0.00	380.70
478.45	0.00	12,872.308	29,080.88	0.00	0.00	429.08
478.50	0.00	14,329.012	29,187.28	0.00	0.00	477.63
478.55	0.00	15,791.040	29,293.88	0.00	0.00	526.37
478.60	0.00	17,258.403	29,400.67	0.00	0.00	575.28
478.65	0.00	18,731.111	29,507.66	0.00	0.00	624.37
478.70	0.00	20,209.172	29,614.84	0.00	0.00	673.64
478.75	0.00	21,692.598	29,722.21	0.00	0.00	723.09
478.80	0.00	23,181.397	29,829.78	0.00	0.00	772.71
478.85	0.00	24,675.579	29,937.55	0.00	0.00	822.52
478.90	0.00	26,175.155	30,045.50	0.00	0.00	872.51
478.95	0.00	27,680.133	30,153.65	0.00	0.00	922.67
479.00	0.00	29,190.523	30,262.00	0.00	0.00	973.02
479.05	0.00	30,706.331	30,370.36	0.00	0.00	1,023.54
479.10	0.00	32,227.563	30,478.91	0.00	0.00	1,074.25
479.15	0.00	33,754.226	30,587.66	0.00	0.00	1,125.14
479.20	0.00	35,286.332	30,696.60	0.00	0.00	1,176.21
479.25	0.00	36,823.890	30,805.74	0.00	0.00	1,227.46
479.30	0.00	38,366.909	30,915.07	0.00	0.00	1,278.90
479.35	0.00	39,915.400	31,024.59	0.00	0.00	1,330.51
479.40	0.00	41,469.371	31,134.30	0.00	0.00	1,382.31
479.45	0.00	43,028.833	31,244.21	0.00	0.00	1,434.29
479.50	0.00	44,593.796	31,354.32	0.00	0.00	1,486.46

Subsection: Elevation-Volume-Flow Table (Pond)  
 Label: Basin

Return Event: 100 years  
 Storm Event:

Elevation (ft)	Outflow (ft <sup>3</sup> /s)	Storage (ft <sup>3</sup> )	Area (ft <sup>2</sup> )	Infiltration (ft <sup>3</sup> /s)	Flow (Total) (ft <sup>3</sup> /s)	2S/t + O (ft <sup>3</sup> /s)
479.55	0.00	46,164.268	31,464.61	0.00	0.00	1,538.81
479.60	0.00	47,740.260	31,575.10	0.00	0.00	1,591.34
479.65	0.00	49,321.782	31,685.79	0.00	0.00	1,644.06
479.70	0.00	50,908.842	31,796.67	0.00	0.00	1,696.96
479.75	0.00	52,501.452	31,907.74	0.00	0.00	1,750.05
479.80	0.00	54,099.619	32,019.00	0.00	0.00	1,803.32
479.85	0.00	55,703.355	32,130.46	0.00	0.00	1,856.78
479.90	0.00	57,312.669	32,242.11	0.00	0.00	1,910.42
479.95	0.00	58,927.570	32,353.96	0.00	0.00	1,964.25
480.00	0.00	60,548.068	32,466.00	0.00	0.00	2,018.27
480.05	0.00	62,174.176	32,578.36	0.00	0.00	2,072.47
480.10	0.00	63,805.907	32,690.91	0.00	0.00	2,126.86
480.15	0.00	65,443.270	32,803.65	0.00	0.00	2,181.44
480.20	0.00	67,086.275	32,916.59	0.00	0.00	2,236.21
480.25	0.00	68,734.932	33,029.72	0.00	0.00	2,291.16
480.30	0.00	70,389.251	33,143.05	0.00	0.00	2,346.31
480.35	0.00	72,049.240	33,256.57	0.00	0.00	2,401.64
480.40	0.00	73,714.911	33,370.28	0.00	0.00	2,457.16
480.45	0.00	75,386.272	33,484.19	0.00	0.00	2,512.88
480.50	0.00	77,063.333	33,598.30	0.00	0.00	2,568.78
480.55	0.00	78,746.105	33,712.59	0.00	0.00	2,624.87
480.60	0.00	80,434.596	33,827.08	0.00	0.00	2,681.15
480.65	0.00	82,128.816	33,941.77	0.00	0.00	2,737.63
480.70	0.00	83,828.776	34,056.65	0.00	0.00	2,794.29
480.75	0.00	85,534.484	34,171.72	0.00	0.00	2,851.15
480.80	0.00	87,245.951	34,286.99	0.00	0.00	2,908.20
480.85	0.00	88,963.187	34,402.45	0.00	0.00	2,965.44
480.90	0.00	90,686.200	34,518.11	0.00	0.00	3,022.87
480.95	0.00	92,415.001	34,633.96	0.00	0.00	3,080.50
481.00	0.00	94,149.599	34,750.00	0.00	0.00	3,138.32
481.05	0.00	95,889.987	34,865.58	0.00	0.00	3,196.33
481.10	0.00	97,636.160	34,981.35	0.00	0.00	3,254.54
481.15	0.00	99,388.125	35,097.31	0.00	0.00	3,312.94
481.20	0.00	101,145.893	35,213.46	0.00	0.00	3,371.53
481.25	0.00	102,909.474	35,329.80	0.00	0.00	3,430.32
481.30	0.00	104,678.877	35,446.34	0.00	0.00	3,489.30
481.35	0.00	106,454.112	35,563.07	0.00	0.00	3,548.47
481.40	0.00	108,235.187	35,679.99	0.00	0.00	3,607.84
481.45	0.00	110,022.114	35,797.10	0.00	0.00	3,667.40
481.50	0.00	111,814.901	35,914.41	0.00	0.00	3,727.16
481.55	0.00	113,613.557	36,031.90	0.00	0.00	3,787.12
481.60	0.00	115,418.094	36,149.59	0.00	0.00	3,847.27
481.65	0.00	117,228.520	36,267.47	0.00	0.00	3,907.62
481.70	0.00	119,044.844	36,385.54	0.00	0.00	3,968.16
481.75	0.00	120,867.077	36,503.80	0.00	0.00	4,028.90

Subsection: Elevation-Volume-Flow Table (Pond)  
 Label: Basin

Return Event: 100 years  
 Storm Event:

Elevation (ft)	Outflow (ft <sup>3</sup> /s)	Storage (ft <sup>3</sup> )	Area (ft <sup>2</sup> )	Infiltration (ft <sup>3</sup> /s)	Flow (Total) (ft <sup>3</sup> /s)	2S/t + O (ft <sup>3</sup> /s)
481.80	0.00	122,695.228	36,622.26	0.00	0.00	4,089.84
481.85	0.00	124,529.306	36,740.91	0.00	0.00	4,150.98
481.90	0.00	126,369.322	36,859.75	0.00	0.00	4,212.31
481.95	0.00	128,215.284	36,978.78	0.00	0.00	4,273.84
482.00	0.00	130,067.203	37,098.00	0.00	0.00	4,335.57
482.05	0.00	131,925.093	37,217.67	0.00	0.00	4,397.50
482.10	0.00	133,788.973	37,337.53	0.00	0.00	4,459.63
482.15	0.00	135,658.850	37,457.59	0.00	0.00	4,521.96
482.20	0.00	137,534.734	37,577.83	0.00	0.00	4,584.49
482.25	0.00	139,416.636	37,698.27	0.00	0.00	4,647.22
482.30	0.00	141,304.565	37,818.91	0.00	0.00	4,710.15
482.35	0.00	143,198.530	37,939.73	0.00	0.00	4,773.28
482.40	0.00	145,098.541	38,060.75	0.00	0.00	4,836.62
482.45	0.00	147,004.608	38,181.96	0.00	0.00	4,900.15
482.50	0.00	148,916.741	38,303.36	0.00	0.00	4,963.89
482.55	0.00	150,834.948	38,424.96	0.00	0.00	5,027.83
482.60	0.00	152,759.240	38,546.75	0.00	0.00	5,091.97
482.65	0.00	154,689.626	38,668.73	0.00	0.00	5,156.32
482.70	0.00	156,626.117	38,790.91	0.00	0.00	5,220.87
482.75	0.00	158,568.720	38,913.27	0.00	0.00	5,285.62
482.80	0.00	160,517.447	39,035.83	0.00	0.00	5,350.58
482.85	0.00	162,472.307	39,158.59	0.00	0.00	5,415.74
482.90	0.00	164,433.309	39,281.53	0.00	0.00	5,481.11
482.95	0.00	166,400.463	39,404.67	0.00	0.00	5,546.68
483.00	0.00	168,373.779	39,528.00	0.00	0.00	5,612.46
483.05	0.00	170,353.266	39,651.52	0.00	0.00	5,678.44
483.10	0.00	172,338.934	39,775.23	0.00	0.00	5,744.63
483.15	0.00	174,330.793	39,899.14	0.00	0.00	5,811.03
483.20	0.00	176,328.851	40,023.23	0.00	0.00	5,877.63
483.25	0.00	178,333.119	40,147.52	0.00	0.00	5,944.44
483.30	0.00	180,343.607	40,272.01	0.00	0.00	6,011.45
483.35	0.00	182,360.323	40,396.68	0.00	0.00	6,078.68
483.40	0.00	184,383.278	40,521.55	0.00	0.00	6,146.11
483.45	0.00	186,412.481	40,646.61	0.00	0.00	6,213.75
483.50	0.00	188,447.943	40,771.87	0.00	0.00	6,281.60
483.55	0.00	190,489.671	40,897.31	0.00	0.00	6,349.66
483.60	0.00	192,537.677	41,022.95	0.00	0.00	6,417.92
483.65	0.00	194,591.970	41,148.78	0.00	0.00	6,486.40
483.70	0.00	196,652.558	41,274.81	0.00	0.00	6,555.09
483.75	0.00	198,719.453	41,401.02	0.00	0.00	6,623.98
483.80	0.00	200,792.664	41,527.43	0.00	0.00	6,693.09
483.85	0.00	202,872.200	41,654.04	0.00	0.00	6,762.41
483.90	0.00	204,958.071	41,780.83	0.00	0.00	6,831.94
483.95	0.00	207,050.286	41,907.82	0.00	0.00	6,901.68
484.00	0.00	209,148.856	42,035.00	0.00	0.00	6,971.63



Subsection: Elevation-Volume-Flow Table (Pond)  
 Label: Basin

Return Event: 100 years  
 Storm Event:

Elevation (ft)	Outflow (ft <sup>3</sup> /s)	Storage (ft <sup>3</sup> )	Area (ft <sup>2</sup> )	Infiltration (ft <sup>3</sup> /s)	Flow (Total) (ft <sup>3</sup> /s)	2S/t + O (ft <sup>3</sup> /s)
484.05	0.00	211,253.790	42,162.37	0.00	0.00	7,041.79
484.10	0.00	213,365.096	42,289.93	0.00	0.00	7,112.17
484.15	0.00	215,482.786	42,417.69	0.00	0.00	7,182.76
484.20	0.00	217,606.868	42,545.63	0.00	0.00	7,253.56
484.25	0.00	219,737.353	42,673.77	0.00	0.00	7,324.58
484.30	0.00	221,874.249	42,802.11	0.00	0.00	7,395.81
484.35	0.00	224,017.567	42,930.63	0.00	0.00	7,467.25
484.40	0.00	226,167.315	43,059.35	0.00	0.00	7,538.91
484.45	0.00	228,323.505	43,188.26	0.00	0.00	7,610.78
484.50	0.00	230,486.145	43,317.37	0.00	0.00	7,682.87
484.55	0.00	232,655.245	43,446.66	0.00	0.00	7,755.17
484.60	0.00	234,830.814	43,576.15	0.00	0.00	7,827.69
484.65	0.00	237,012.863	43,705.83	0.00	0.00	7,900.43
484.70	0.00	239,201.401	43,835.71	0.00	0.00	7,973.38
484.75	0.00	241,396.437	43,965.77	0.00	0.00	8,046.55
484.80	0.00	243,597.981	44,096.03	0.00	0.00	8,119.93
484.85	0.00	245,806.044	44,226.49	0.00	0.00	8,193.53
484.90	0.00	248,020.633	44,357.13	0.00	0.00	8,267.35
484.95	0.00	250,241.760	44,487.97	0.00	0.00	8,341.39
485.00	0.00	252,469.434	44,619.00	0.00	0.00	8,415.65
485.05	0.00	254,703.661	44,750.12	0.00	0.00	8,490.12
485.10	0.00	256,944.449	44,881.44	0.00	0.00	8,564.81
485.15	0.00	259,191.808	45,012.94	0.00	0.00	8,639.73
485.20	0.00	261,445.747	45,144.64	0.00	0.00	8,714.86
485.25	0.00	263,706.275	45,276.54	0.00	0.00	8,790.21
485.30	0.00	265,973.403	45,408.62	0.00	0.00	8,865.78
485.35	0.00	268,247.140	45,540.90	0.00	0.00	8,941.57
485.40	0.00	270,527.496	45,673.37	0.00	0.00	9,017.58
485.45	0.00	272,814.480	45,806.03	0.00	0.00	9,093.82
485.50	0.00	275,108.102	45,938.88	0.00	0.00	9,170.27
485.55	0.00	277,408.372	46,071.93	0.00	0.00	9,246.95
485.60	0.00	279,715.298	46,205.17	0.00	0.00	9,323.84
485.65	0.00	282,028.891	46,338.60	0.00	0.00	9,400.96
485.70	0.00	284,349.161	46,472.22	0.00	0.00	9,478.31
485.75	0.00	286,676.117	46,606.04	0.00	0.00	9,555.87
485.80	0.00	289,009.768	46,740.04	0.00	0.00	9,633.66
485.85	0.00	291,350.124	46,874.24	0.00	0.00	9,711.67
485.90	0.00	293,697.195	47,008.64	0.00	0.00	9,789.91
485.95	0.00	296,050.991	47,143.22	0.00	0.00	9,868.37
486.00	0.00	298,411.521	47,278.00	0.00	0.00	9,947.05
486.05	0.00	300,778.799	47,413.17	0.00	0.00	10,025.96
486.10	0.00	303,152.841	47,548.53	0.00	0.00	10,105.09
486.15	0.00	305,533.655	47,684.08	0.00	0.00	10,184.46
486.20	0.00	307,921.252	47,819.83	0.00	0.00	10,264.04
486.25	0.00	310,315.641	47,955.76	0.00	0.00	10,343.85

Subsection: Elevation-Volume-Flow Table (Pond)  
 Label: Basin

Return Event: 100 years  
 Storm Event:

Elevation (ft)	Outflow (ft <sup>3</sup> /s)	Storage (ft <sup>3</sup> )	Area (ft <sup>2</sup> )	Infiltration (ft <sup>3</sup> /s)	Flow (Total) (ft <sup>3</sup> /s)	2S/t + O (ft <sup>3</sup> /s)
486.30	0.00	312,716.832	48,091.90	0.00	0.00	10,423.89
486.35	0.00	315,124.834	48,228.22	0.00	0.00	10,504.16
486.40	0.00	317,539.657	48,364.74	0.00	0.00	10,584.66
486.45	0.00	319,961.311	48,501.45	0.00	0.00	10,665.38
486.50	0.00	322,389.805	48,638.35	0.00	0.00	10,746.33
486.55	0.00	324,825.149	48,775.45	0.00	0.00	10,827.50
486.60	0.00	327,267.353	48,912.74	0.00	0.00	10,908.91
486.65	0.00	329,716.426	49,050.22	0.00	0.00	10,990.55
486.70	0.00	332,172.378	49,187.90	0.00	0.00	11,072.41
486.75	0.00	334,635.219	49,325.76	0.00	0.00	11,154.51
486.80	0.00	337,104.958	49,463.83	0.00	0.00	11,236.83
486.85	0.00	339,581.605	49,602.08	0.00	0.00	11,319.39
486.90	0.00	342,065.169	49,740.53	0.00	0.00	11,402.17
486.95	0.00	344,555.661	49,879.17	0.00	0.00	11,485.19
487.00	0.00	347,053.089	50,018.00	0.00	0.00	11,568.44
487.05	0.00	349,557.465	50,157.07	0.00	0.00	11,651.92
487.10	0.00	352,068.799	50,296.32	0.00	0.00	11,735.63
487.15	0.00	354,587.101	50,435.78	0.00	0.00	11,819.57
487.20	0.00	357,112.380	50,575.42	0.00	0.00	11,903.75
487.25	0.00	359,644.646	50,715.26	0.00	0.00	11,988.15
487.30	0.00	362,183.909	50,855.29	0.00	0.00	12,072.80
487.35	0.00	364,730.179	50,995.52	0.00	0.00	12,157.67
487.40	0.00	367,283.464	51,135.93	0.00	0.00	12,242.78
487.45	0.00	369,843.775	51,276.54	0.00	0.00	12,328.13
487.50	0.00	372,411.122	51,417.35	0.00	0.00	12,413.70
487.55	0.00	374,985.513	51,558.34	0.00	0.00	12,499.52
487.60	0.00	377,566.959	51,699.53	0.00	0.00	12,585.57
487.65	0.00	380,155.470	51,840.92	0.00	0.00	12,671.85
487.70	0.00	382,751.054	51,982.49	0.00	0.00	12,758.37
487.75	0.00	385,353.722	52,124.26	0.00	0.00	12,845.12
487.80	0.00	387,963.483	52,266.22	0.00	0.00	12,932.12
487.85	0.00	390,580.348	52,408.38	0.00	0.00	13,019.34
487.90	0.00	393,204.324	52,550.72	0.00	0.00	13,106.81
487.95	0.00	395,835.423	52,693.27	0.00	0.00	13,194.51
488.00	0.00	398,473.654	52,836.00	0.00	0.00	13,282.46
488.05	0.00	401,119.027	52,978.96	0.00	0.00	13,370.63
488.10	0.00	403,771.554	53,122.12	0.00	0.00	13,459.05
488.15	0.00	406,431.243	53,265.47	0.00	0.00	13,547.71
488.20	0.00	409,098.104	53,409.02	0.00	0.00	13,636.60
488.25	0.00	411,772.148	53,552.76	0.00	0.00	13,725.74
488.30	0.00	414,453.383	53,696.69	0.00	0.00	13,815.11
488.35	0.00	417,141.820	53,840.81	0.00	0.00	13,904.73
488.40	0.00	419,837.468	53,985.13	0.00	0.00	13,994.58
488.45	0.00	422,540.336	54,129.64	0.00	0.00	14,084.68
488.50	0.00	425,250.435	54,274.34	0.00	0.00	14,175.01

Subsection: Elevation-Volume-Flow Table (Pond)  
 Label: Basin

Return Event: 100 years  
 Storm Event:

Elevation (ft)	Outflow (ft <sup>3</sup> /s)	Storage (ft <sup>3</sup> )	Area (ft <sup>2</sup> )	Infiltration (ft <sup>3</sup> /s)	Flow (Total) (ft <sup>3</sup> /s)	2S/t + O (ft <sup>3</sup> /s)
488.55	0.00	427,967.774	54,419.24	0.00	0.00	14,265.59
488.60	0.00	430,692.362	54,564.33	0.00	0.00	14,356.41
488.65	0.00	433,424.210	54,709.61	0.00	0.00	14,447.47
488.70	0.00	436,163.326	54,855.09	0.00	0.00	14,538.78
488.75	0.00	438,909.722	55,000.76	0.00	0.00	14,630.32
488.80	0.00	441,663.405	55,146.62	0.00	0.00	14,722.11
488.85	0.00	444,424.387	55,292.67	0.00	0.00	14,814.15
488.90	0.00	447,192.676	55,438.92	0.00	0.00	14,906.42
488.95	0.00	449,968.282	55,585.36	0.00	0.00	14,998.94
489.00	0.00	452,751.215	55,732.00	0.00	0.00	15,091.71
489.05	0.00	455,541.492	55,879.11	0.00	0.00	15,184.72
489.10	0.00	458,339.130	56,026.41	0.00	0.00	15,277.97
489.15	0.00	461,144.137	56,173.91	0.00	0.00	15,371.47
489.20	0.00	463,956.523	56,321.60	0.00	0.00	15,465.22
489.25	0.00	466,776.299	56,469.48	0.00	0.00	15,559.21
489.30	0.00	469,603.474	56,617.56	0.00	0.00	15,653.45
489.35	0.00	472,438.058	56,765.83	0.00	0.00	15,747.94
489.40	0.00	475,280.060	56,914.29	0.00	0.00	15,842.67
489.45	0.00	478,129.491	57,062.95	0.00	0.00	15,937.65
489.50	0.00	480,986.359	57,211.81	0.00	0.00	16,032.88
489.55	0.00	483,850.675	57,360.85	0.00	0.00	16,128.36
489.60	0.00	486,722.447	57,510.09	0.00	0.00	16,224.08
489.65	0.00	489,601.687	57,659.53	0.00	0.00	16,320.06
489.70	0.00	492,488.403	57,809.16	0.00	0.00	16,416.28
489.75	0.00	495,382.606	57,958.98	0.00	0.00	16,512.75
489.80	0.00	498,284.305	58,109.00	0.00	0.00	16,609.48
489.85	0.00	501,193.509	58,259.21	0.00	0.00	16,706.45
489.90	0.00	504,110.228	58,409.61	0.00	0.00	16,803.67
489.95	0.00	507,034.473	58,560.21	0.00	0.00	16,901.15
490.00	0.00	509,966.252	58,711.00	0.00	0.00	16,998.88
490.05	0.00	512,905.578	58,862.06	0.00	0.00	17,096.85
490.10	0.00	515,852.461	59,013.31	0.00	0.00	17,195.08
490.15	0.00	518,806.912	59,164.75	0.00	0.00	17,293.56
490.20	0.00	521,768.940	59,316.39	0.00	0.00	17,392.30
490.25	0.00	524,738.554	59,468.22	0.00	0.00	17,491.29
490.30	0.00	527,715.765	59,620.25	0.00	0.00	17,590.53
490.35	0.00	530,700.582	59,772.47	0.00	0.00	17,690.02
490.40	0.00	533,693.015	59,924.88	0.00	0.00	17,789.77
490.45	0.00	536,693.074	60,077.49	0.00	0.00	17,889.77
490.50	0.00	539,700.768	60,230.30	0.00	0.00	17,990.03
490.55	0.00	542,716.107	60,383.29	0.00	0.00	18,090.54
490.60	0.00	545,739.100	60,536.48	0.00	0.00	18,191.30
490.65	0.00	548,769.758	60,689.87	0.00	0.00	18,292.33
490.70	0.00	551,808.091	60,843.45	0.00	0.00	18,393.60
490.75	0.00	554,854.106	60,997.22	0.00	0.00	18,495.14

Subsection: Elevation-Volume-Flow Table (Pond)  
 Label: Basin

Return Event: 100 years  
 Storm Event:

Elevation (ft)	Outflow (ft <sup>3</sup> /s)	Storage (ft <sup>3</sup> )	Area (ft <sup>2</sup> )	Infiltration (ft <sup>3</sup> /s)	Flow (Total) (ft <sup>3</sup> /s)	2S/t + O (ft <sup>3</sup> /s)
490.80	0.00	557,907.816	61,151.19	0.00	0.00	18,596.93
490.85	0.00	560,969.229	61,305.35	0.00	0.00	18,698.97
490.90	0.00	564,038.354	61,459.71	0.00	0.00	18,801.28
490.95	0.00	567,115.203	61,614.26	0.00	0.00	18,903.84
491.00	0.00	570,199.783	61,769.00	0.00	0.00	19,006.66
491.05	0.00	573,292.109	61,924.05	0.00	0.00	19,109.74
491.10	0.00	576,392.192	62,079.30	0.00	0.00	19,213.07
491.15	0.00	579,500.042	62,234.74	0.00	0.00	19,316.67
491.20	0.00	582,615.669	62,390.38	0.00	0.00	19,420.52
491.25	0.00	585,739.083	62,546.21	0.00	0.00	19,524.64
491.30	0.00	588,870.294	62,702.24	0.00	0.00	19,629.01
491.35	0.00	592,009.310	62,858.46	0.00	0.00	19,733.64
491.40	0.00	595,156.143	63,014.87	0.00	0.00	19,838.54
491.45	0.00	598,310.801	63,171.48	0.00	0.00	19,943.69
491.50	0.00	601,473.294	63,328.28	0.00	0.00	20,049.11
491.55	0.00	604,643.632	63,485.28	0.00	0.00	20,154.79
491.60	0.00	607,821.825	63,642.47	0.00	0.00	20,260.73
491.65	0.00	611,007.882	63,799.86	0.00	0.00	20,366.93
491.70	0.00	614,201.814	63,957.44	0.00	0.00	20,473.39
491.75	0.00	617,403.629	64,115.21	0.00	0.00	20,580.12
491.80	0.00	620,613.338	64,273.18	0.00	0.00	20,687.11
491.85	0.00	623,830.950	64,431.34	0.00	0.00	20,794.37
491.90	0.00	627,056.476	64,589.70	0.00	0.00	20,901.88
491.95	0.00	630,289.924	64,748.25	0.00	0.00	21,009.66
492.00	0.00	633,531.304	64,907.00	0.00	0.00	21,117.71
492.05	0.00	636,780.630	65,066.05	0.00	0.00	21,226.02
492.10	0.00	640,037.913	65,225.30	0.00	0.00	21,334.60
492.15	0.00	643,303.163	65,384.74	0.00	0.00	21,443.44
492.20	0.00	646,576.390	65,544.37	0.00	0.00	21,552.55
492.25	0.00	649,857.603	65,704.20	0.00	0.00	21,661.92
492.30	0.00	653,146.813	65,864.23	0.00	0.00	21,771.56
492.35	0.00	656,444.029	66,024.44	0.00	0.00	21,881.47
492.40	0.00	659,749.261	66,184.86	0.00	0.00	21,991.64
492.45	0.00	663,062.518	66,345.47	0.00	0.00	22,102.08
492.50	0.00	666,383.810	66,506.27	0.00	0.00	22,212.79
492.55	0.00	669,713.148	66,667.27	0.00	0.00	22,323.77
492.60	0.00	673,050.540	66,828.46	0.00	0.00	22,435.02
492.65	0.00	676,395.997	66,989.84	0.00	0.00	22,546.53
492.70	0.00	679,749.528	67,151.43	0.00	0.00	22,658.32
492.75	0.00	683,111.143	67,313.20	0.00	0.00	22,770.37
492.80	0.00	686,480.851	67,475.17	0.00	0.00	22,882.70
492.85	0.00	689,858.663	67,637.34	0.00	0.00	22,995.29
492.90	0.00	693,244.588	67,799.70	0.00	0.00	23,108.15
492.95	0.00	696,638.636	67,962.25	0.00	0.00	23,221.29
493.00	0.00	700,040.817	68,125.00	0.00	0.00	23,334.69

Subsection: Elevation-Volume-Flow Table (Pond)  
 Label: Basin

Return Event: 100 years  
 Storm Event:

Elevation (ft)	Outflow (ft <sup>3</sup> /s)	Storage (ft <sup>3</sup> )	Area (ft <sup>2</sup> )	Infiltration (ft <sup>3</sup> /s)	Flow (Total) (ft <sup>3</sup> /s)	2S/t + O (ft <sup>3</sup> /s)
493.05	0.00	703,451.133	68,287.71	0.00	0.00	23,448.37
493.10	0.00	706,869.590	68,450.61	0.00	0.00	23,562.32
493.15	0.00	710,296.197	68,613.70	0.00	0.00	23,676.54
493.20	0.00	713,730.964	68,776.99	0.00	0.00	23,791.03
493.25	0.00	717,173.900	68,940.47	0.00	0.00	23,905.80
493.30	0.00	720,625.014	69,104.15	0.00	0.00	24,020.83
493.35	0.00	724,084.318	69,268.02	0.00	0.00	24,136.14
493.40	0.00	727,551.819	69,432.08	0.00	0.00	24,251.73
493.45	0.00	731,027.529	69,596.34	0.00	0.00	24,367.58
493.50	0.00	734,511.457	69,760.80	0.00	0.00	24,483.72
493.55	0.00	738,003.612	69,925.44	0.00	0.00	24,600.12
493.60	0.00	741,504.005	70,090.28	0.00	0.00	24,716.80
493.65	0.00	745,012.644	70,255.32	0.00	0.00	24,833.75
493.70	0.00	748,529.540	70,420.55	0.00	0.00	24,950.98
493.75	0.00	752,054.702	70,585.97	0.00	0.00	25,068.49
493.80	0.00	755,588.140	70,751.59	0.00	0.00	25,186.27
493.85	0.00	759,129.864	70,917.40	0.00	0.00	25,304.33
493.90	0.00	762,679.884	71,083.41	0.00	0.00	25,422.66
493.95	0.00	766,238.208	71,249.61	0.00	0.00	25,541.27
494.00	0.00	769,804.848	71,416.00	0.00	0.00	25,660.16
494.05	0.00	773,379.792	71,581.82	0.00	0.00	25,779.33
494.10	0.00	776,963.033	71,747.84	0.00	0.00	25,898.77
494.15	0.00	780,554.579	71,914.05	0.00	0.00	26,018.49
494.20	0.00	784,154.441	72,080.45	0.00	0.00	26,138.48
494.25	0.00	787,762.627	72,247.04	0.00	0.00	26,258.75
494.30	0.00	791,379.148	72,413.82	0.00	0.00	26,379.30
494.35	0.00	795,004.013	72,580.80	0.00	0.00	26,500.13
494.40	0.00	798,637.231	72,747.97	0.00	0.00	26,621.24
494.45	0.00	802,278.813	72,915.33	0.00	0.00	26,742.63
494.50	0.00	805,928.768	73,082.89	0.00	0.00	26,864.29
494.55	0.00	809,587.105	73,250.63	0.00	0.00	26,986.24
494.60	0.00	813,253.834	73,418.57	0.00	0.00	27,108.46
494.65	0.00	816,928.965	73,586.70	0.00	0.00	27,230.97
494.70	0.00	820,612.507	73,755.02	0.00	0.00	27,353.75
494.75	0.00	824,304.471	73,923.54	0.00	0.00	27,476.82
494.80	0.00	828,004.864	74,092.25	0.00	0.00	27,600.16
494.85	0.00	831,713.698	74,261.15	0.00	0.00	27,723.79
494.90	0.00	835,430.982	74,430.24	0.00	0.00	27,847.70
494.95	0.00	839,156.726	74,599.52	0.00	0.00	27,971.89
495.00	0.00	842,890.938	74,769.00	0.00	0.00	28,096.36
495.05	0.00	846,633.635	74,938.92	0.00	0.00	28,221.12
495.10	0.00	850,384.833	75,109.03	0.00	0.00	28,346.16
495.15	0.00	854,144.541	75,279.33	0.00	0.00	28,471.48
495.20	0.00	857,912.769	75,449.83	0.00	0.00	28,597.09
495.25	0.00	861,689.527	75,620.52	0.00	0.00	28,722.98

Subsection: Elevation-Volume-Flow Table (Pond)  
 Label: Basin

Return Event: 100 years  
 Storm Event:

Elevation (ft)	Outflow (ft <sup>3</sup> /s)	Storage (ft <sup>3</sup> )	Area (ft <sup>2</sup> )	Infiltration (ft <sup>3</sup> /s)	Flow (Total) (ft <sup>3</sup> /s)	2S/t + O (ft <sup>3</sup> /s)
495.30	0.00	865,474.824	75,791.40	0.00	0.00	28,849.16
495.35	0.00	869,268.670	75,962.48	0.00	0.00	28,975.62
495.40	0.00	873,071.075	76,133.74	0.00	0.00	29,102.37
495.45	0.00	876,882.048	76,305.20	0.00	0.00	29,229.40
495.50	0.00	880,701.599	76,476.86	0.00	0.00	29,356.72
495.55	0.00	884,529.737	76,648.70	0.00	0.00	29,484.32
495.60	0.00	888,366.472	76,820.74	0.00	0.00	29,612.22
495.65	0.00	892,211.814	76,992.98	0.00	0.00	29,740.39
495.70	0.00	896,065.773	77,165.40	0.00	0.00	29,868.86
495.75	0.00	899,928.358	77,338.02	0.00	0.00	29,997.61
495.80	0.00	903,799.578	77,510.83	0.00	0.00	30,126.65
495.85	13.41	907,679.444	77,683.83	0.00	13.41	30,269.39
495.90	19.02	911,567.964	77,857.03	0.00	19.02	30,404.62
495.95	23.34	915,465.150	78,030.42	0.00	23.34	30,538.85
496.00	26.86	919,371.009	78,204.00	0.00	26.86	30,672.56
496.05	30.07	923,285.496	78,375.52	0.00	30.07	30,806.25
496.10	32.96	927,208.564	78,547.22	0.00	32.96	30,939.91
496.15	35.62	931,140.221	78,719.11	0.00	35.62	31,073.63
496.20	38.12	935,080.478	78,891.19	0.00	38.12	31,207.47
496.25	40.39	939,029.343	79,063.45	0.00	40.39	31,341.37
496.30	42.58	942,986.827	79,235.91	0.00	42.58	31,475.48
496.35	44.62	946,952.937	79,408.55	0.00	44.62	31,609.71
496.40	46.66	950,927.685	79,581.38	0.00	46.66	31,744.25
496.45	48.54	954,911.079	79,754.40	0.00	48.54	31,878.91
496.50	50.35	958,903.128	79,927.61	0.00	50.35	32,013.79
496.55	52.17	962,903.842	80,101.00	0.00	52.17	32,148.97
496.60	53.82	966,913.231	80,274.58	0.00	53.82	32,284.27
496.65	55.48	970,931.304	80,448.35	0.00	55.48	32,419.86
496.70	57.11	974,958.069	80,622.31	0.00	57.11	32,555.72
496.75	58.66	978,993.538	80,796.45	0.00	58.66	32,691.78
496.80	60.21	983,037.718	80,970.79	0.00	60.21	32,828.14
496.85	61.69	987,090.620	81,145.31	0.00	61.69	32,964.71
496.90	63.12	991,152.252	81,320.02	0.00	63.12	33,101.53
496.95	64.57	995,222.625	81,494.92	0.00	64.57	33,238.66
497.00	65.97	999,301.747	81,670.00	0.00	65.97	33,376.03

Subsection: Level Pool Pond Routing Summary  
 Label: Basin (IN)

Return Event: 2 years  
 Storm Event:

---

**Infiltration**

---

Infiltration Method (Computed)	No Infiltration
-----------------------------------	-----------------

---

**Initial Conditions**

---

Elevation (Water Surface, Initial)	488.50 ft
Volume (Initial)	425,250.000 ft <sup>3</sup>
Flow (Initial Outlet)	0.00 ft <sup>3</sup> /s
Flow (Initial Infiltration)	0.00 ft <sup>3</sup> /s
Flow (Initial, Total)	0.00 ft <sup>3</sup> /s
Time Increment	1 min

---



---

**Inflow/Outflow Hydrograph Summary**

---

Flow (Peak In)	32.15 ft <sup>3</sup> /s	Time to Peak (Flow, In)	5 min
Flow (Peak Outlet)	0.00 ft <sup>3</sup> /s	Time to Peak (Flow, Outlet)	0 min

---

Elevation (Water Surface, Peak)	489.20 ft
Volume (Peak)	463,830.277 ft <sup>3</sup>

---

**Mass Balance (ft<sup>3</sup>)**

---

Volume (Initial)	425,250.000 ft <sup>3</sup>
Volume (Total Inflow)	38,580.000 ft <sup>3</sup>
Volume (Total Infiltration)	0.000 ft <sup>3</sup>
Volume (Total Outlet Outflow)	0.000 ft <sup>3</sup>
Volume (Retained)	463,830.000 ft <sup>3</sup>
Volume (Unrouted)	0.000 ft <sup>3</sup>
Error (Mass Balance)	0.0 %

---

Subsection: Level Pool Pond Routing Summary  
 Label: Basin (IN)

Return Event: 15 years  
 Storm Event:

---

**Infiltration**

---

Infiltration Method (Computed)	No Infiltration
-----------------------------------	-----------------

---

**Initial Conditions**

---

Elevation (Water Surface, Initial)	488.50 ft
Volume (Initial)	425,250.000 ft <sup>3</sup>
Flow (Initial Outlet)	0.00 ft <sup>3</sup> /s
Flow (Initial Infiltration)	0.00 ft <sup>3</sup> /s
Flow (Initial, Total)	0.00 ft <sup>3</sup> /s
Time Increment	1 min

---



---

**Inflow/Outflow Hydrograph Summary**

---

Flow (Peak In)	51.88 ft <sup>3</sup> /s	Time to Peak (Flow, In)	5 min
Flow (Peak Outlet)	0.00 ft <sup>3</sup> /s	Time to Peak (Flow, Outlet)	0 min

---

Elevation (Water Surface, Peak)	489.61 ft
Volume (Peak)	487,505.695 ft <sup>3</sup>

---

**Mass Balance (ft<sup>3</sup>)**

---

Volume (Initial)	425,250.000 ft <sup>3</sup>
Volume (Total Inflow)	62,256.000 ft <sup>3</sup>
Volume (Total Infiltration)	0.000 ft <sup>3</sup>
Volume (Total Outlet Outflow)	0.000 ft <sup>3</sup>
Volume (Retained)	487,506.000 ft <sup>3</sup>
Volume (Unrouted)	-1.000 ft <sup>3</sup>
Error (Mass Balance)	0.0 %

---



Subsection: Level Pool Pond Routing Summary  
 Label: Basin (IN)

Return Event: 25 years  
 Storm Event:

---

**Infiltration**

---

Infiltration Method (Computed)	No Infiltration
-----------------------------------	-----------------

---

**Initial Conditions**

---

Elevation (Water Surface, Initial)	488.50 ft
Volume (Initial)	425,250.000 ft <sup>3</sup>
Flow (Initial Outlet)	0.00 ft <sup>3</sup> /s
Flow (Initial Infiltration)	0.00 ft <sup>3</sup> /s
Flow (Initial, Total)	0.00 ft <sup>3</sup> /s
Time Increment	1 min

---



---

**Inflow/Outflow Hydrograph Summary**

---

Flow (Peak In)	64.02 ft <sup>3</sup> /s	Time to Peak (Flow, In)	5 min
Flow (Peak Outlet)	0.00 ft <sup>3</sup> /s	Time to Peak (Flow, Outlet)	0 min

---

Elevation (Water Surface, Peak)	489.87 ft
Volume (Peak)	502,073.642 ft <sup>3</sup>

---

**Mass Balance (ft<sup>3</sup>)**

---

Volume (Initial)	425,250.000 ft <sup>3</sup>
Volume (Total Inflow)	76,824.000 ft <sup>3</sup>
Volume (Total Infiltration)	0.000 ft <sup>3</sup>
Volume (Total Outlet Outflow)	0.000 ft <sup>3</sup>
Volume (Retained)	502,074.000 ft <sup>3</sup>
Volume (Unrouted)	-1.000 ft <sup>3</sup>
Error (Mass Balance)	0.0 %

---

Subsection: Level Pool Pond Routing Summary  
 Label: Basin (IN)

Return Event: 100 years  
 Storm Event:

---

**Infiltration**

---

Infiltration Method (Computed)	No Infiltration
-----------------------------------	-----------------

---

**Initial Conditions**

---

Elevation (Water Surface, Initial)	488.50 ft
Volume (Initial)	425,250.000 ft <sup>3</sup>
Flow (Initial Outlet)	0.00 ft <sup>3</sup> /s
Flow (Initial Infiltration)	0.00 ft <sup>3</sup> /s
Flow (Initial, Total)	0.00 ft <sup>3</sup> /s
Time Increment	1 min

---



---

**Inflow/Outflow Hydrograph Summary**

---

Flow (Peak In)	81.91 ft <sup>3</sup> /s	Time to Peak (Flow, In)	5 min
Flow (Peak Outlet)	0.00 ft <sup>3</sup> /s	Time to Peak (Flow, Outlet)	0 min

---

Elevation (Water Surface, Peak)	490.23 ft
Volume (Peak)	523,541.522 ft <sup>3</sup>

---

**Mass Balance (ft<sup>3</sup>)**

---

Volume (Initial)	425,250.000 ft <sup>3</sup>
Volume (Total Inflow)	98,292.000 ft <sup>3</sup>
Volume (Total Infiltration)	0.000 ft <sup>3</sup>
Volume (Total Outlet Outflow)	0.000 ft <sup>3</sup>
Volume (Retained)	523,542.000 ft <sup>3</sup>
Volume (Unrouted)	-1.000 ft <sup>3</sup>
Error (Mass Balance)	0.0 %

---

Subsection: Level Pool Pond Routing Summary  
 Label: Basin (IN)

Return Event: 100 years  
 Storm Event:

---

**Infiltration**

---

Infiltration Method (Computed)	No Infiltration
-----------------------------------	-----------------

---

**Initial Conditions**

---

Elevation (Water Surface, Initial)	494.00 ft
Volume (Initial)	769,805.000 ft <sup>3</sup>
Flow (Initial Outlet)	0.00 ft <sup>3</sup> /s
Flow (Initial Infiltration)	0.00 ft <sup>3</sup> /s
Flow (Initial, Total)	0.00 ft <sup>3</sup> /s
Time Increment	1 min

---



---

**Inflow/Outflow Hydrograph Summary**

---

Flow (Peak In)	81.91 ft <sup>3</sup> /s	Time to Peak (Flow, In)	5 min
Flow (Peak Outlet)	0.00 ft <sup>3</sup> /s	Time to Peak (Flow, Outlet)	0 min

---

Elevation (Water Surface, Peak)	495.33 ft
Volume (Peak)	868,095.935 ft <sup>3</sup>

---

**Mass Balance (ft<sup>3</sup>)**

---

Volume (Initial)	769,805.000 ft <sup>3</sup>
Volume (Total Inflow)	98,292.000 ft <sup>3</sup>
Volume (Total Infiltration)	0.000 ft <sup>3</sup>
Volume (Total Outlet Outflow)	0.000 ft <sup>3</sup>
Volume (Retained)	868,096.000 ft <sup>3</sup>
Volume (Unrouted)	-1.000 ft <sup>3</sup>
Error (Mass Balance)	0.0 %

---

Subsection: Pond Inflow Summary  
Label: Basin (IN)

Return Event: 2 years  
Storm Event:

### Summary for Hydrograph Addition at 'Basin'

Upstream Link	Upstream Node
<Catchment to Outflow Node>	Site Runoff

### Node Inflows

Inflow Type	Element	Volume (ft <sup>3</sup> )	Time to Peak (min)	Flow (Peak) (ft <sup>3</sup> /s)
Flow (From)	Site Runoff	38,580.000	5	32.15
Flow (In)	Basin	38,580.000	5	32.15

Subsection: Pond Inflow Summary  
Label: Basin (IN)

Return Event: 15 years  
Storm Event:

### Summary for Hydrograph Addition at 'Basin'

Upstream Link	Upstream Node
<Catchment to Outflow Node>	Site Runoff

### Node Inflows

Inflow Type	Element	Volume (ft <sup>3</sup> )	Time to Peak (min)	Flow (Peak) (ft <sup>3</sup> /s)
Flow (From)	Site Runoff	62,256.000	5	51.88
Flow (In)	Basin	62,256.000	5	51.88

Subsection: Pond Inflow Summary  
Label: Basin (IN)

Return Event: 25 years  
Storm Event:

### Summary for Hydrograph Addition at 'Basin'

Upstream Link	Upstream Node
<Catchment to Outflow Node>	Site Runoff

### Node Inflows

Inflow Type	Element	Volume (ft <sup>3</sup> )	Time to Peak (min)	Flow (Peak) (ft <sup>3</sup> /s)
Flow (From)	Site Runoff	76,824.000	5	64.02
Flow (In)	Basin	76,824.000	5	64.02

Subsection: Pond Inflow Summary  
Label: Basin (IN)

Return Event: 100 years  
Storm Event:

### Summary for Hydrograph Addition at 'Basin'

Upstream Link	Upstream Node
<Catchment to Outflow Node>	Site Runoff

### Node Inflows

Inflow Type	Element	Volume (ft <sup>3</sup> )	Time to Peak (min)	Flow (Peak) (ft <sup>3</sup> /s)
Flow (From)	Site Runoff	98,292.000	5	81.91
Flow (In)	Basin	98,292.000	5	81.91

Subsection: Pond Inflow Summary  
Label: Basin (IN)

Return Event: 100 years  
Storm Event:

### Summary for Hydrograph Addition at 'Basin'

Upstream Link	Upstream Node
<Catchment to Outflow Node>	Site Runoff

### Node Inflows

Inflow Type	Element	Volume (ft <sup>3</sup> )	Time to Peak (min)	Flow (Peak) (ft <sup>3</sup> /s)
Flow (From)	Site Runoff	98,292.000	5	81.91
Flow (In)	Basin	98,292.000	5	81.91



# Index

## B

Basin (Elevation-Area Volume Curve)...

Basin (Elevation-Area Volume Curve, 2 years)...6

Basin (Elevation-Volume-Flow Table (Pond))...

Basin (Elevation-Volume-Flow Table (Pond), 100 years)...83, 84, 85, 86, 87, 88, 89, 90, 91

Basin (Elevation-Volume-Flow Table (Pond), 15 years)...65, 66, 67, 68, 69, 70, 71, 72, 73

Basin (Elevation-Volume-Flow Table (Pond), 2 years)...56, 57, 58, 59, 60, 61, 62, 63, 64

Basin (Elevation-Volume-Flow Table (Pond), 25 years)...74, 75, 76, 77, 78, 79, 80, 81, 82

Basin (IN) (Level Pool Pond Routing Summary)...

Basin (IN) (Level Pool Pond Routing Summary, 100 years)...95, 96

Basin (IN) (Level Pool Pond Routing Summary, 15 years)...93

Basin (IN) (Level Pool Pond Routing Summary, 2 years)...92

Basin (IN) (Level Pool Pond Routing Summary, 25 years)...94

Basin (IN) (Pond Inflow Summary)...

Basin (IN) (Pond Inflow Summary, 100 years)...100, 101

Basin (IN) (Pond Inflow Summary, 15 years)...98

Basin (IN) (Pond Inflow Summary, 2 years)...97

Basin (IN) (Pond Inflow Summary, 25 years)...99

Basin (Volume Equations)...

Basin (Volume Equations, 2 years)...7

## L

LFB (Composite Rating Curve)...

LFB (Composite Rating Curve, 100 years)...11, 12, 13, 14, 15, 16, 17, 18, 19, 20, 21, 22, 23, 24, 25, 26, 27

LFB (Outlet Input Data)...

LFB (Outlet Input Data, 100 years)...8, 9, 10

## M

Master Network Summary...1

## O

OS 101 (Composite Rating Curve)...

OS 101 (Composite Rating Curve, 2 years)...31, 32, 33, 34, 35, 36, 37, 38, 39, 40, 41, 42, 43, 44, 45, 46, 47, 48, 49, 50, 51, 52, 53, 54, 55

OS 101 (Outlet Input Data)...

OS 101 (Outlet Input Data, 2 years)...28, 29, 30

S

Site Runoff (Read Hydrograph)...

Site Runoff (Read Hydrograph, 100 years)...5

Site Runoff (Read Hydrograph, 15 years)...3

Site Runoff (Read Hydrograph, 2 years)...2

Site Runoff (Read Hydrograph, 25 years)...4