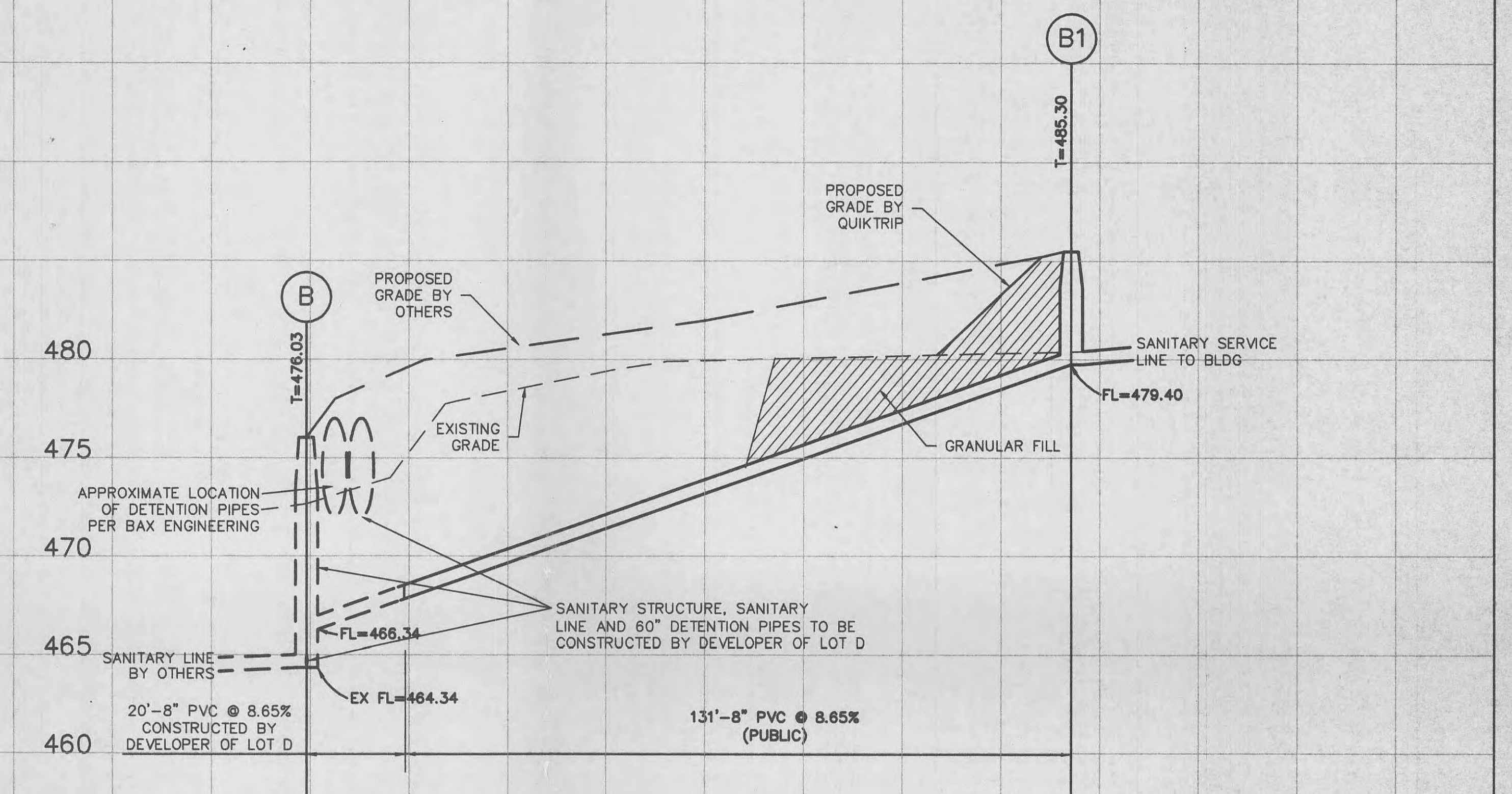


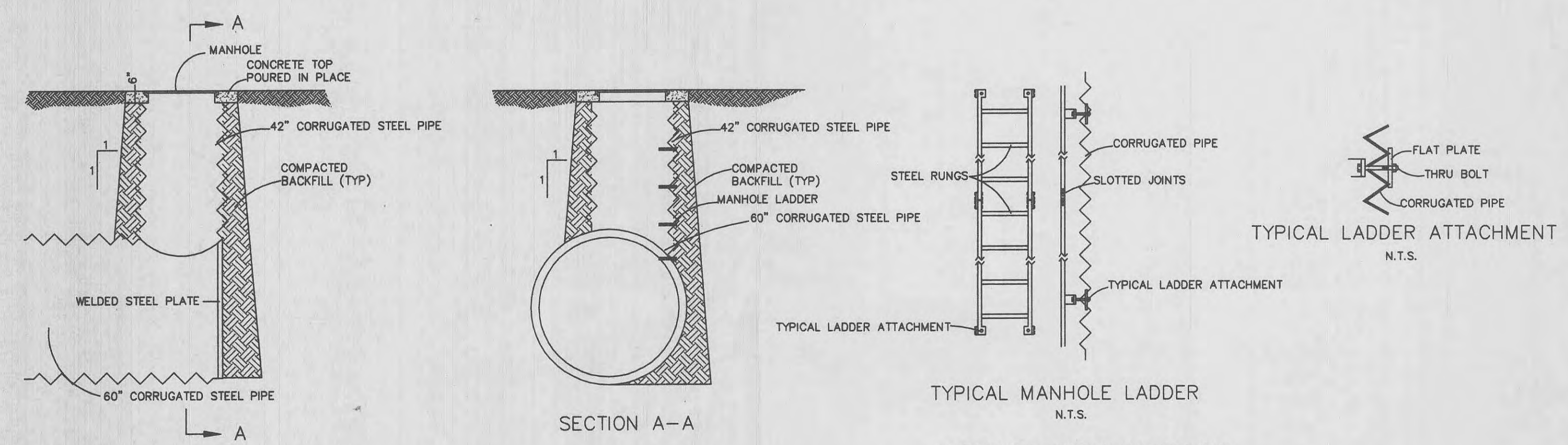
STORM SEWER PROFILES

SCALE: HORIZ 1"=20'
VERT 1"=5'



SANITARY SEWER PROFILE

SCALE: HORIZ 1"=20'
VERT 1"=5'



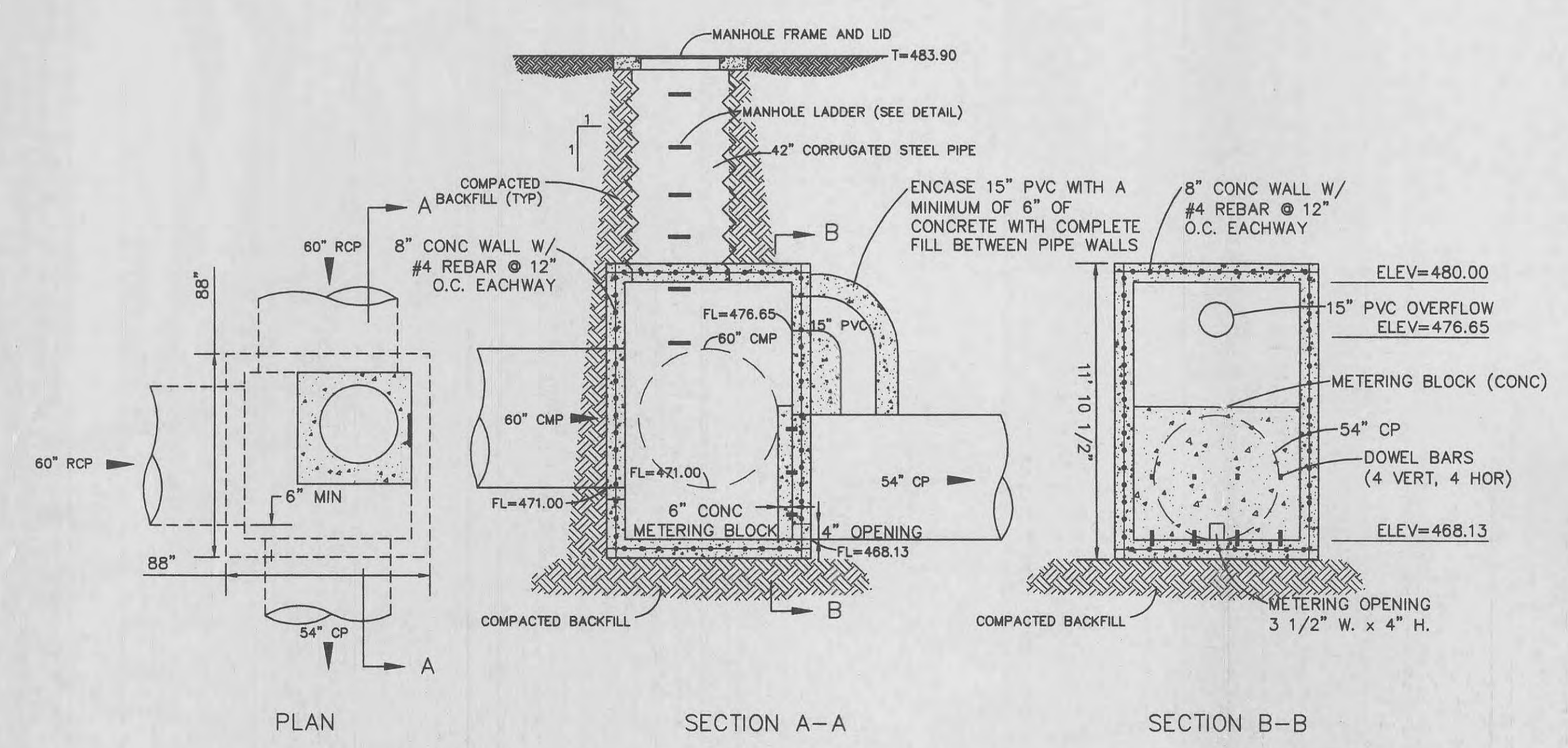
MANHOLE STRUCTURE OVER STEEL PIPE

N.T.S.

TYPICAL MANHOLE LADDER

N.T.S.

- LADDER MAY BE CONSTRUCTED IN ONE LENGTH.
- USE BOLTS WITH DOUBLE NUTS TO CONNECT SPICE PLATE AT LADDER JOINT TO ALLOW VERTICAL MOVEMENT.
- HOT DIP GALVANIZING OF ALL LADDER COMPONENTS IS RECOMMENDED.



OUTFALL STRUCTURE

N.T.S.

REVISIONS	
2	2/28/01 A/JM REVISED SANITARY PROFILE
1	12/12/00 A/JM REVISED PER QUIKTRIP

QT QUIKTRIP CORPORATION
2255 BLUESTONE DRIVE
ST. CHARLES, MO. 63303
PH # (636) 916-5706
FAX # (636) 916-5754

**QUIKTRIP #640
SEWER PROFILES/ DETAILS**

801 BELLEAU CREEK ROAD O'FALLON, MISSOURI 63366

Designed	EJK/AJM
Drawn	DAC
Checked	DAC
Date	10/10/00
Project Number	99301
Sheet Number	8 of 11

